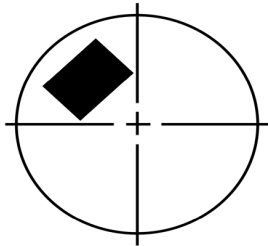
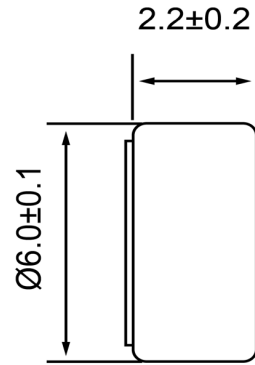


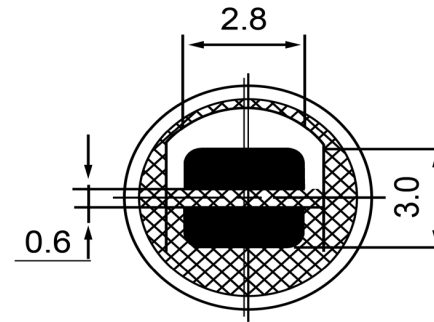
TOP VIEW




SIDE VIEW



BOTTOM VIEW



Specifications			Notes	Revision History						
Description	Value	Unit		Version	Description		Date	Approved		
Directivity	Omnidirectional		1) All dimensions are in mm unless otherwise noted 2) All parts meet RoHS	1	Released from Engineering		10/21/2013	J.S		
Technology	Electret Condenser									
Sensitivity	-40	(dB)								
Frequency Range	50 ~ 16,000	(Hz)								
Rated Voltage	2	(V)								
Output Impedance	2,200	(Ohm)								
Connection Method	Solder Pads									
Voltage Range	1 ~ 10	(V)								
Max Rated Current	0.5	(mA)								
Minimum Signal to Noise Ratio	>60	(dB)								
Operating Temperature	-10 ~ +50	°C								
Storage Temperature	-20 ~ +60	°C								
 DB UNLIMITED			Electret Condenser Microphone			MO064002-1				

Additional considerations can be found at www.dbunlimitedco.com/technical-articles.