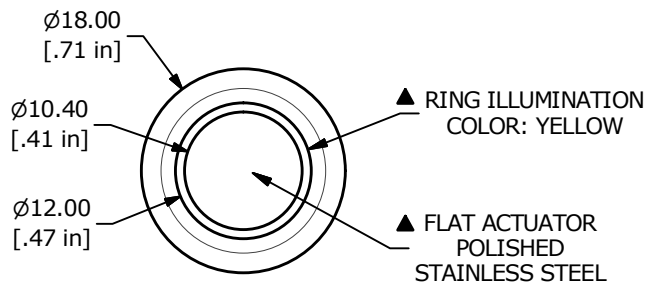


PANEL CUTOUT
MAX. PANEL THICKNESS
14.0mm [.55]

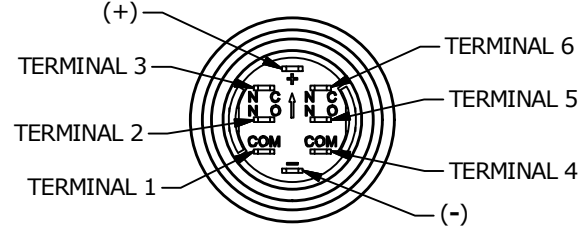
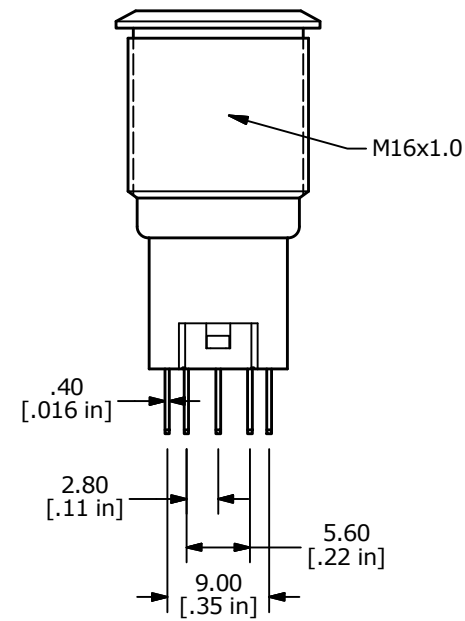
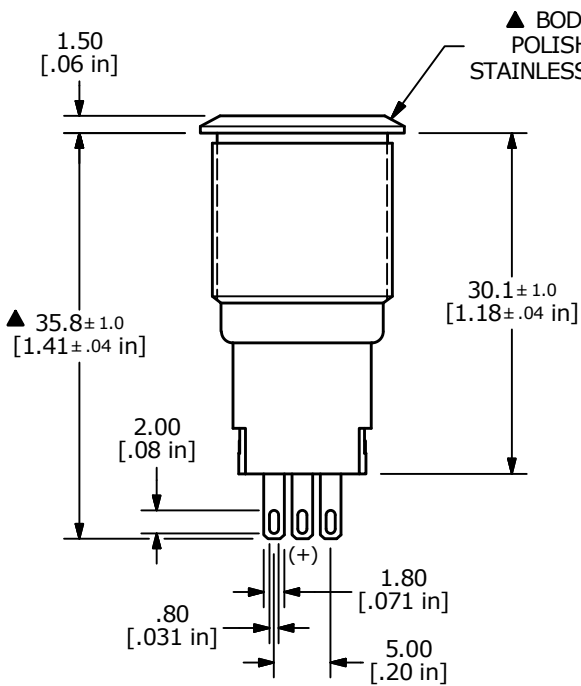
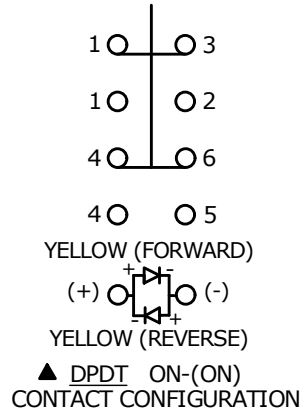


▲ RING ILLUMINATION
COLOR: YELLOW

▲ FLAT ACTUATOR
POLISHED
STAINLESS STEEL

▲ BODY
POLISHED
STAINLESS STEEL

SWITCH FUNCTION	
POS. 1	POS. 2
ON	(ON)
1-3, 4-6	1-2, 4-5



- NOTE:
- ALL DIMENSIONS IN MM [INCH]
 - GENERAL TOLERANCE: X.X = ±0.4
X.XX = ±0.25
 - TERMINAL NUMBERS FOR REF ONLY
 - CONTACT MATERIAL: SILVER
 - RATING: 2A 48VDC
 - ELECTRIC LIFE: 50,000 MAKE-AND-BREAK CYCLES AT FULL LOAD.
 - INSULATION RESISTANCE: 1,000 MΩ MIN.
 - DIELECTRIC STRENGTH: 2,000 VAC MIN. FOR 1 MINUTE
 - CONTACT RESISTANCE: 50mΩ MAX. @ 1A 12VDC
 - OPERATING TEMP.: -20°C to 55°C
 - ▲ DENOTES CRITICAL PARAMETER.
 - HARDWARE SUPPLIED: O-RING AND HEXNUT
 - INGRESS RATING: IP40
 - LAMP VOLTAGE: 24V

REV	PCR NO	DESCRIPTION	DATE	BY
G	23622	update +/- Terminals	2/25/19	MW
F	23363	UPDATED RATING TO 2A 48VDC	5/11/18	MJR
E	22886	UPDATED RATING TO 1A 24VDC	6/19/17	MJR

E-SWITCH®

TITLE PV3F2H0SS-355

SCALE 3:2	DATE 1/26/2012	DR BMA	DWG 52-PV3F2H0SS355	REV G
-----------	----------------	--------	---------------------	-------