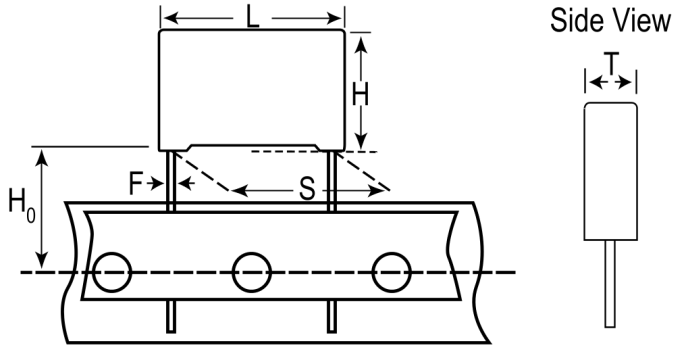


R46KF3100CKP1M

Aliases (46KF3100CKP1M)

R46 275 VAC MINI, Film, Metallized Polypropylene, Safety, 0.1 uF, 20%, 275 VAC (X2), 560 VDC, 110°C, Lead Spacing = 10mm



Click [here](#) for the 3D model.

Dimensions

| | |
|----|------------------|
| L | 13mm +0.2/-0.5mm |
| H | 11mm +0.1/-0.5mm |
| T | 5mm +0.2/-0.5mm |
| S | 10mm +0.6/-0.1mm |
| H0 | 18.5mm +/-0.5mm |
| F | 0.6mm +/-0.05mm |

Packaging Specifications

| | |
|--------------------|------------|
| Packaging | T&R, Large |
| Packaging Quantity | 1250 |

General Information

| | |
|------------------|--------------------------|
| Series | R46 275 VAC MINI |
| Dielectric | Metallized Polypropylene |
| Style | Radial |
| Features | EMI Safety |
| RoHS | Yes |
| Lead | Wire Leads |
| Safety Class | X2 |
| Qualifications | ENEC, UL, cUL, CQC |
| AEC-Q200 | No |
| THB Performance | No |
| Component Weight | 1.194 g |

Specifications

| | |
|-----------------------|--------------|
| Capacitance | 0.1 uF |
| Capacitance Tolerance | 20% |
| Voltage AC | 275 VAC (X2) |
| Voltage DC | 560 VDC |
| Temperature Range | -40/+110°C |
| Rated Temperature | 110°C |
| Dissipation Factor | 0.1% 1kHz |
| Insulation Resistance | 100 GOhms |
| Max dV/dt | 500 V/us |