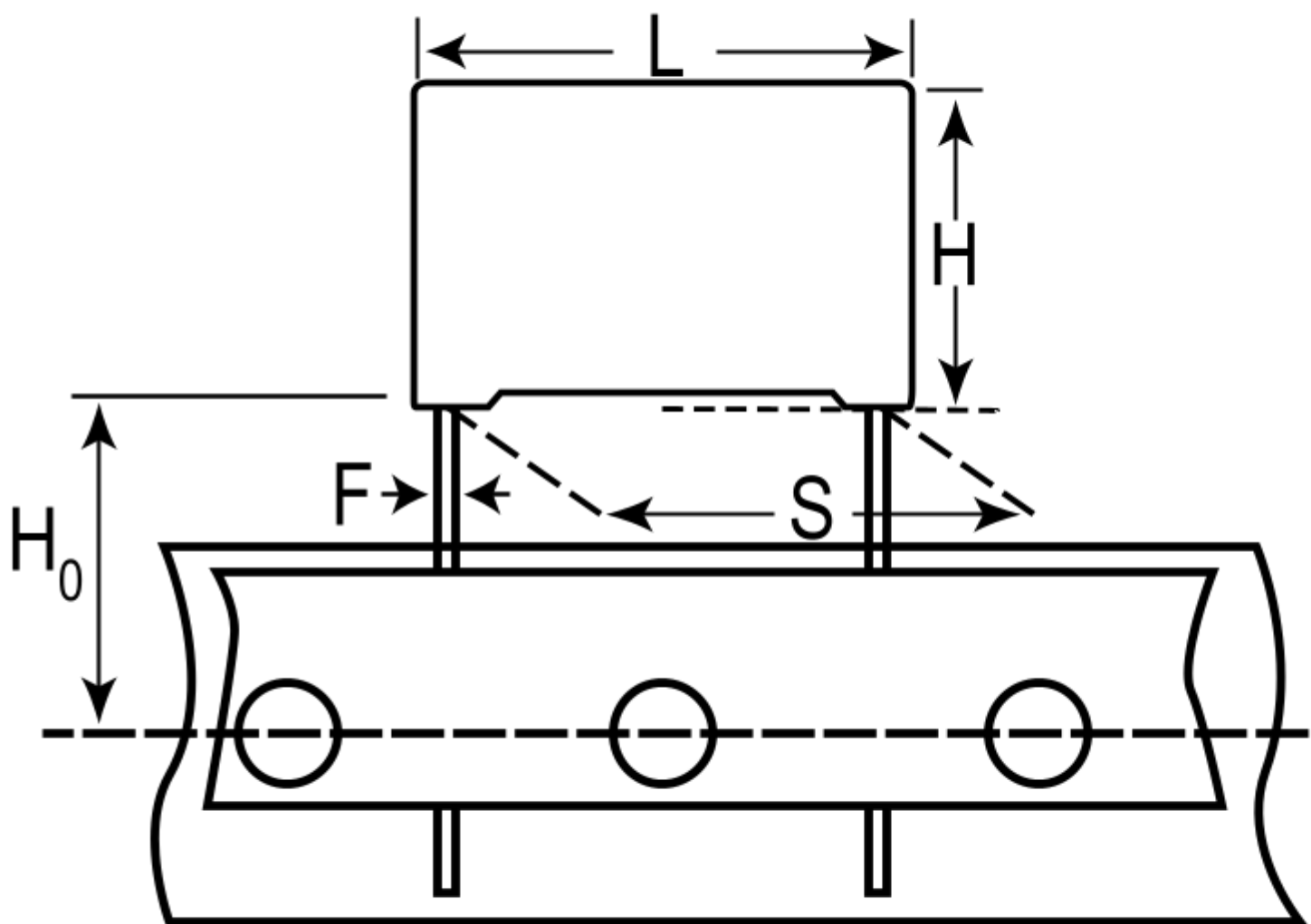


R474I2330CK01M

Aliases (474I2330CK01M)

Not for New Design

R47 X2 440 VAC, Film, Metallized Polypropylene, Automotive Safety, 0.033 uF, 20%, 440 VAC (X2), 1000 VDC, 110°C, Lead Spacing = 15mm



Click [here](#) for the 3D model.

Dimensions

L	18mm +0.3/-0.5mm
H	12mm +0.1/-0.5mm
T	6mm +0.2/-0.5mm
S	15mm +/-0.4mm
H0	18.5mm +/-0.5mm
F	0.6mm +/-0.05mm

Packaging Specifications

Packaging	T&R, Large
Packaging Quantity	1000

General Information

Series	R47 X2 440 VAC
Dielectric	Metallized Polypropylene
Style	Radial
Features	Automotive Grade, EMI Safety
RoHS	Yes
Lead	Wire Leads
Safety Class	X2
Qualifications	AEC-Q200, ENEC, UL, cUL
AEC-Q200	Yes
THB Performance	Yes

Specifications

Capacitance	0.033 uF
Capacitance Tolerance	20%
Voltage AC	440 VAC (X2)
Voltage DC	1000 VDC
Temperature Range	-40/+110°C
Rated Temperature	110°C
Dissipation Factor	0.3% 1KHz
Insulation Resistance	100 GOhms
Max dV/dt	600 V/us

Statements of suitability for certain applications are based on our knowledge of typical operating conditions for such applications, but are not intended to constitute - and we specifically disclaim - any warranty concerning suitability for a specific customer application or use. This Information is intended for use only by customers who have the requisite experience and capability to determine the correct products for their application. Any technical advice inferred from this Information or otherwise provided by us with reference to the use of our products is given gratis, and we assume no obligation or liability for the advice given or results obtained.

Generated 5/18/2023 - 774aea4a-99e2-46a1-a9ea-395f5c338d99

© 2006 - 2023 KEMET

Generated 5/18/2023 - 774aea4a-99e2-46a1-a9ea-395f5c338d99

© 2006 - 2023 KEMET