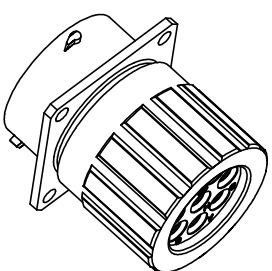
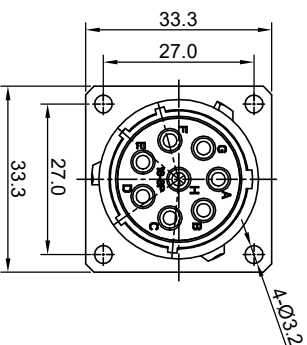
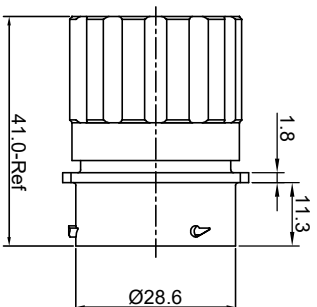
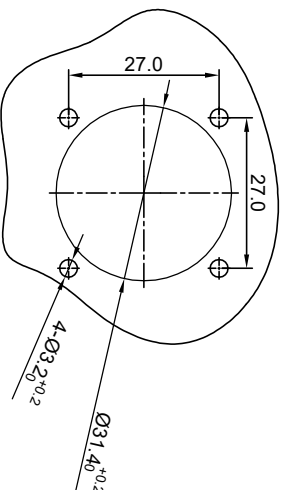


REVISIONS				
REV	ECO	DESCRIPTION	DATE	BY APPR
B1	-	RELEASED DRAWING	Nov-23-2014	Ben Tommy
B2	-	UPDATE THE VOLTAGE	Dec-3-2019	Flan Tommy



NOTES: (UNLESS OTHERWISE SPECIFIED)

- MATERIAL:
 - SHELL: ZINC ALLOY, NICKEL PLATED.
 - INSERT: THERMOPLASTIC, UL94 V-0.
 - END CAP: THERMOPLASTIC, UL94 V-0.
 - PLASTIC BUSHING: THERMOPLASTIC, UL94 V-0.
 - SEAL GASKET: NBR/SILICONE RUBBER.
 - O-RING: NBR/SILICONE RUBBER.
 - WIRE SEAL: SILICONE RUBBER.
- SPECIFICATIONS:
 - 2.1 RATED CURRENT: 23A (MAX).
 - 2.2 RATED VOLTAGE: 500V (AC/DC) . Δ
 - 2.3 OPERATING TEMPERATURE: SEE CHART.
 - 2.4 DIELECTRIC WITHSTANDING VOLTAGE: LESS THAN 2 MILLIAMPS CURRENT LEAKAGE@2000 VOLTS AC.
 - 2.5 INSULATION RESISTANCE: 5000 MEGOHMS MIN.
 - 2.6 IP--CLASS: IP67(MATED CONDITION).
 - 2.7 MATING CYCLES DURABILITY: 500 CYCLES MIN.
 - 2.8 RHHS COMPLIANT
- SUITABLE CONTACTS : 2.5mm CONTACTS.
- ALL DIMENSIONS ARE FOR REFERENCE USE ONLY.
- CONTACT SIZE AND REAR SEAL WIRE RANGE:



PANEL CUT OUT REFERENCE

KEY POS	PART NUMBER	
	-40°C ~ 105°C	-40°C ~ 125°C
N	RT00188PNHEC	RT00188PNHEC03
W	RT00188PWHEC	RT00188PWHEC03
X	RT00188PXHEC	RT00188PXHEC03
Y	RT00188PYHEC	RT00188PYHEC03
Z	RT00188PZHEC	RT00188PZHEC03

QUANTITY	SEE PART NUMBER CHART	PART NUMBER	DESCRIPTION	ITEM
MATERIALS LIST				

UNLESS OTHERWISE SPECIFIED	
1) All dimensions are in millimeters.	DRAWN: Ril DATE: 06-3-2019
2) Tolerances are as follows:	CHECKED: MWh DATE: 06-3-2019
3) Fit: DEC 2019	ENGINEER: Tommy
4) Note reference = Δ	APPROVE: Tommy DATE: 06-3-2019

PROCESS SPECIFICATIONS		CUSTOMER		ECO-MATE RECEPTACLE, SIZE 18, 8POS.PIN, END CAP.	
NEXT ASBY				SIZE TYPE	REVISION
				B	B2
				C-	
				RT00188P*HEC*	
				SCALE NONE	SHEET 1 OF 1

Amphenol
 Sine Systems - www.amphenol-sine.com
 44724 Montley Drive
 Clinton Township, MI 48038