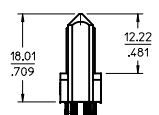
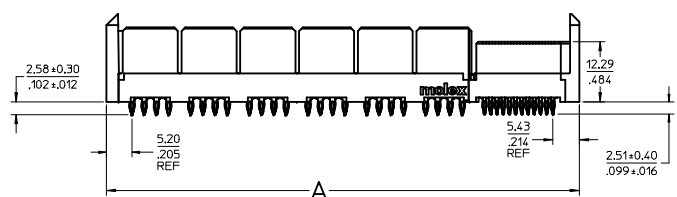
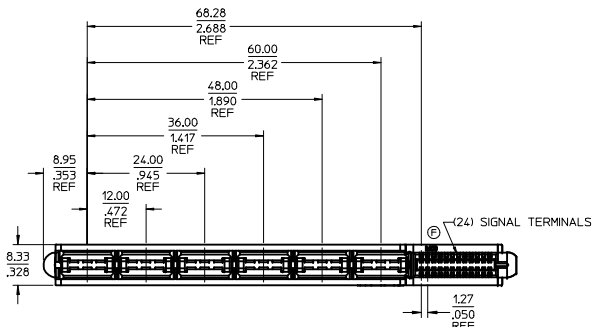
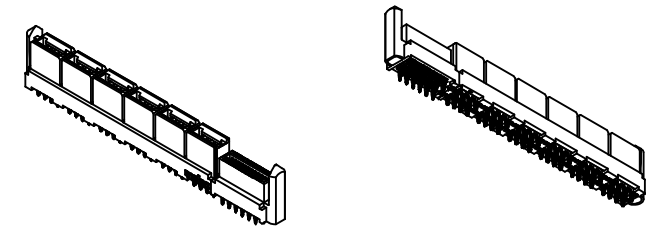
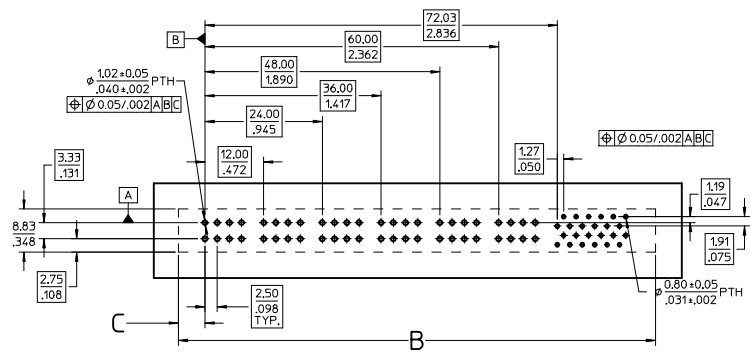


NO OF SIGNALS	MATERIAL NUMBER	COMPLIANT PIN PLATING	DIM A	DIM B	DIM C
12	46114-1212	TIN	89.01/3.504	89.51/3.524	5.45/2.15
16	46114-1216	TIN	91.55/3.604	92.05/3.624	
20	46114-1220	TIN	94.09/3.704	94.59/3.724	
24	46114-1224	TIN	96.63/3.804	97.13/3.824	
28	46114-1228	TIN	99.17/3.904	99.67/3.924	
32	46114-1232	TIN	101.71/4.004	102.21/4.024	
36	46114-1236	TIN	104.25/4.104	104.75/4.124	
40	46114-1240	TIN	106.79/4.204	107.29/4.224	



- NOTES:
 1. MATERIAL: HOUSING: LCP, 94-V0, COLOR: BLACK.
 POWER CONTACTS: COPPER ALLOY;
 SIGNAL CONTACTS: MODIFIED TIN BRASS.
 2. FINISH: SELECT GOLD - 0.75 μM/30 μ INCHES
 SELECTED TIN - 2.50 μM/100 μ INCHES
 BOTH OVER NICKEL - 1.25 μM/50 μ INCHES
 3. POWER TERMINALS ARE LUBRICATED IN CONTACT AREA.
 4. PARTS ARE ROHS COMPLIANT.
 5. MATES TO MOLEX P/N 45995-SERIES OR EDGE CARD 157/062.
 6. PRODUCT SPECIFICATION PS-46114-001.
 7. PACKAGING: PER PK-46114-003.

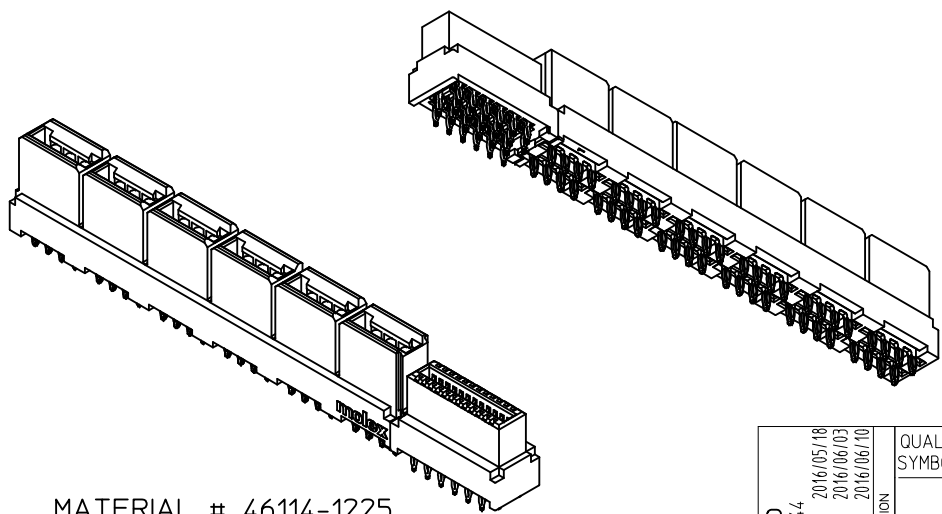
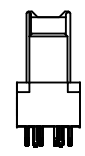
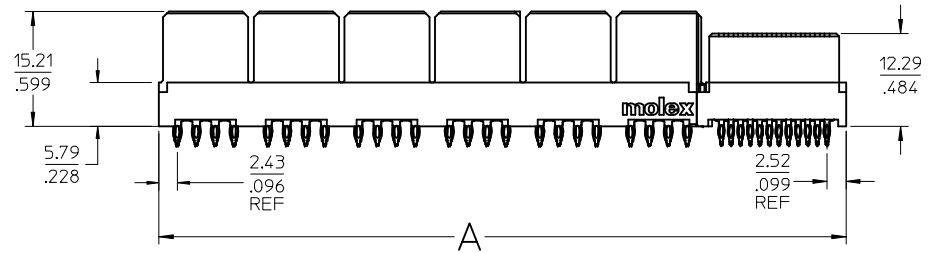
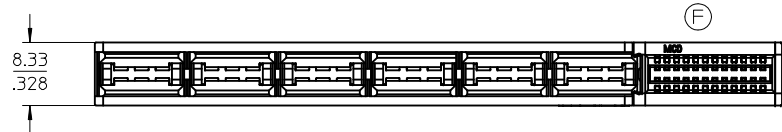


MATERIAL # 46114-1224
 SHOWN

UPDATE LOGO IEC NO: S2016-1044 DRAWN BY: TDRWALLING 2016/05/18 CHYKJ:ZENG 2016/06/03 APPROVAL: APPR:KHLIM 2016/06/10	QUALITY SYMBOLS	GENERAL TOLERANCES (UNLESS SPECIFIED)	DIMENSION STYLE	SCALE	DESIGN UNITS	THIRD ANGLE PROJECTION	
	▼=0 ▽=0	mm INCH 4 PLACES ±--- ±--- 3 PLACES ±--- ±.010 2 PLACES ±0.25 ±--- 1 PLACE ±--- ±--- ANGULAR ±1/2°	MM/IN	2:1	METRIC	DRAWN BY: MKARADI MAS DATE: 2007/07/18 CHECKED BY: APATEL DATE: 2007/07/20 APPROVED BY: JCOMERCJ DATE: 2009/12/03	TITLE: LPH VERTICAL RECEPTACLE COMPLIANT PIN ASSEMBLY 12CKT PWR CON, PRESS FIT MOLEX INCORPORATED MATERIAL NO. SD-46114-120 DOCUMENT NO.
	DRAFT WHERE APPLICABLE MUST REMAIN WITHIN DIMENSIONS	SEE CHART	SIZE D	THIS DRAWING CONTAINS INFORMATION THAT IS PROPRIETARY TO MOLEX INCORPORATED AND SHOULD NOT BE USED WITHOUT WRITTEN PERMISSION			
						SHEET NO. 1 OF 3	

13 12 11 10 9 8 7 6 5 4 3 2 1

J
I
H
G
F
E
D
C
B
A

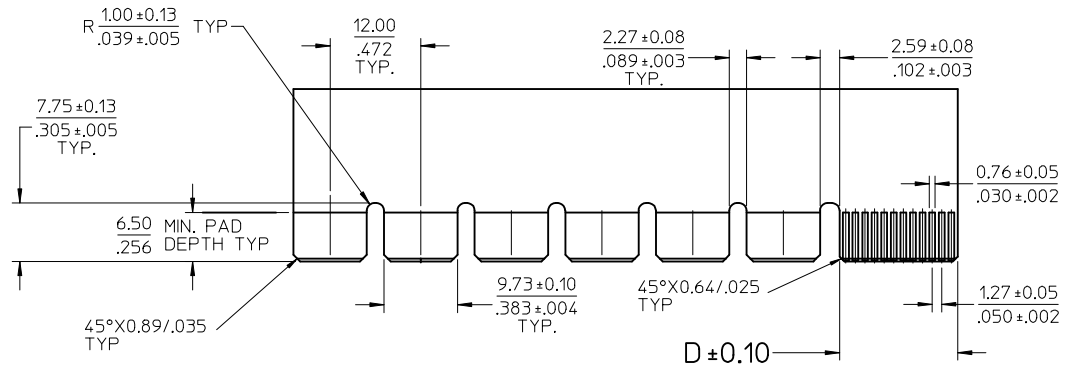
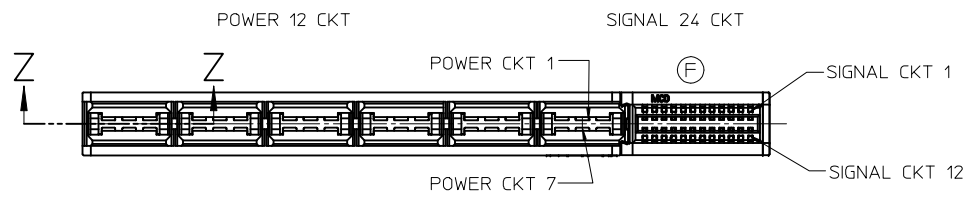


MATERIAL # 46114-1225
SHOWN

NO OF SIGNALS	MATERIAL NUMBER	COMPLIANT PIN PLATING	DIM A	DIM B	DIM C
12	46114-1213	TIN	83.34/3.281	84.84/3.301	2.69/106
16	46114-1217	TIN	85.88/3.381	86.38/3.401	
20	46114-1221	TIN	88.42/3.481	88.92/3.501	
24	46114-1225	TIN	90.96/3.581	91.46/3.601	
28	46114-1229	TIN	93.50/3.681	94.00/3.701	
32	46114-1233	TIN	96.04/3.781	96.54/3.801	
36	46114-1237	TIN	98.58/3.881	99.08/3.901	
40	46114-1241	TIN	101.12/3.981	102.62/4.001	

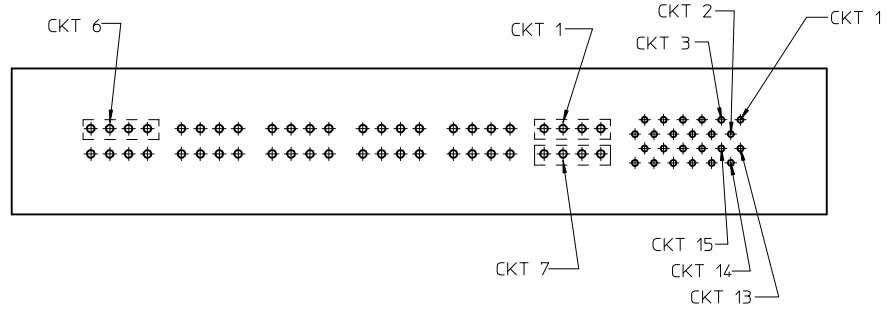
UPDATE LOGO EC NO: S2016-1044 DRW: NALIN06 CHKD: JZENG APPR: KHLIM	2016/05/18 2016/06/03 2016/06/10	QUALITY SYMBOLS	GENERAL TOLERANCES (UNLESS SPECIFIED)	DIMENSION STYLE MM/IN	SCALE 2:1	DESIGN UNITS METRIC	THIRD ANGLE PROJECTION
	DESCRIPTION	4 PLACES ± --- INCH 3 PLACES ± --- ±.010 2 PLACES ± 0.25 ± --- 1 PLACE ± --- ± ---	DRAWN BY MKARADIMAS	DATE 2007/07/18	TITLE LPH VERTICAL RECEPTACLE COMPLIANT PIN ASSEMBLY 12CKT PWR CON, PRESS FIT		
	REV	ANGULAR ± 1/2°	CHECKED BY APATEL	DATE 2007/07/20	MOLEX INCORPORATED		
	MATERIAL NO. SEE CHART	DRAFT WHERE APPLICABLE MUST REMAIN WITHIN DIMENSIONS	APPROVED BY JCOMERC I	DATE 2009/12/03	DOCUMENT NO. SD-46114-120	SHEET NO. 2 OF 3	

NO OF SIGNAL	DIM. D
12	8.00/.315
16	10.54/.415
20	13.08/.515
24	15.62/.615
28	18.16/.715
32	20.70/.815
36	23.24/.915
40	25.78/1.015

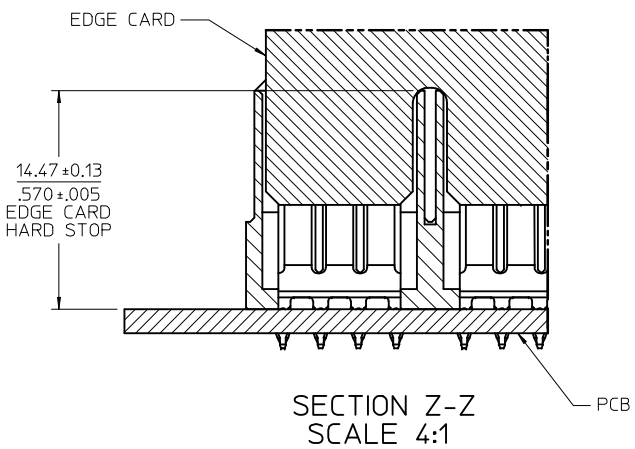


RECOMMENDED EDGE CARD LAYOUT
EDGE CARD THICKNESS: 1.57/.062 ± 0.15/.006
PLATING: GOLD 30 μ INCHES MIN.
OVER 150 μ INCHES NICKEL.

45°X0.38/.015 TYP



PCB LAYOUT: COMPONENT SIDE
SEE SHT 1 FOR DIMENSIONS



UPDATE LOGO EC NO: S2016-1044 2016/05/18 DRW: NALIN06 2016/06/03 CHKD: JZENG APPR: KHILIM 2016/06/10	QUALITY SYMBOLS	GENERAL TOLERANCES (UNLESS SPECIFIED)	DIMENSION STYLE MM/IN	SCALE 2:1	DESIGN UNITS METRIC	THIRD ANGLE PROJECTION															
		<table border="1"> <tr> <th></th> <th>mm</th> <th>INCH</th> </tr> <tr> <td>4 PLACES ±</td> <td>---</td> <td>±---</td> </tr> <tr> <td>3 PLACES ±</td> <td>---</td> <td>±.010</td> </tr> <tr> <td>2 PLACES ±</td> <td>0.25</td> <td>±---</td> </tr> <tr> <td>1 PLACE ±</td> <td>---</td> <td>±---</td> </tr> </table>		mm	INCH	4 PLACES ±	---	±---	3 PLACES ±	---	±.010	2 PLACES ±	0.25	±---	1 PLACE ±	---	±---	DRAWN BY: MKARADIMAS DATE: 2007/07/18 CHECKED BY: APATEL DATE: 2007/07/20 APPROVED BY: JCOMERCI DATE: 2009/12/03	TITLE: LPH VERTICAL RECEPTACLE COMPLIANT PIN ASSEMBLY 12CKT PWR CON, PRESS FIT		
		mm	INCH																		
	4 PLACES ±	---	±---																		
3 PLACES ±	---	±.010																			
2 PLACES ±	0.25	±---																			
1 PLACE ±	---	±---																			
	ANGULAR ±1/2°	MATERIAL NO.	MOLEX INCORPORATED DOCUMENT NO. SD-46114-120		SHEET NO. 3 OF 3																
	DRAFT WHERE APPLICABLE MUST REMAIN WITHIN DIMENSIONS	SEE CHART		THIS DRAWING CONTAINS INFORMATION THAT IS PROPRIETARY TO MOLEX INCORPORATED AND SHOULD NOT BE USED WITHOUT WRITTEN PERMISSION																	