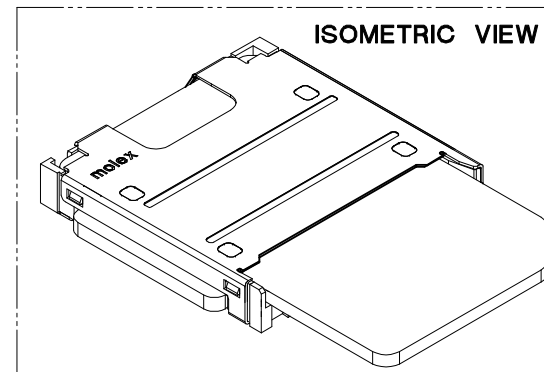


NOTES

1. MATERIALS: SEE TABLE
2. FINISHES: SEE TABLE
3. PRODUCT SPECIFICATION : PS-49362-001
4. COPLANARITY OF SOLDERTAILS : 0.1mm MAX. MISALIGNMENT OF SOLDER TAIL FROM "Z" UPPER DIRECTION 0.05 MAX., LOWER DIRECTION 0.1MAX.
5. PACKAGING SPECIFICATION : PK-49362-001



<p>NEW RELEASE EC NO: KOR2009-0021 DRWN: SUNGHYUK.00 2008/09/01 CHKD: 2008/09/04 APPR: YUNSIKIM 2008/09/04</p>	<p>QUALITY SYMBOLS ▽=0 ∇=0</p>	<table border="1"> <tr> <th>493621411</th> <th>49362-1411</th> </tr> <tr> <th>MATERIAL NO.</th> <th>ORDER NO.</th> </tr> </table>	493621411	49362-1411	MATERIAL NO.	ORDER NO.	<p>GENERAL TOLERANCES (UNLESS SPECIFIED)</p> <table border="1"> <thead> <tr> <th></th> <th>mm</th> <th>INCH</th> </tr> </thead> <tbody> <tr> <td>4 PLACES</td> <td>± ---</td> <td>± ---</td> </tr> <tr> <td>3 PLACES</td> <td>± ---</td> <td>± ---</td> </tr> <tr> <td>2 PLACES</td> <td>± 0.1</td> <td>± ---</td> </tr> <tr> <td>1 PLACE</td> <td>± 0.15</td> <td>± ---</td> </tr> <tr> <td colspan="3">ANGULAR ± 1 °</td> </tr> </tbody> </table>			mm	INCH	4 PLACES	± ---	± ---	3 PLACES	± ---	± ---	2 PLACES	± 0.1	± ---	1 PLACE	± 0.15	± ---	ANGULAR ± 1 °			<p>DIMENSION STYLE: MM ONLY</p> <p>SCALE: 5:1</p> <p>DESIGN UNITS: METRIC</p> <p>THIRD ANGLE PROJECTION</p>	
	493621411	49362-1411																										
	MATERIAL NO.	ORDER NO.																										
		mm	INCH																									
	4 PLACES	± ---	± ---																									
	3 PLACES	± ---	± ---																									
2 PLACES	± 0.1	± ---																										
1 PLACE	± 0.15	± ---																										
ANGULAR ± 1 °																												
<p>DRAWN BY: SHCHU CHECKED BY: DATE</p>		<p>DATE: 2008/08/29</p>		<p>TITLE: MICROSD/SIM COMBO SOCKET -8P/6P</p>																								
<p>APPROVED BY: SJSEH DATE: 2008/08/29</p>		<p>MOLEX INCORPORATED</p>																										
<p>DRAFT WHERE APPLICABLE MUST REMAIN WITHIN DIMENSIONS</p>		<p>MATERIAL NO.: SEE TABLE</p>		<p>DOCUMENT NO.: SD-49362-001</p>																								
<p>THIS DRAWING CONTAINS INFORMATION THAT IS PROPRIETARY TO MOLEX INCORPORATED AND SHOULD NOT BE USED WITHOUT WRITTEN PERMISSION</p>																												

* TABLE 1 : PARTS-LIST

NO.	PART NAME	ENGINEERING NO.	MATERIALS	FINISHES
1	T-CONTACT TERMINAL	49815-8031	PHOS.-BRONZE	Selective-Au over Ni
2	S-CONTACT TERMINAL	49814-8031	BECU-7ALLOY	Selective-Au over Ni
3	T-METAL SHELL	49817-5003	STAINLESS STEEL	Ni OVERALL
4	S-METAL SHELL	49934-5003	STAINLESS STEEL	Ni OVERALL
5	HOUSING	49362-1491	LIQUID CRYSTAL POLYMER	UL94V-0
6	HEART CAM	49363-0001	LIQUID CRYSTAL POLYMER	UL94V-0
7	SWITCH TERMINAL 1	49820-8031	PHOS.-BRONZE	Selective-Au over Ni
8	SWITCH TERMINAL 2	49821-8031	PHOS.-BRONZE	Selective-Au over Ni
9	FITTING NAIL	49819-8003	PHOS.-BRONZE	PURE-Sn over Ni
10	PIN ROD	49225-9002	STAINLESS STEEL	
11	SPRING	49362-9001	STAINLESS STEEL	

* TABLE 2 : REFERENCE

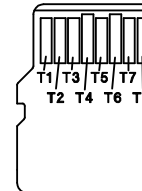
[SIM CARD 6P-PIN-MAP]

PIN NUMBER	DESCRIPTION
S1	Vcc(Voltage)
S2	Vcc(Reset)
S3	CLK
S4	GND
S5	Vpp
S6	I/O

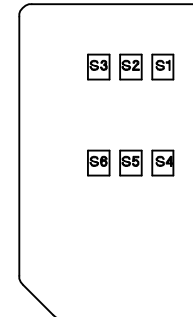
[microSD CARD PIN-MAP]

PIN NUMBER	DESCRIPTION
T1	DAT2
T2	CD/DAT3 ²
T3	CMD
T4	V _{DD}
T5	CLK
T6	V _{SS} ²
T7	DAT0
T8	DAT1

microSD CARD



SIM CARD-6P



NEW RELEASE EC NO: KOR2009-0021 DRWN: SUNGHYUK.00 2008/09/01 CHKD: 2008/09/04 APPR: YUNSIKKIM 2008/09/04	QUALITY SYMBOLS	GENERAL TOLERANCES (UNLESS SPECIFIED) mm INCH 4 PLACES ± --- ± --- 3 PLACES ± --- ± --- 2 PLACES ± 0.1 ± --- 1 PLACE ± 0.15 ± --- ANGULAR ± 1 °	DIMENSION STYLE	SCALE	DESIGN UNITS	THIRD ANGLE PROJECTION	
	DESCRIPTION		MM ONLY	5:1	METRIC		
	REV		DRAWN BY	DATE	TITLE		
	B		CHU	2008/08/29	MICROSD/SIM COMBO SOCKET -8P/6P		
			CHECKED BY	DATE	MOLEX INCORPORATED		
			APPROVED BY	DATE	DOCUMENT NO.		
			SJSEH	2008/08/29	SD-49362-001		
			MATERIAL NO.	SHEET NO.			
			SEE TABLE	2 OF 2			
			SIZE	THIS DRAWING CONTAINS INFORMATION THAT IS PROPRIETARY TO MOLEX INCORPORATED AND SHOULD NOT BE USED WITHOUT WRITTEN PERMISSION			
			A3				