

MATERIALS AND FINISHES

BODY, JAM NUT, CRIMP TUBE: BRASS
PLATED NICKEL

CENTER CONTACT BERYLLIUM COPPER
PLATED GOLD

INSULATORS: TEFLON

CABLE CONTACT: BRASS
PLATED GOLD

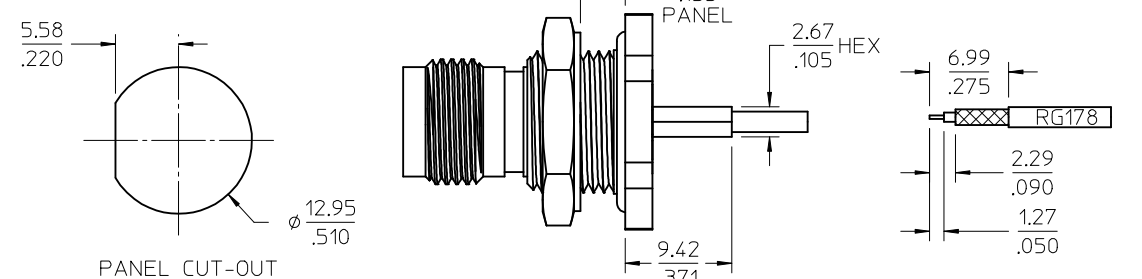
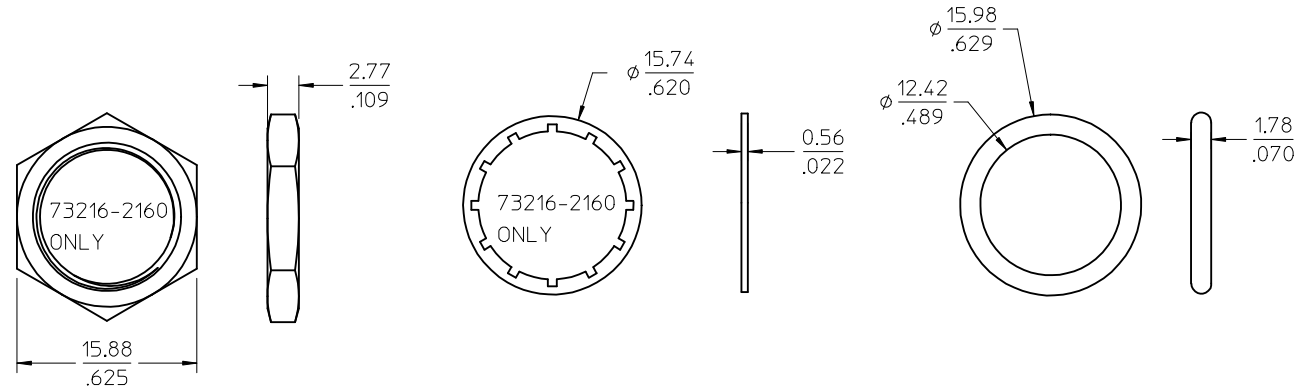
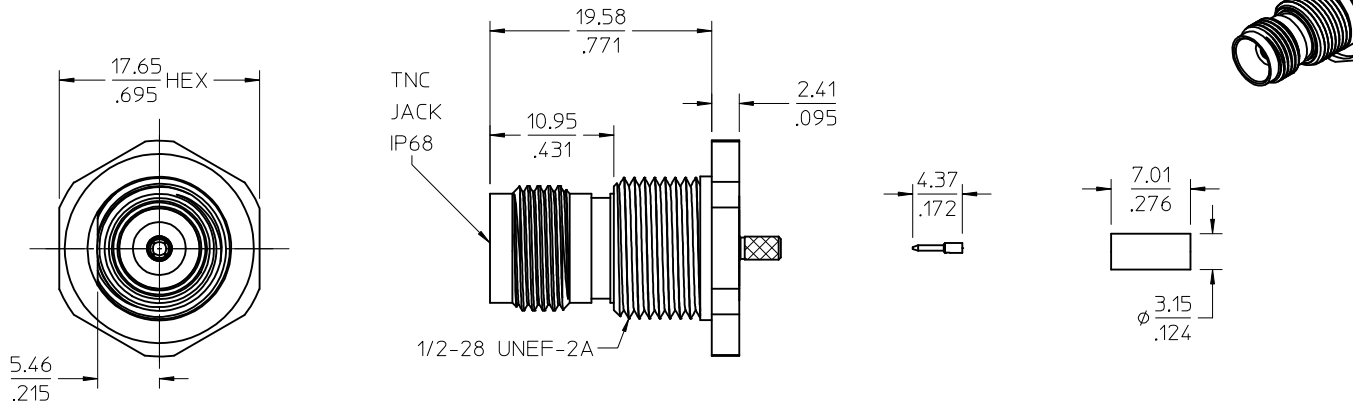
LOCK WASHER: PHOSPHOR BRONZE
PLATED NICKEL

O-RING: SILICONE RUBBER

VSWR: 1.25 MAX (DC TO 3 GHz)

WORKING PRESSURE: 55.2kPa (8.0 PSI) UNMATED

OPERATING TEMPERATURE: -40°C TO +85°C



73216-2161	HARDWARE NOT INCLUDED (JAM NUT & WASHER)
73216-2160	HARDWARE INCLUDED
PART NO.	DESCRIPTION

MIL-STD-348A, FIG. 313.2	INTERFACE
SPECIFICATION	DESCRIPTION

CHG: UPDATED BODY 10.95 WAS 10.49	EC NO: URF2015-0082	2014/08/25
	DRVNSSHAH	2014/08/25
REV	CHKD:ARBERTSON	2014/08/25
	APPR:WSPINK	2014/08/29
DESCRIPTION		
QUALITY SYMBOLS		
GENERAL TOLERANCES (UNLESS SPECIFIED)		
DIMENSION STYLE MM/IN		
SCALE		
DESIGN UNITS METRIC		
THIRD ANGLE PROJECTION		
DRAWN BY DATE		
CHECKED BY DATE		
APPROVED BY DATE		
MATERIAL NO.		
DOCUMENT NO.		
SHEET NO.		

4 PLACES	± .005	± .005
3 PLACES	± .005	± .005
2 PLACES	± .005	± .005
1 PLACE	± .005	± .005
ANGULAR ± 2 °		

DRAFT WHERE APPLICABLE
MUST REMAIN
WITHIN DIMENSIONS

DRAWN BY DATE	
CHECKED BY DATE	
APPROVED BY DATE	
MATERIAL NO.	
DOCUMENT NO.	
SHEET NO.	

TITLE
TNC JACK ISOLATED GROUND
BLKD IP68 REAR MNT RG178
TNC-JC, EWR-4053

MOLEX MOLEX INCORPORATED

SD-73216-216

1 OF 1

MATERIALS AND FINISHES

BODY, JAM NUT, CRIMP TUBE: BRASS
PLATED NICKEL

CENTER CONTACT BERYLLIUM COPPER
PLATED GOLD

INSULATORS: TEFLON

CABLE CONTACT: BRASS
PLATED GOLD

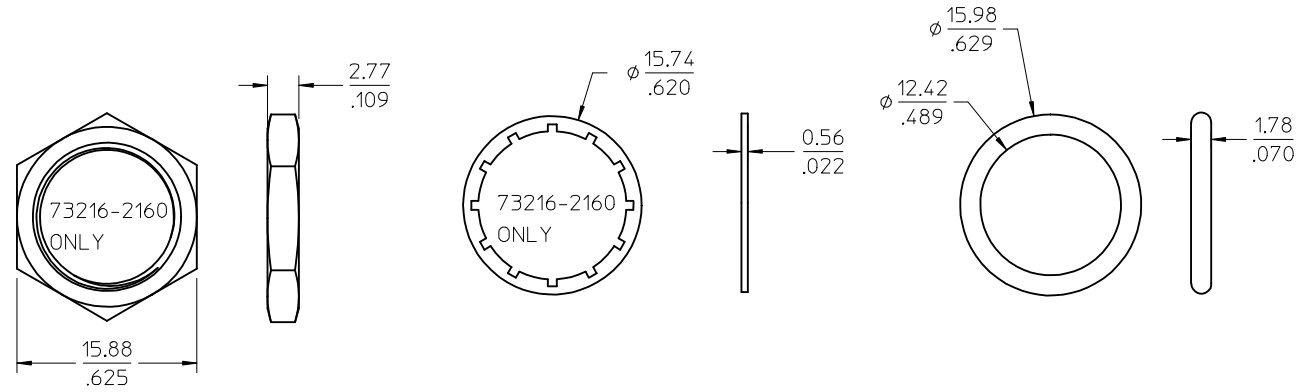
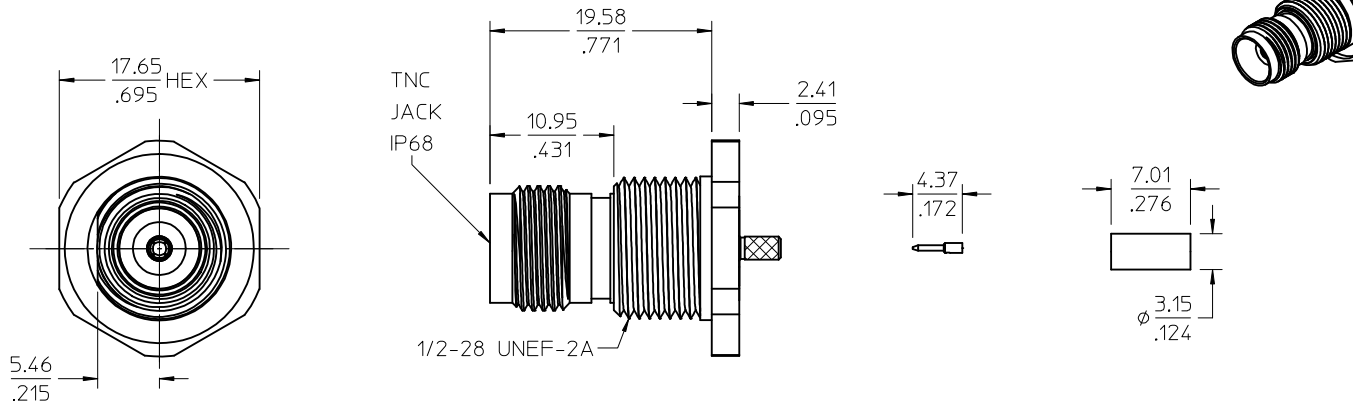
LOCK WASHER: PHOSPHOR BRONZE
PLATED NICKEL

O-RING: SILICONE RUBBER

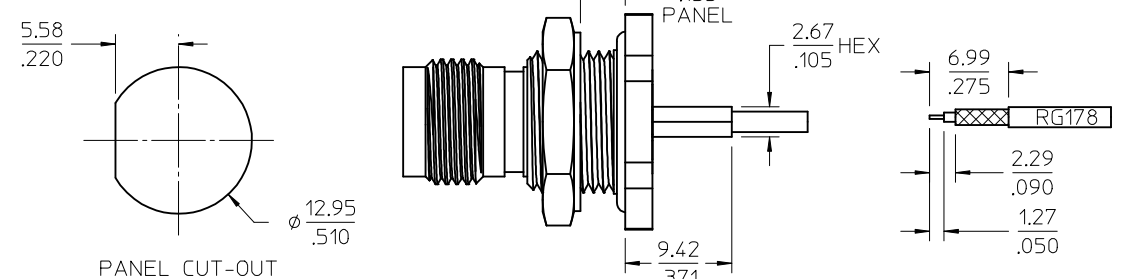
VSWR: 1.25 MAX (DC TO 3 GHz)

WORKING PRESSURE: 55.2kPa (8.0 PSI) UNMATED

OPERATING TEMPERATURE: -40°C TO +85°C



73216-2161	HARDWARE NOT INCLUDED (JAM NUT & WASHER)
73216-2160	HARDWARE INCLUDED
PART NO.	DESCRIPTION



MIL-STD-348A, FIG. 313.2	INTERFACE
SPECIFICATION	DESCRIPTION

CHG: UPDATED BODY 10.95 WAS 10.49 EC NO: URF2015-0082 DRVNSSHAH 2014/08/25 CHKD:ROBERTSON 2014/08/25 APPR:WSPINK 2014/08/29 DESCRIPTION REV: B1	QUALITY SYMBOLS ▽=0 ▽=0	GENERAL TOLERANCES (UNLESS SPECIFIED) <table border="1"> <tr> <th></th> <th>mm</th> <th>INCH</th> </tr> <tr> <td>4 PLACES</td> <td>± .005</td> <td>± .0005</td> </tr> <tr> <td>3 PLACES</td> <td>± .003</td> <td>± .0003</td> </tr> <tr> <td>2 PLACES</td> <td>± .002</td> <td>± .0002</td> </tr> <tr> <td>1 PLACE</td> <td>± .001</td> <td>± .0001</td> </tr> </table> ANGULAR ± 2 °		mm	INCH	4 PLACES	± .005	± .0005	3 PLACES	± .003	± .0003	2 PLACES	± .002	± .0002	1 PLACE	± .001	± .0001	DIMENSION STYLE MM/IN	SCALE DESIGN UNITS METRIC	THIRD ANGLE PROJECTION
		mm	INCH																	
4 PLACES	± .005	± .0005																		
3 PLACES	± .003	± .0003																		
2 PLACES	± .002	± .0002																		
1 PLACE	± .001	± .0001																		
DRAFT WHERE APPLICABLE MUST REMAIN WITHIN DIMENSIONS	DRAWN BY AZR DATE 2009/04/08	CHECKED BY SSS DATE 2009/04/08	APPROVED BY JDW DATE 2009/04/08	TITLE TNC JACK ISOLATED GROUND BLKD IP68 REAR MNT RG178 TNC-JC, EWR-4053	MATERIAL NO. SEE TABLE															

MOLEX INCORPORATED
 DOCUMENT NO. SD-73216-216
 SHEET NO. 1 OF 1

THIS DRAWING CONTAINS INFORMATION THAT IS PROPRIETARY TO MOLEX INCORPORATED AND SHOULD NOT BE USED WITHOUT WRITTEN PERMISSION