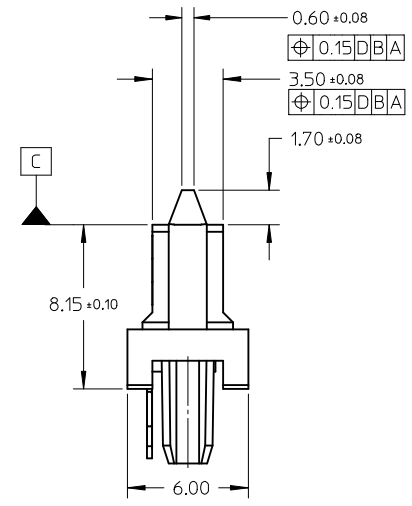


NOTES:

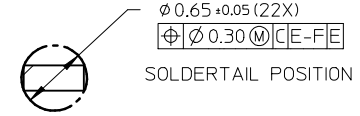
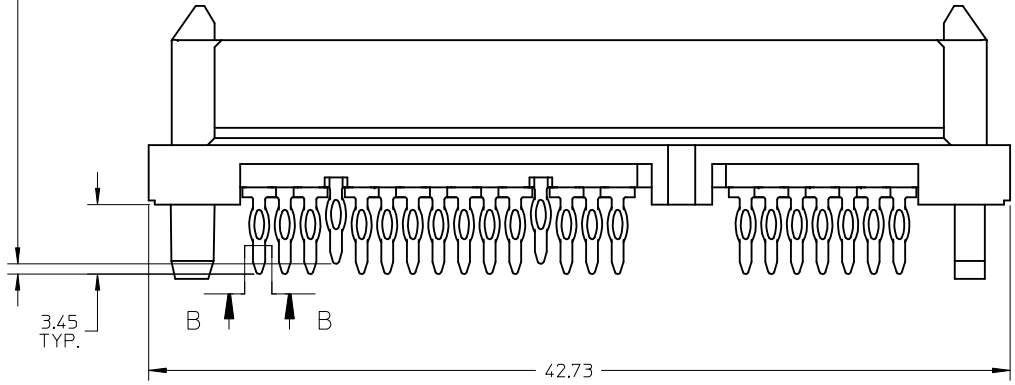
1. MATERIAL: LCP, GLASS FILLED, UL 94V-0, COLOR: BLACK
TERMINAL: COPPER ALLOY
2. PLATING
CONTACT: 0.76µm MIN. SELECTIVE GOLD OVER 1.27µm MIN. NICKEL
UNDERPLATE SOLDER TAIL: 2.54µm MIN. TIN OVER 1.27µm MIN. NICKEL
UNDERPLATE
3. MOLEX LOGO LOCATED APPROXIMATELY AS SHOWN
4. MAXIMUM WARPAGE OF 0.13 mm OVER THE LENGTH OF THE CONNECTOR
IN ANY DIRECTION BEFORE AND AFTER EXPOSURE TO MAX. 260°C FOR
10 SECONDS
5. PCB THICKNESS RANGE FROM 1.50 mm TO 2.00 mm
6. KEEP OUT ZONE ON BOTH SIDE OF PCB FOR CONNECTOR
INSERTION AND EXTRACTION TOOL
7. PRODUCT SPECIFICATION: PS-87701-033 APPLIES
8. PACKAGING
30 CONNECTORS PER TRAY



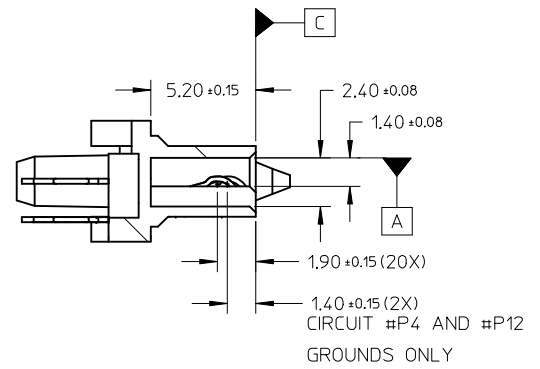
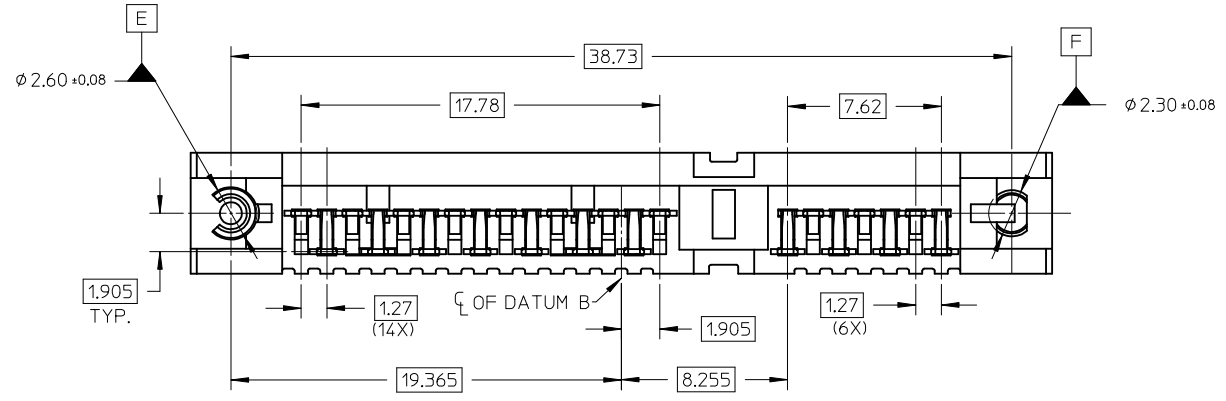
REMOVE PCB HOLES EC NO: S2015-0218 DRWN:SKANG CHKD:BOKOK APPR:SHLENI	2014/09/04 2014/09/05 2014/09/05	DESCRIPTION 3	QUALITY SYMBOLS	GENERAL TOLERANCES (UNLESS SPECIFIED)	DIMENSION STYLE	SCALE	DESIGN UNITS	THIRD ANGLE PROJECTION		
			▽=0 ◻=0	mm INCH 4 PLACES ± --- ± --- 3 PLACES ± --- ± --- 2 PLACES ± 0.20 ± --- 1 PLACE ± --- ± --- ANGULAR ± 3 °	MM ONLY	NTS	METRIC			
				DRAFT WHERE APPLICABLE MUST REMAIN WITHIN DIMENSIONS	DRAWN BY	DATE	TITLE			
					DKOH	2002/07/01	SERIAL ATA BACKPLANE PRESS-FIT STD HEIGHT RECEPTACLE			
				CHECKED BY	DATE	MOLEX INCORPORATED				
				KCL ING	2002/07/05	DOCUMENT NO.				
				APPROVED BY	DATE	SHEET NO.				
				SKTOH	2002/07/05	1 OF 4				
				MATERIAL NO.	87701-1001					
				SIZE	THIS DRAWING CONTAINS INFORMATION THAT IS PROPRIETARY TO MOLEX INCORPORATED AND SHOULD NOT BE USED WITHOUT WRITTEN PERMISSION					
				A3	SD-87701-013					

10 9 8 7 6 5 4 3 2 1

CIRCUIT #P4 AND #P12 ONLY
0.50



SECTION B-B

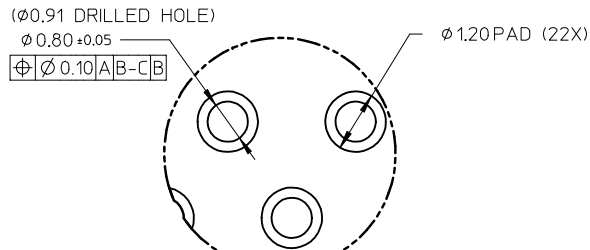
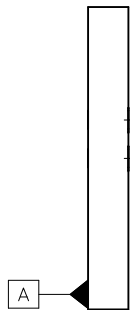
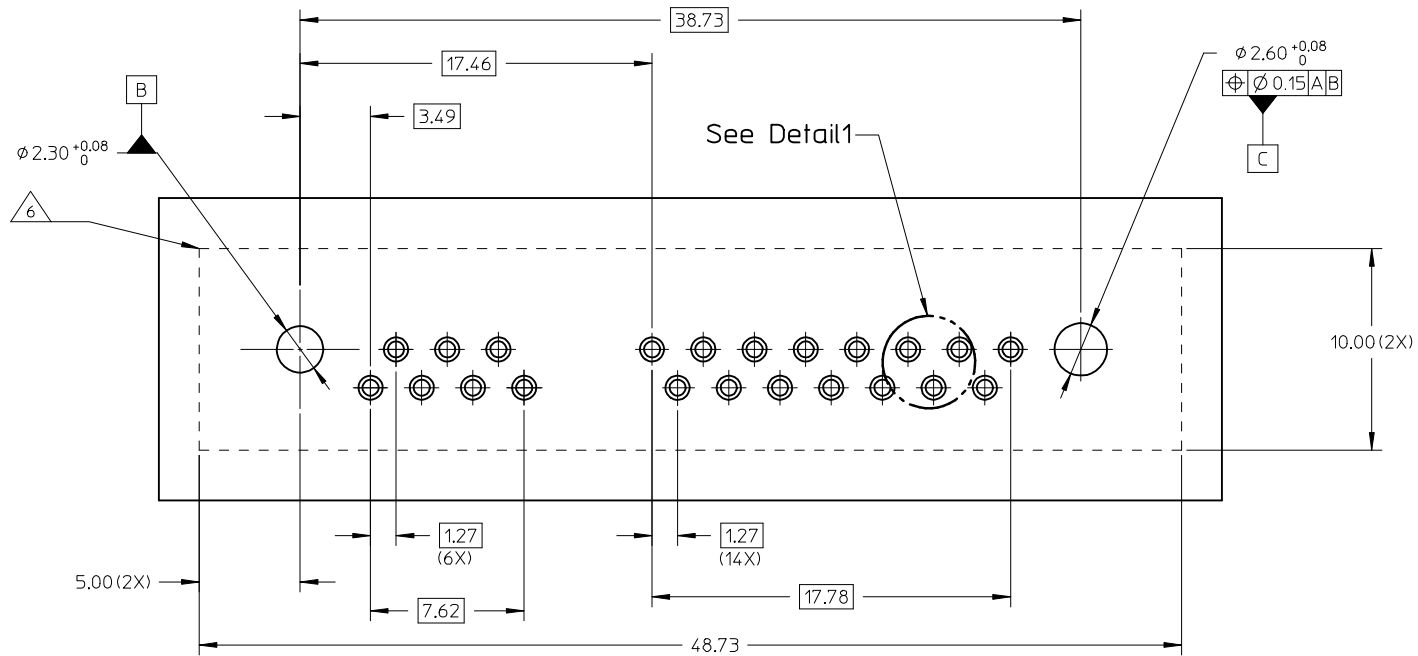


SECTION A-A

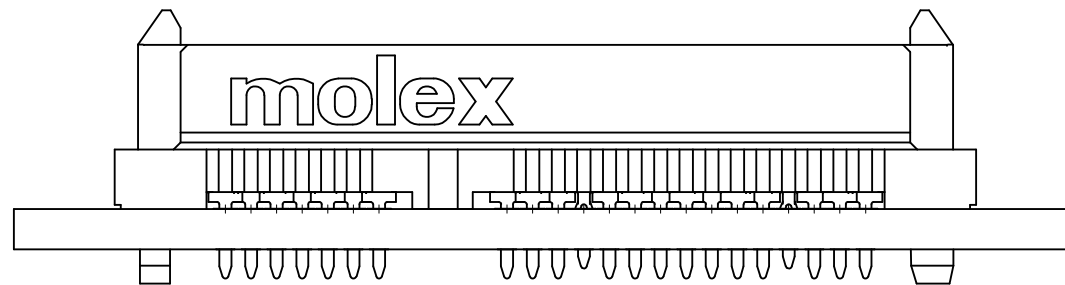
REMOVE PCB HOLES EC NO: S2015-0218 DRWN:SKANG CHKD:BOKOK APPR:SHLENI	2014/09/04 2014/09/05 2014/09/05	DESCRIPTION REV	QUALITY SYMBOLS	GENERAL TOLERANCES (UNLESS SPECIFIED)	DIMENSION STYLE	SCALE	DESIGN UNITS	THIRD ANGLE PROJECTION	
			$\nabla=0$ $\text{C}\text{E}=0$	mm INCH 4 PLACES ± --- ± --- 3 PLACES ± --- ± --- 2 PLACES ± 0.20 ± --- 1 PLACE ± --- ± --- ANGULAR ± 3 °	MM ONLY	NTS	METRIC		
				DRAFT WHERE APPLICABLE MUST REMAIN WITHIN DIMENSIONS	DRAWN BY: DKOH DATE: 2002/07/01 CHECKED BY: KCLING DATE: 2002/07/05 APPROVED BY: SKTOH DATE: 2002/07/05	TITLE	SERIAL ATA BACKPLANE PRESS-FIT STD HEIGHT RECEPTACLE		
					MATERIAL NO. 87701-1001 SIZE A3	DOCUMENT NO. SD-87701-013 SHEET NO. 2 OF 4	MOLEX INCORPORATED		

9 8 7 6 5 4 3 2 1

10 9 8 7 6 5 4 3 2 1



Detail1
SCALE 10:1

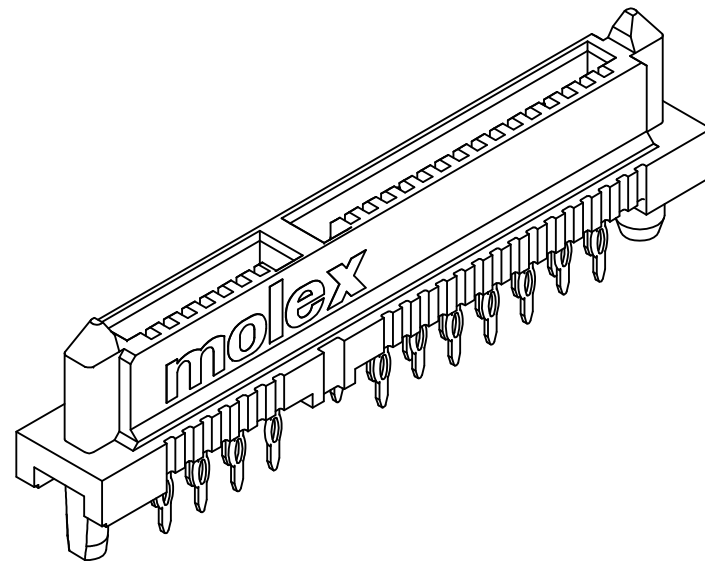
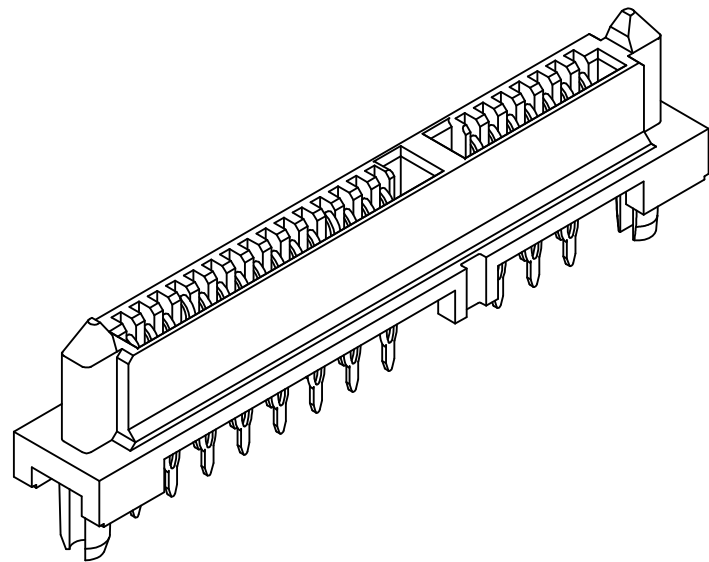


RECOMMENDED PCB LAYOUT

REMOVE PCB HOLES EC NO: S2015-0218 DRWN:SKANG CHKD:BOKOK APPR:SHLENI 2014/09/04 2014/09/05 2014/09/05	DESCRIPTION REV	QUALITY SYMBOLS	GENERAL TOLERANCES (UNLESS SPECIFIED)	DIMENSION STYLE	SCALE	DESIGN UNITS	THIRD ANGLE PROJECTION	
		$\nabla=0$ $\nabla=0$	mm INCH 4 PLACES ± --- ± --- 3 PLACES ± --- ± --- 2 PLACES ± 0.20 ± --- 1 PLACE ± --- ± --- ANGULAR ± 3 °	MM ONLY	NTS	METRIC	☉ □ THIRD ANGLE PROJECTION	
			DRAFT WHERE APPLICABLE MUST REMAIN WITHIN DIMENSIONS	DRAWN BY: DKOH DATE: 2002/07/01 CHECKED BY: KCLING DATE: 2002/07/05 APPROVED BY: SKTOH DATE: 2002/07/05	TITLE	SERIAL ATA BACKPLANE PRESS-FIT STD HEIGHT RECEPTACLE		
		MATERIAL NO. 87701-1001		MOLEX INCORPORATED DOCUMENT NO. SD-87701-013	SHEET NO. 3 OF 4			

9 8 7 6 5 4 3 2 1

10 9 8 7 6 5 4 3 2 1



REMOVE PCB HOLES EC NO: S2015-0218 DRWN:SKANG 2014/09/04 CHKD:BOKOK 2014/09/05 APPR:SHLENI 2014/09/05	QUALITY SYMBOLS ▽=0 ◻=0	GENERAL TOLERANCES (UNLESS SPECIFIED) <table border="1"> <thead> <tr> <th></th> <th>mm</th> <th>INCH</th> </tr> </thead> <tbody> <tr> <td>4 PLACES</td> <td>± ---</td> <td>± ---</td> </tr> <tr> <td>3 PLACES</td> <td>± ---</td> <td>± ---</td> </tr> <tr> <td>2 PLACES</td> <td>± 0.20</td> <td>± ---</td> </tr> <tr> <td>1 PLACE</td> <td>± ---</td> <td>± ---</td> </tr> </tbody> </table>		mm	INCH	4 PLACES	± ---	± ---	3 PLACES	± ---	± ---	2 PLACES	± 0.20	± ---	1 PLACE	± ---	± ---	DIMENSION STYLE MM ONLY	SCALE NTS	DESIGN UNITS METRIC	THIRD ANGLE PROJECTION
		mm	INCH																		
	4 PLACES	± ---	± ---																		
	3 PLACES	± ---	± ---																		
2 PLACES	± 0.20	± ---																			
1 PLACE	± ---	± ---																			
DESCRIPTION 3	DRAFT WHERE APPLICABLE MUST REMAIN WITHIN DIMENSIONS	<table border="1"> <thead> <tr> <th>DRAWN BY</th> <th>DATE</th> <th>TITLE</th> </tr> </thead> <tbody> <tr> <td>DKOH</td> <td>2002/07/01</td> <td rowspan="3"> SERIAL ATA BACKPLANE PRESS-FIT STD HEIGHT RECEPTACLE MOLEX INCORPORATED </td> </tr> <tr> <td>CHECKED BY</td> <td>DATE</td> </tr> <tr> <td>KCLING</td> <td>2002/07/05</td> </tr> </tbody> </table>	DRAWN BY	DATE	TITLE	DKOH	2002/07/01	SERIAL ATA BACKPLANE PRESS-FIT STD HEIGHT RECEPTACLE MOLEX INCORPORATED	CHECKED BY	DATE	KCLING	2002/07/05	MATERIAL NO. 87701-1001	DOCUMENT NO. SD-87701-013	SHEET NO. 4 OF 4						
DRAWN BY	DATE	TITLE																			
DKOH	2002/07/01	SERIAL ATA BACKPLANE PRESS-FIT STD HEIGHT RECEPTACLE MOLEX INCORPORATED																			
CHECKED BY	DATE																				
KCLING	2002/07/05																				
SIZE A3	THIS DRAWING CONTAINS INFORMATION THAT IS PROPRIETARY TO MOLEX INCORPORATED AND SHOULD NOT BE USED WITHOUT WRITTEN PERMISSION																				

9 8 7 6 5 4 3 2 1