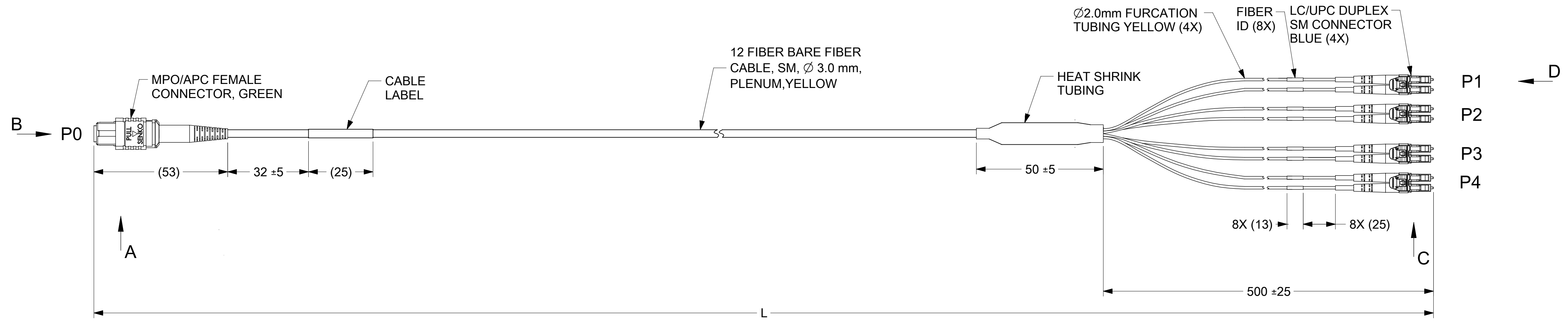
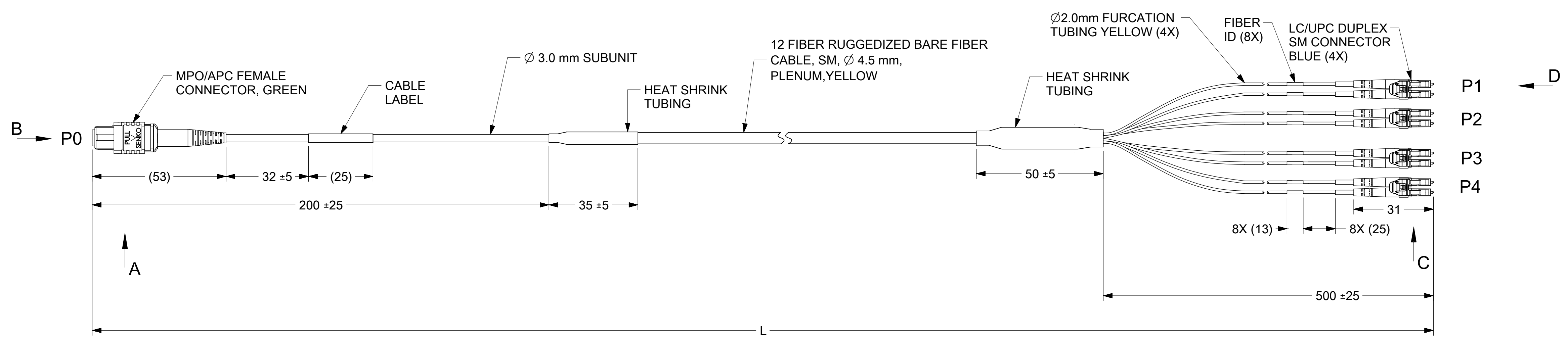


BREAKOUT JUMPER P/N	OVERALL LENGTH, L (m)	CABLE TYPE
885366801	1.0 +0.2 / -0	SINGLE JACKET
885366803	3.0 +0.2 / -0	
885366805	5.0 +0.2 / -0	
885366810	10.0 +0.3 / -0	
885366815	15.0 +0.3 / -0	
885366820	20.0 +0.4 / -0	RUGGEDIZED CENTRAL TUBE
885366830	30.0 +0.6 / -0	
885366840	40.0 +0.8 / -0	
885366850	50.0 +1.0 / -0	
885366860	60.0 +1.2 / -0	
885366870	70.0 +1.4 / -0	
885366880	80.0 +1.6 / -0	
885366899	100.0 +2.0 / -0	



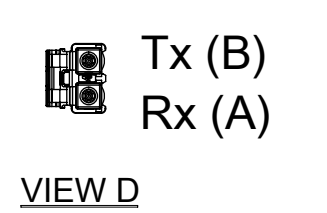
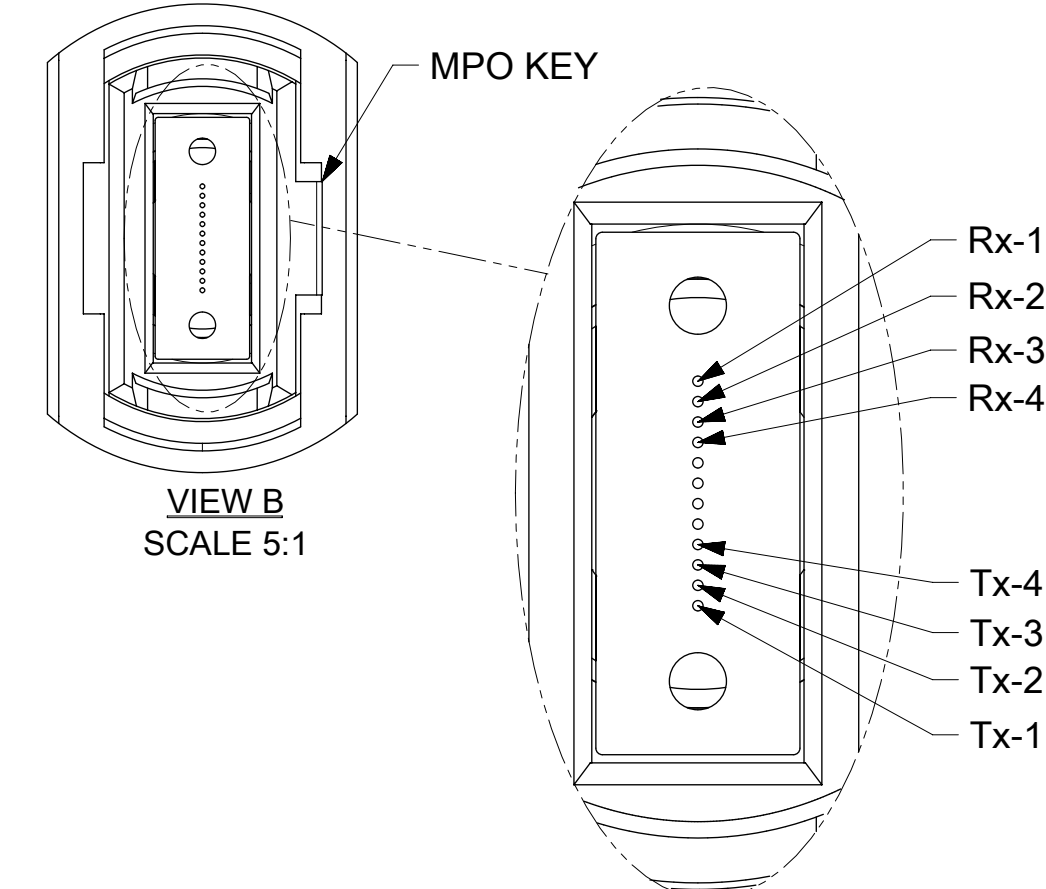
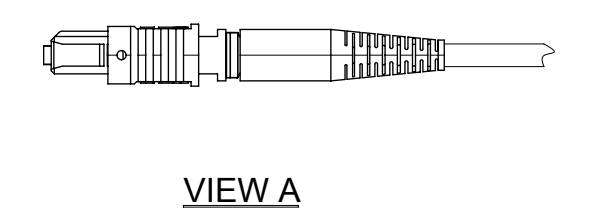
SINGLE JACKET



RUGGEDIZED CENTRAL TUBE

- NOTES:**
- CABLE ASSEMBLY SPECIFICATIONS:
 - OPTICAL PROPERTIES
 - FIBER TYPE: SINGLE MODE ITU-T G.657.A1 BEND-INSENSITIVE
 - CONN. INSERTION LOSS, MAX: MPO: 0.75 dB / LC: 0.35 dB AT 1550 nm
 - CONN. RETURN LOSS, MAX: -50 dB AT 1550 nm
 - CABLE ATTENUATION, MAX: 0.5 / 0.5 dB/km AT 1310 / 1550 nm
 - MECHANICAL PROPERTIES
 - FIBER COUNT: 4 Tx x 4 Rx
 - ENVIRONMENTAL PROPERTIES
 - FLAME RESISTANCE, CABLE: PLENUM OFNP
 - CONNECTOR MATERIALS: UL94 V-0
 - OPERATING TEMPERATURE RANGE: -20°C TO +70°C
 - ENDCAPS ARE NOT SHOWN BUT INCLUDED.
 - CABLE LABEL IS PRINTED WITH MOLEX P/N AND SERIAL NUMBER.
 - FIBER ID LABELS ARE PRINTED PER CONNECTIONS TABLE.
 - CABLE CONSTRUCTION:
 - L < 25 meters - SINGLE JACKET CABLE
 - L ≥ 25 meters - RUGGEDIZED CENTRAL TUBE CABLE
 - INSERTION LOSS TEST DATA IS PROVIDED WITH EACH SHIPMENT.
 - PACKAGING:
 - L < 50 meters - INDIVIDUALLY COILED AND BAGGED
 - L ≥ 50 meters - SHIPPED ON SPOOLS

SINGLE MODE ITU-T G.657.A1 BEND-INSENSITIVE
 MPO: 0.75 dB / LC: 0.35 dB AT 1550 nm
 -50 dB AT 1550 nm
 0.5 / 0.5 dB/km AT 1310 / 1550 nm



CONNECTIONS		
FROM P0	TO	FIBER ID
Rx-1	P1-B	Tx-1
Rx-2	P2-B	Tx-2
Rx-3	P3-B	Tx-3
Rx-4	P4-B	Tx-4
---	---	---
---	---	---
---	---	---
---	---	---
Tx-4	P4-A	Rx-4
Tx-3	P3-A	Rx-3
Tx-2	P2-A	Rx-2
Tx-1	P1-A	Rx-1

FUNCTIONAL SYMBOLS $F_A = 0$ $F_C = 0$ $F_D = 0$	THIS DRAWING CONTAINS INFORMATION THAT IS PROPRIETARY TO MOLEX ELECTRONIC TECHNOLOGIES, LLC AND SHOULD NOT BE USED WITHOUT WRITTEN PERMISSION	DIMENSION UNITS: mm SCALE: NTS	CURRENT REV DESC:	
	GENERAL TOLERANCES (UNLESS SPECIFIED) ANGULAR TOL: ± ° 4 PLACES ± 3 PLACES ± 2 PLACES ± 1 PLACE ± 0 PLACES ±	EC NO: 661442 DRWN: JHUANG18 CHK'D: IGUMIN APPR: IGUMIN	2021/03/05 2021/05/03 2021/05/03	
DRAFT WHERE APPLICABLE MUST REMAIN WITHIN DIMENSIONS				PRODUCT CUSTOMER DRAWING
MATERIAL NUMBER: 88536801		CUSTOMER: GENERAL MARKET		DOCUMENT NUMBER: 88536801 DOC TYPE: PSD DOC PART: 000 REVISION: A
SHEET NUMBER: 1 OF 1		DRAWING: D-SIZE SERIES: 88536		SEE TABLE