

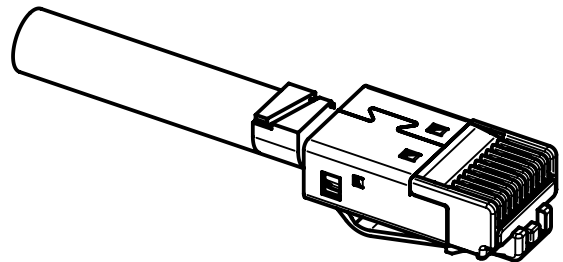
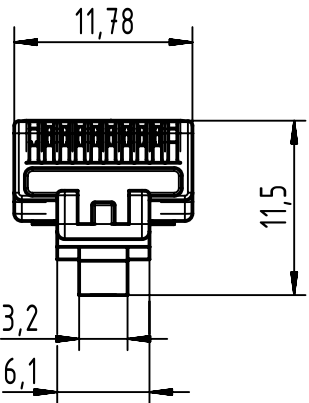
1 2 3 4 5 6

A

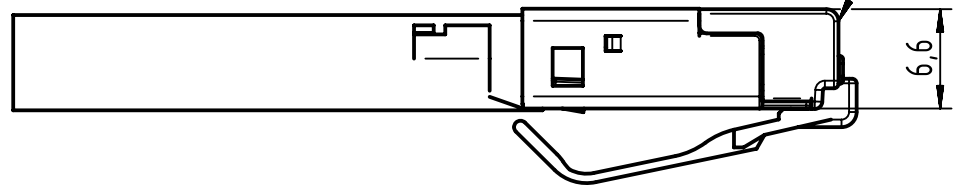
B

C

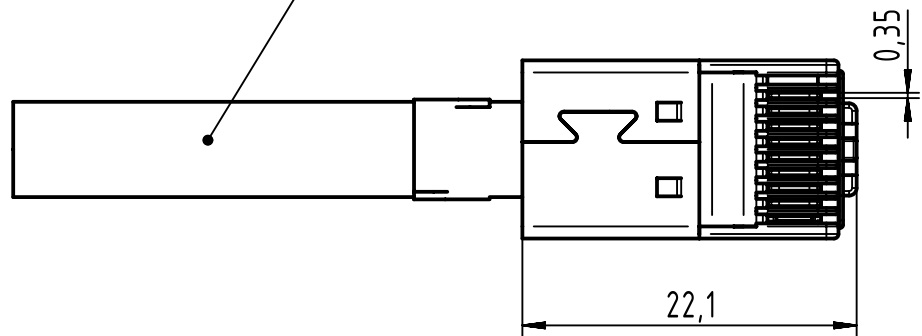
D



mating face according to IEC 60603-7



Cable $\varnothing 4.5\text{mm} - \varnothing 6.5\text{mm}$



- For stranded conductors AWG 28 to AWG 24
- Max wire diameter 1.05mm
- Cat.6A performance class EA suitable for 1/10 Gigabit Ethernet
- Temperature range -40°C up to +70°C
- 750 mating cycles
- packaging unit : 100 pcs.

	All rights reserved Department EC PD - RO	All Dimensions in mm Original Size DIN A4		Scale 2:1	Free size tol.		Ref.	
		Created by TAMAS	Inspected by AVRAM	Standardisation HOFFMANN	Date 2015-09-24	State Final Release		
HARTING Electronics GmbH D-32339 Espelkamp		Title RJ45 GL Compact plug Cat.6A, 8p 100					Doc-Key / ECM-Nr. 100639911/UGD/000/A 500000094830	
		Type TB	Number 09451511524			Rev. A	Page 1/1	