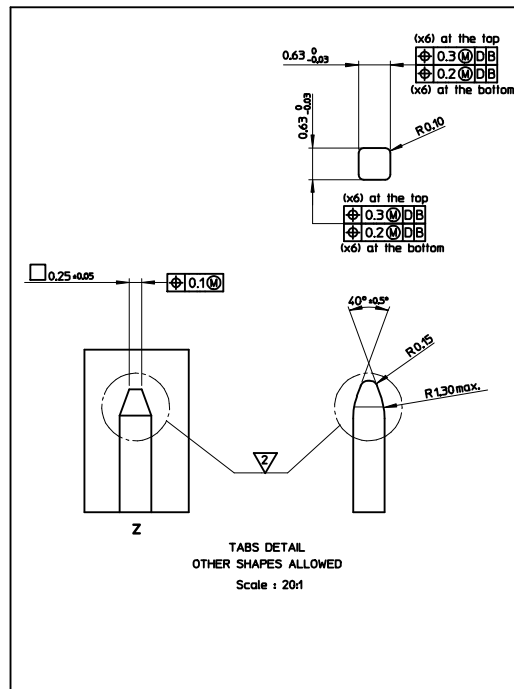
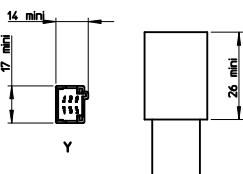


Regular material thickness 0.90 mini. all over



CODING BOARD			
ORIGINALS		COMPLEMENTARY CODING	
BROWN		GREY	
GREEN		BLUE	
WHITE		MALE HOUSING NOT AVAILABLE FOR COMPLEMENTARY CODING MECHANICAL SETTINGS CAN BE DIFFERENT FROM ORIGINAL CODING TO COMPLEMENTARY ONES.	
BLACK			

AREA FOR CONNECTOR ASSEMBLY
Scale: 1:1



NOTES:

- CAVITY PREINT MUST NOT GET OUTSIDE THE BOTTOM OF THE PREINT
- NO BURR ADMITED IN THAT AREA
- 3 RADIUS WITHOUT DIMENSIONS R=0.5 MAX

Recommended Plastic Material: >PBT-GF20<
Recommended Metal Material: CuSn6 or CuFe2
Plating: 0.84µm to 3.34µm minus of pure tin (Sn)
1.34µm mini Nickel (Ni) underlayer.

FIRST RELEASE EC NO: G2005-0319 DRAWING REVISIONS CHKD: JLDUCLOS 2005/04/27 APPROVAL: LSTICKEIR 2005/04/28	QUALITY SYMBOLS =0 ≠0	GENERAL TOLERANCES (UNLESS SPECIFIED)		DIMENSION STYLE MM ONLY		SCALE 5:1	DESIGN UNITS METRIC	FIRST ANGLE PROJECTION
		mm	INCH	DRAWN BY GDESBRUERES	DATE 2005/04/13	TITLE INTERFACE DRAWING MOX RCPT HSG DR 3CKT 98298 SERIES#	MATERIAL NO. SD-98298-003	
4 PLACES ± --- ± ---		3 PLACES ± --- ± ---		CHECKED BY JLDUCLOS		DATE 2005/04/15		MATERIAL NO. SD-98298-003
2 PLACES ± 0.10 ± ---		1 PLACE ± 0.2 ± ---		APPROVED BY LSTICKEIR		DATE 2005/04/19		
ANGULAR ± 1/2°		DRAFT WHERE APPLICABLE MUST REMAIN WITHIN DIMENSIONS		MATERIAL NO. SD-98298-003		SHEET NO. 1 OF 1		
THIS DRAWING CONTAINS INFORMATION THAT IS PROPRIETARY TO MOLEX INCORPORATED AND SHOULD NOT BE USED WITHOUT WRITTEN PERMISSION								