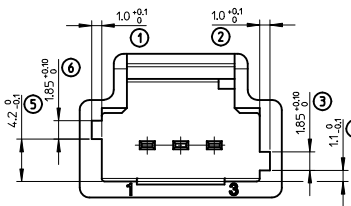
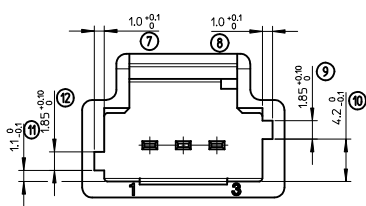


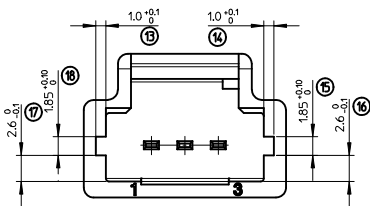
**CODINGS**



COLOR: GREEN

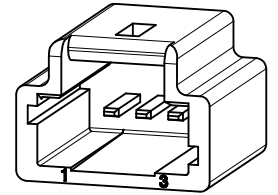


COLOR: BLACK

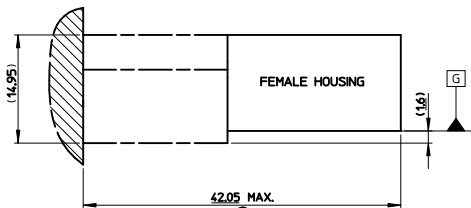


COLOR: WHITE

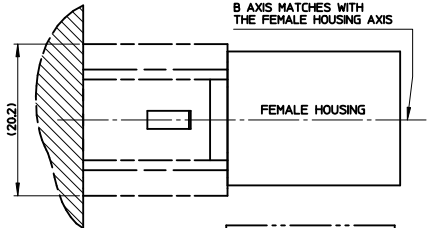
**ISO VIEW  
(GREEN CODING)**



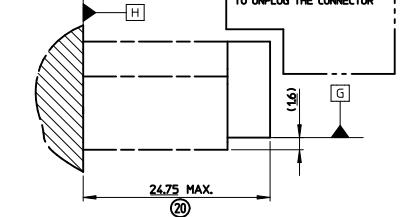
**OVERALL DIMENSIONS**



B AXIS MATCHES WITH THE FEMALE HOUSING AXIS



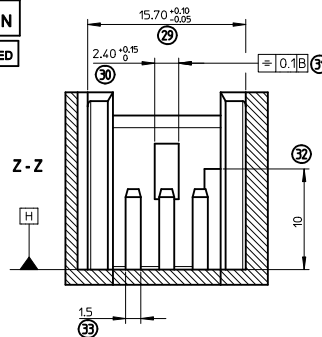
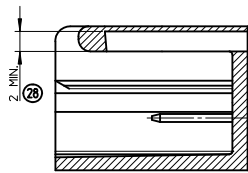
MINIMUM FREE AREA AVAILABLE TO UNPLUG THE CONNECTOR



**HEADER'S DEFINITION**

GREEN CODING REPRESENTED

**X - X  
VARIABLE**



**NOTES:**

**MALE TERMINALS:**

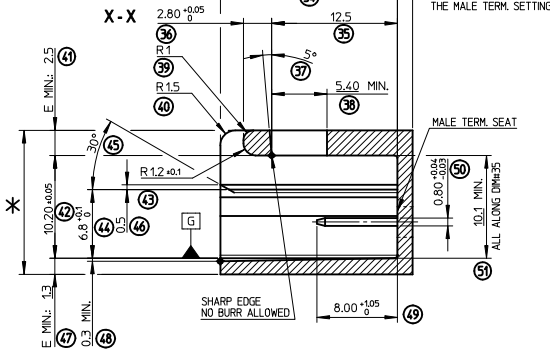
- MALE TERMINALS RESISTANCE: 100N MIN IN MALE TERM. AXIS.
- MATERIAL: COPPER, COPPER ALLOY OR BRASS.
- FINISHES: TIN PLATED 24 MIN.

**HEADER:**

- RADII WITHOUT DIM: R=0.3MM
- E MIN: MINIMUM MATERIAL THICKNESS RECOMMENDED FOR SPECIFIED MATERIAL
- MATERIAL: PBT (RECOMMENDED) (63)
- \* WARPING: 0.5MM MAX. ACCEPTED ON "X" DIM. WITH ANOTHER EXTERNAL SHAPE AS DRAWN WHEN PLUGGED.

**MATES WITH:**

- MOLEX CONNECTORS 98817-103X



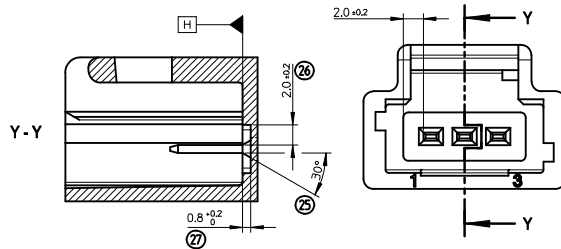
MINUS THICKNESS: TO BE DEFINED WITH THE MALE TERM. SETTING

MALE TERM. SEAT

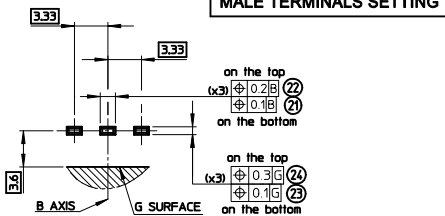
SHARP EDGE NO BURR ALLOWED

ALL ALONG DIM#35

**MALE TERMINALS VARIABLE SETTING**



**MALE TERMINALS SETTING**



REV.	FIRST	LAST	DELETED	SUPERSEDED
A	(1)	(63)		

PRINT 1ST RELEASE  
EC NO: G2012-0780  
DRAWN BY: GDESBRUERES  
CHECKED BY: JDUCLLOS  
APPROVED BY: OPLESSISDATE: 2012/04/18  
DATE: 2012/04/23

QUALITY SYMBOLS	GENERAL TOLERANCES (UNLESS SPECIFIED)	
	mm	INCH
▽	4 PLACES ±	±
▽	3 PLACES ±	±
▽	2 PLACES ±	±
▽	1 PLACE ±	±
▽	0 PLACE ±	±

ANGULAR ± 2 °  
DRAFT WHERE APPLICABLE MUST REMAIN WITHIN DIMENSIONS

DIMENSION STYLE		SCALE	DESIGN UNITS	FIRST ANGLE PROJECTION
MM ONLY		4:1	METRIC	☑

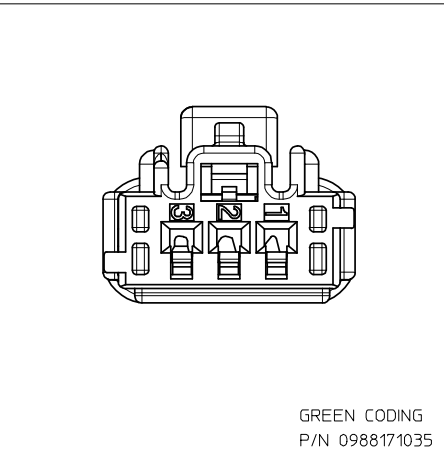
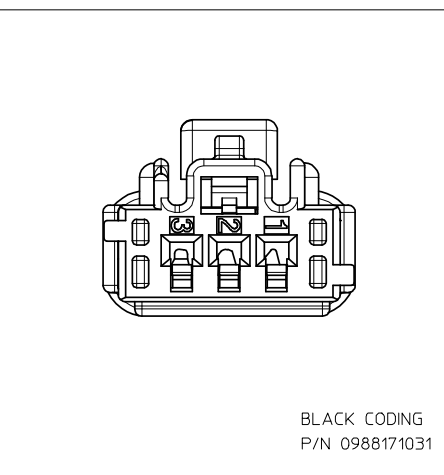
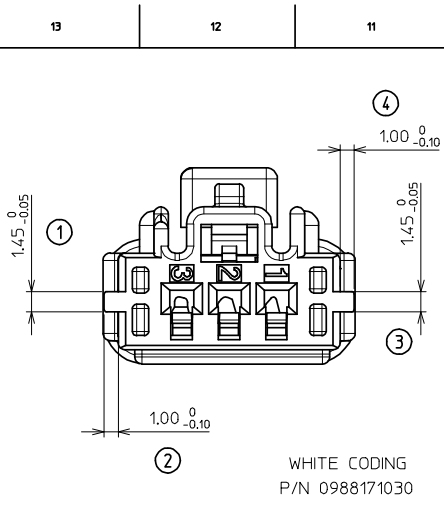
REV.	MODIFICATIONS
A	-PRINT FIRST RELEASE

TITLE: 3W INTERFACE 1.5 TERM. (FOR FEMALE HOUSING)

**molex**

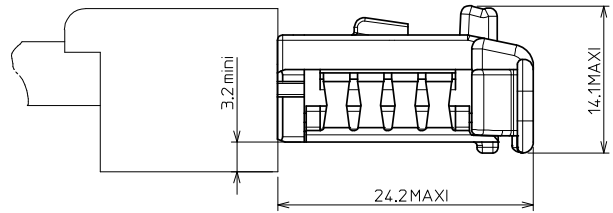
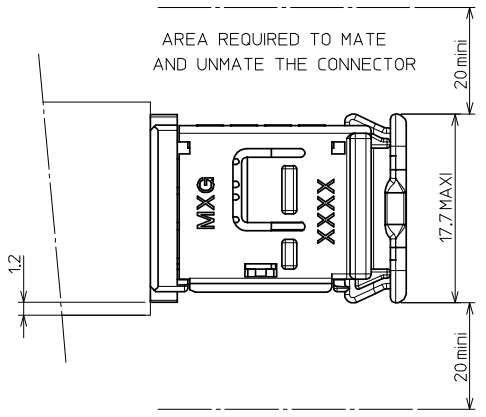
MATERIAL NO: N/A  
DOCUMENT NO: SD-98815-003  
SHEET NO: 1 OF 1

THIS DRAWING CONTAINS INFORMATION THAT IS PROPRIETARY TO MOLEX INCORPORATED AND SHOULD NOT BE USED WITHOUT WRITTEN PERMISSION



CODING 4:1

HANDLING AREA

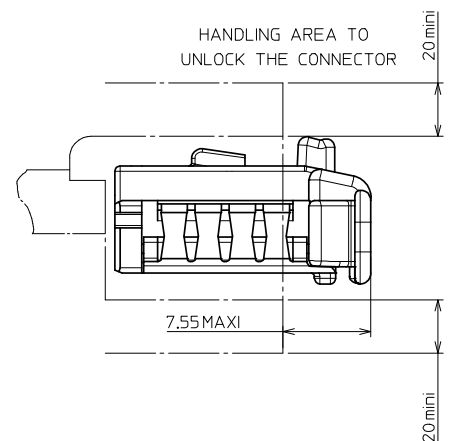


NOTE : 1 - The using conditions of the hinge are shown in the MOLEX specification n°AS-98821-001.

- 2 - Female terminal used : SCC RCPT TERM 1.5mm
- Range 1 : 0988971109 (0.22 mm<sup>2</sup> to 2x0.22 mm<sup>2</sup>)
  - Range 2 : 0988971119 (0.5 mm<sup>2</sup> to 1 mm<sup>2</sup> included)
  - Range 3 : 0988971129 (2x0.5 mm<sup>2</sup> to 2 mm<sup>2</sup> included)

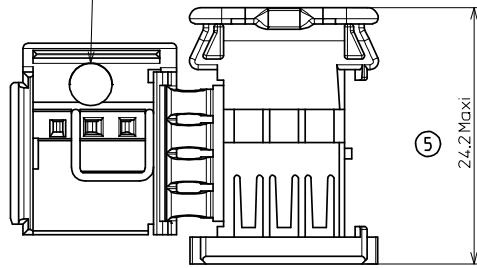
3 - Female connector will mate with male connector P/N 098822103x.

AREA REQUIRED WHEN THE CONNECTOR IS MATED



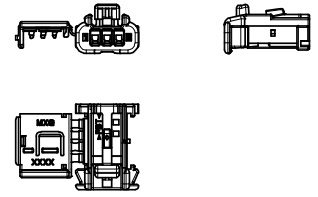
<b>FIRST RELEASE</b> EC NO: G2007-0386 DRAWN: LPOUCHAUD 2008/03/10 CHKD: YIGEL 2008/03/10 APPR: LSTICKEIR 2008/03/10	QUALITY SYMBOLS 	GENERAL TOLERANCES (UNLESS SPECIFIED)		DIMENSION STYLE <b>MM ONLY</b>	SCALE <b>3:1</b>	DESIGN UNITS <b>METRIC</b>	THIRD ANGLE PROJECTION	
		4 PLACES ± --- ± ---	mm INCH	DRAWN BY LPOUCHAUD	DATE 2008/02/21	TITLE <b>NSCC RCPT HSG 1.5 3CKT</b>		
		3 PLACES ± --- ± ---		CHECKED BY YIGEL	DATE 2008/02/22	MOLEX INCORPORATED		
		2 PLACES ± 0.05 ± ---		APPROVED BY LSTICKEIR	DATE 2008/02/27	DOCUMENT NO. <b>SD-98817-002</b>	SHEET NO. 1 OF 2	
1 PLACE ± 0.1 ± ---		ANGULAR ± 1°		DRAFT WHERE APPLICABLE MUST REMAIN WITHIN DIMENSIONS			SEE CHART	
MATERIAL NO.		THIS DRAWING CONTAINS INFORMATION THAT IS PROPRIETARY TO MOLEX INCORPORATED AND SHOULD NOT BE USED WITHOUT WRITTEN PERMISSION						

DATUM MONTH/YEAR

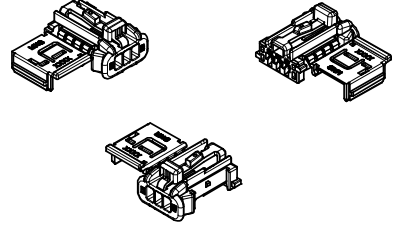


5

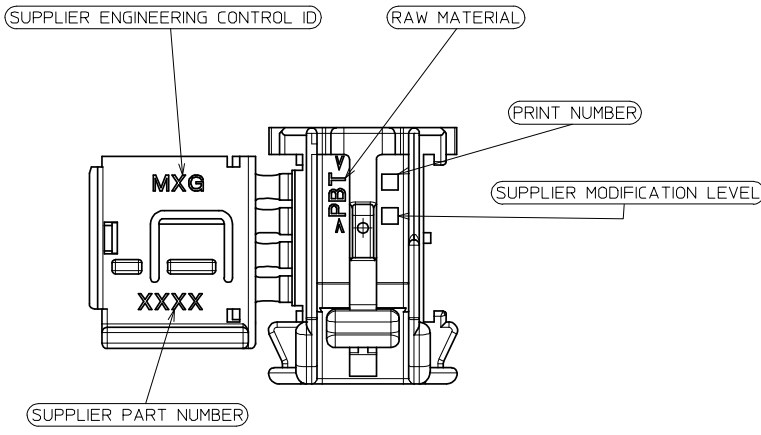
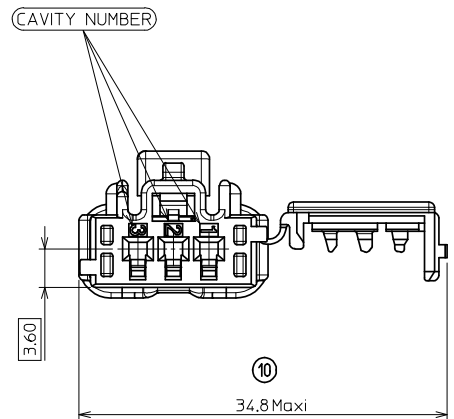
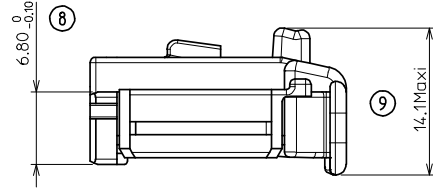
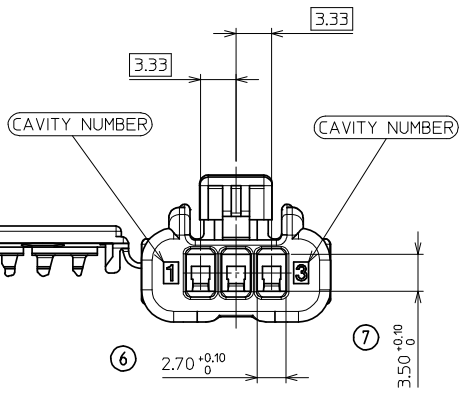
24.2 Max



1:1



1:1



GREEN CODING (P/N 0988171035) IS SHOWN.

NSCC Rcpt Hsg 15 3CKT		0988171035	Green	POLYESTER (PBT)	2.149 g				
		0988171031	Black						
		0988171030	White						
Description		Part-Number	Color	Raw Material	Weight effective				
<b>FIRST RELEASE</b> EC NO: G2007-0386 DRAWN: LPOUCHAUD 2008/03/10 CHKD: YIGEL 2008/03/10 APPR: LSTICKEIR 2008/03/10	QUALITY SYMBOLS 	GENERAL TOLERANCES (UNLESS SPECIFIED)		DIMENSION STYLE	SCALE	DESIGN UNITS	THIRD ANGLE PROJECTION		
				MM ONLY	1:1	METRIC		NSCC RCPT HSG 1.5 3CKT	
		4 PLACES	± ---	± ---	DRAWN BY	DATE			MOLEX INCORPORATED SD-98817-002
		3 PLACES	± ---	± ---	LPOUCHAUD	2008/02/21			
		2 PLACES	± 0.05	± ---	CHECKED BY	DATE			
1 PLACE	± 0.1	± ---	YIGEL	2008/02/22					
ANGULAR ± 1 °		APPROVED BY	DATE	DOCUMENT NO.					
DRAFT WHERE APPLICABLE MUST REMAIN WITHIN DIMENSIONS		LSTICKEIR	2008/02/27	SD-98817-002					
SIZE A 2		THIS DRAWING CONTAINS INFORMATION THAT IS PROPRIETARY TO MOLEX INCORPORATED AND SHOULD NOT BE USED WITHOUT WRITTEN PERMISSION				SHEET NO. 2 OF 2			