

NOTES:
 RATED VOLTAGE: 250V
 RATED CURRENT: 4A
 PROTECTION CLASS: IP 67

PART NO. MATRIX

W 0 4 0 0 6 B 3 6 M X X X X

W0 = ULTRA LOCK
 SINGLE ENDED

NUMBER OF POLES:
 4 = 4 POLES

CABLE:
 B36 = 0.34mm² TPU OG

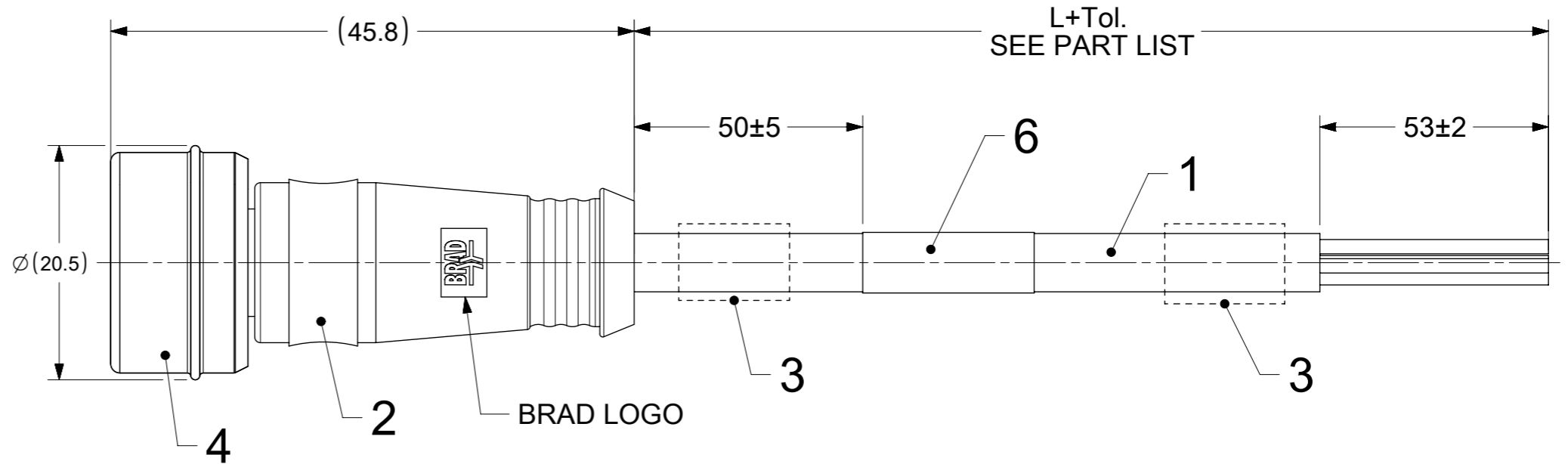
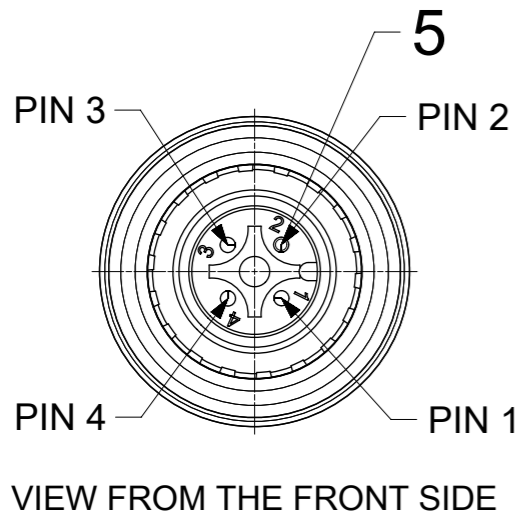
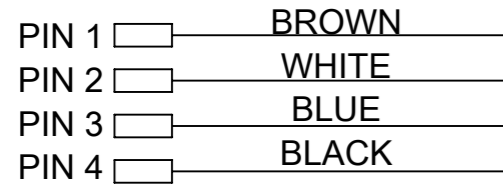
UNITS
 M = METERS

LENGTH EXAMPLES:
 020 = 2 m
 050 = 5 m
 200 = 20 m

OVERMOULD:
 BLANK = BLACK
 A = GREY
 G =BLACK
 Y = YELLOW
 R = RED

HEADS STYLE
 006 = MALE STRAIGHT

WIRING DIAGRAM



CABLE INFORMATION (for more information see Cable Data Sheet).

| CABLE TYPE | NO. OF WIRES | CROSS SECTION | CABLE JACKET | UL | CSA | STATIC: TEMP. / BENDING RADIUS | DYNAMIC: TEMP. / BENDING RADIUS | DRAG CHAIN: TEMP. / BENDING RADIUS | DRAG CHAIN | CABLE PRODUCT SPECIFICATION | CABLE SPEC. DRAWING |
|------------|--------------|---------------------|--------------|--------------|-------------------------|--------------------------------|---------------------------------|------------------------------------|--|-----------------------------|---------------------|
| B36 | 4 / 5 | 0.34mm ² | TPU Orange | UL 21215/758 | C22.2 I/II A/B 80°/600V | -40°C to +90°C 5xO.D. | -25°C to +80°C 7.5xO.D. | -5°C to +60°C 7.5xO.D. | up to 5 000 000 cycles at temp 20°C | 1552200001 | SD-120209-001 |

BOM

| ITEM | QTY. | DESCRIPTION | MATERIAL | FINISH / COLOR |
|------|------|---------------------------------|----------|---------------------|
| 6 | 1 | STANDARD WRAP LABEL | VINYL | YELLOW |
| 5 | 4 | CONTACT MALE | BRASS | GOLD OVER Ni-PLATED |
| 4 | 1 | MIC 4P MALE ULTRA-LOCK ASSEMBLY | - | - |
| 3 | 2 | ID CARRIER | PVC | TRANSPARENT |
| 2 | - | MOULDING MATERIAL | TPU | YELLOW |
| 1 | - | CABLE 4x0.34 | TPU | ORANGE |

PART LIST

| MOLEX PN | ENGINEERING No | L+Tol. [mm] |
|------------|----------------|-------------|
| 1200798099 | W04006B36M003Y | 300 +40 |

| | | | | |
|--|---|---------------------------------------|-------------------|--------------------------|
| FUNCTIONAL SYMBOLS FA = 0 FE = 0 FE = 0 | THIS DRAWING CONTAINS INFORMATION THAT IS PROPRIETARY TO MOLEX ELECTRONIC TECHNOLOGIES, LLC AND SHOULD NOT BE USED WITHOUT WRITTEN PERMISSION | SCALE 2:1 | CURRENT REV DESC: | |
| | DIMENSION UNITS mm | GENERAL TOLERANCES (UNLESS SPECIFIED) | EC NO: 698441 | |
| DIVISIONAL SYMBOLS | ANGULAR TOL ± 1.0° | 4 PLACES ± | DRWN: SSM | 2021/11/18 |
| | 3 PLACES ± | 2 PLACES ± 0.05 | CHK'D: RSILLER | 2022/03/08 |
| 1 PLACE ± 0.3 | 0 PLACES ± 0.5 | APPR: RSILLER | 2022/03/08 | PRODUCT CUSTOMER DRAWING |
| DRAFT WHERE APPLICABLE MUST REMAIN WITHIN DIMENSIONS | THIRD ANGLE PROJECTION | INITIAL REVISION: | DRWN: AKONDRACIUK | 2018/11/06 |
| | | APPR: DSTACHOWIAK | 2018/11/07 | 2018/11/07 |
| | | DRAWING | SERIES | MATERIAL NUMBER |
| | | A3-SIZE | 120079 | SEE PART LIST |
| | | CUSTOMER | GENERAL MARKET | |
| | | SHEET NUMBER | 1 OF 1 | |