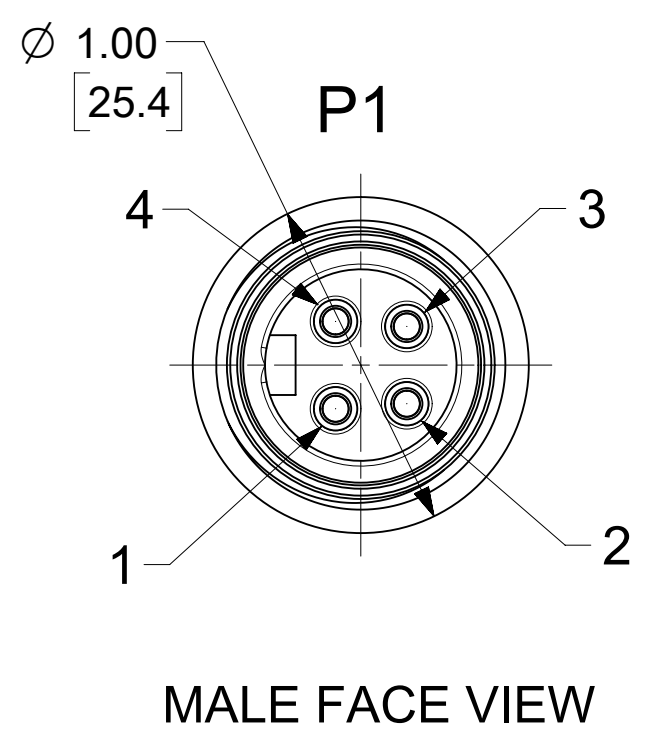
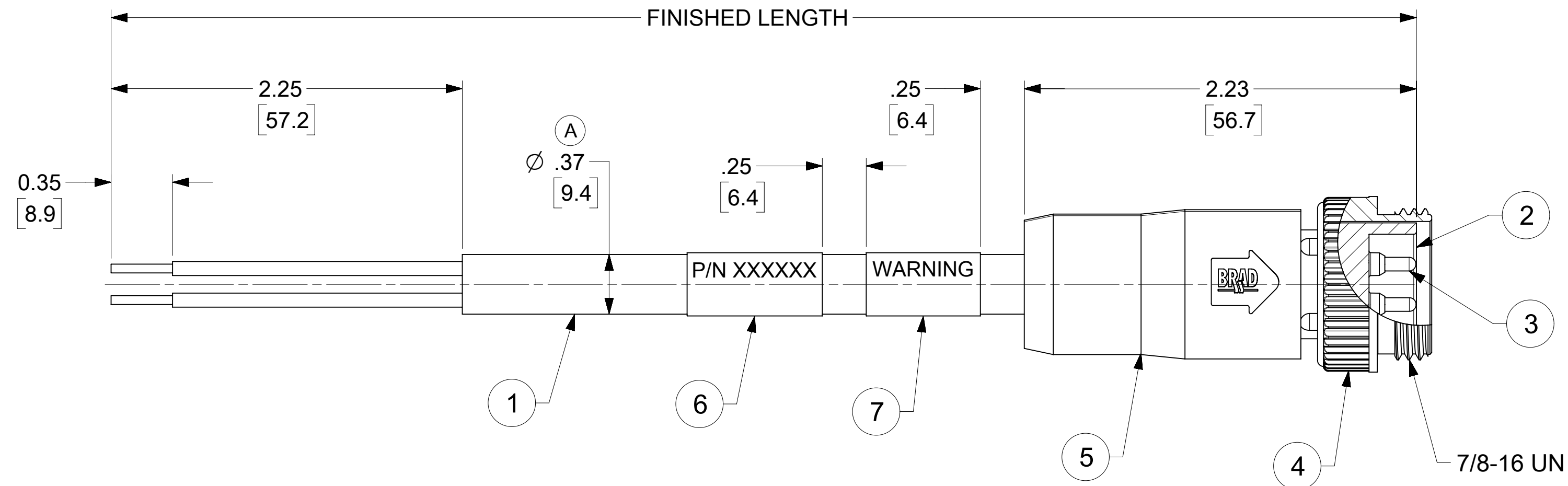
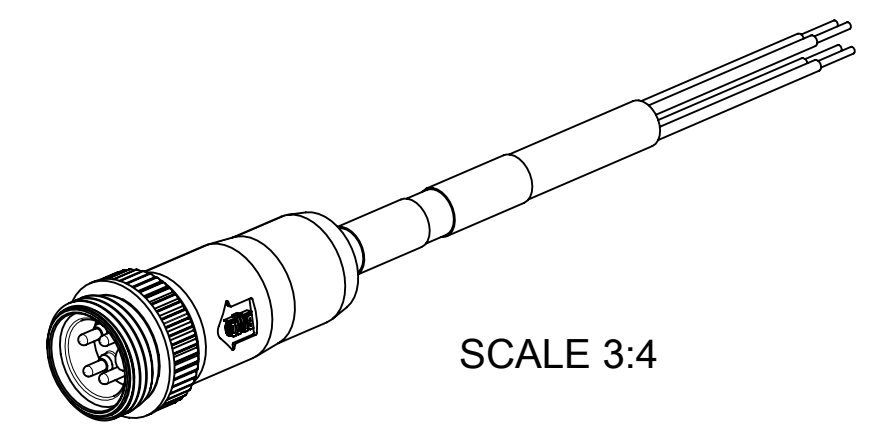


| MATERIAL NO. | ENGINEERING NO. | FINISHED LENGTH |
|--------------|-----------------|-------------------|
| 1300610256 | 104006K21M010G | 3 FT 3 IN (1.0M) |
| 1300610262 | 104006K21M080G | 26 FT 3 IN (8.0M) |
| 1300610265 | 104006K21M150G | 49 FT 2 IN (15M) |

CABLE LENGTH TOLERANCES

<.3M [1FT]: +19mm-0 [+.75in-0]
.3 - .9M [1 - 3FT]: +44.5mm-0 [+1.75in-0]
.9 - 1.8M [3 - 6FT]: +55.6mm-0 [+2.19in-0]
1.8 - 3.7M [6 - 12FT]: +88.9mm-0 [+3.50in-0]
3.7 - 7.3M [12 - 24FT]: +165.1mm-0 [+6.50in-0]
7.3-14.6M [24 - 48FT]: +317.5mm-0 [+12.50in-0]
14.6 - 30.5M [48-100FT]: +622.3mm-0 [+24.50in-0]
OVER 30M [100FT] +2% OF FINISHED LENGTH



- NOTES:**
- MATERIAL: AS NOTED
 - FINISH: AS NOTED
 - ELECTRICAL:
VOLTAGE: 483V PER IEC60664
600V PER UL2237
CURRENT: 15A
 - TEMP RATING: -20°C TO +90°C
 - PROTECTION: IP67 (WHEN MATED)
 - UL LISTED FILE: E258922
 - ALL DIMS ARE FOR REFERENCE UNLESS TOLERANCED OR NOTED OTHERWISE

WIRING DIAGRAM

| | P1 |
|--------------|----|
| BLACK #1 | 1 |
| BLACK #2 | 2 |
| BLACK #3 | 3 |
| GREEN/YELLOW | 4 |

PART NUMBER LEGEND

104006K21M010G

OVERMOLD OPTION
G=BLACK

FINISHED LENGTH
M001 = 0.1 METER
M010 = 1.0 METER
M100 = 10.0 METERS

| ITEM | DESCRIPTION | MATERIAL | FINISH |
|------|------------------------|---------------|------------------|
| 7 | WARNING LABEL | VINYL | ORANGE/BLACK |
| 6 | WRAP LABEL | VINYL | BLACK/YELLOW |
| 5 | OVERMOLD | TPE | BLACK |
| 4 | COUPLING NUT | ZINC DIE-CAST | BLACK E-COAT |
| 3 | PIN CONTACT | Cu ALLOY | GOLD OVER NICKEL |
| 2 | MALE INSERT | TPE | BLACK |
| 1 | CABLE, #14-4 TC-ER/MTW | TPE | BLACK |

THIS DOC SUPERSEDES SD-130061-039

| FUNCTIONAL SYMBOLS | THIS DRAWING CONTAINS INFORMATION THAT IS PROPRIETARY TO MOLEX ELECTRONIC TECHNOLOGIES, LLC AND SHOULD NOT BE USED WITHOUT WRITTEN PERMISSION | CURRENT REV DESC: UPDATED ITEM # 2&5 WERE PVC, MATERIAL & TOLERANCE TABLE & ADDED CABLE DIA. | | | | | | | | | | | | | | | | | | | |
|--|---|--|----------|---------|-------|---|---------------|---------------------------------------|--------------|------------|---------------|------------|----------------|---|--|-----------------|----------|--------------|-----------|----------------|--------|
| | <table border="1"> <thead> <tr> <th>DIMENSION UNITS</th> <th>SCALE</th> </tr> </thead> <tbody> <tr> <td>INCH/MM</td> <td>1.3:1</td> </tr> </tbody> </table> | DIMENSION UNITS | SCALE | INCH/MM | 1.3:1 | <table border="1"> <thead> <tr> <th colspan="2">GENERAL TOLERANCES (UNLESS SPECIFIED)</th> </tr> <tr> <th></th> <th></th> </tr> </thead> <tbody> <tr> <td>4 PLACES ±</td> <td>±</td> </tr> <tr> <td>3 PLACES ±</td> <td>±</td> </tr> <tr> <td>2 PLACES ±</td> <td>±</td> </tr> <tr> <td>1 PLACE ±</td> <td>±</td> </tr> <tr> <td>0 PLACES ±</td> <td>±</td> </tr> </tbody> </table> | | GENERAL TOLERANCES (UNLESS SPECIFIED) | | | | 4 PLACES ± | ± | 3 PLACES ± | ± | 2 PLACES ± | ± | 1 PLACE ± | ± | 0 PLACES ± | ± |
| DIMENSION UNITS | SCALE | | | | | | | | | | | | | | | | | | | | |
| INCH/MM | 1.3:1 | | | | | | | | | | | | | | | | | | | | |
| GENERAL TOLERANCES (UNLESS SPECIFIED) | | | | | | | | | | | | | | | | | | | | | |
| | | | | | | | | | | | | | | | | | | | | | |
| 4 PLACES ± | ± | | | | | | | | | | | | | | | | | | | | |
| 3 PLACES ± | ± | | | | | | | | | | | | | | | | | | | | |
| 2 PLACES ± | ± | | | | | | | | | | | | | | | | | | | | |
| 1 PLACE ± | ± | | | | | | | | | | | | | | | | | | | | |
| 0 PLACES ± | ± | | | | | | | | | | | | | | | | | | | | |
| DIVISIONAL SYMBOLS | <table border="1"> <thead> <tr> <th>ANGULAR TOL</th> <th></th> </tr> </thead> <tbody> <tr> <td>±</td> <td>°</td> </tr> </tbody> </table> | ANGULAR TOL | | ± | ° | <table border="1"> <tr> <td>EC NO: 718076</td> <td>2020/09/21</td> </tr> <tr> <td>DRWN: VHANDI</td> <td>2022/08/18</td> </tr> <tr> <td>CHK'D: RSTONE</td> <td>2022/08/22</td> </tr> <tr> <td>APPR: BWOODMAN</td> <td></td> </tr> </table> | EC NO: 718076 | 2020/09/21 | DRWN: VHANDI | 2022/08/18 | CHK'D: RSTONE | 2022/08/22 | APPR: BWOODMAN | | <p>molex</p> <p>BRAD POWER CORDET, M22 4 POLE, MALE, STRAIGHT, SINGLE KEY, 14 AWG</p> | | | | | | |
| | ANGULAR TOL | | | | | | | | | | | | | | | | | | | | |
| ± | ° | | | | | | | | | | | | | | | | | | | | |
| EC NO: 718076 | 2020/09/21 | | | | | | | | | | | | | | | | | | | | |
| DRWN: VHANDI | 2022/08/18 | | | | | | | | | | | | | | | | | | | | |
| CHK'D: RSTONE | 2022/08/22 | | | | | | | | | | | | | | | | | | | | |
| APPR: BWOODMAN | | | | | | | | | | | | | | | | | | | | | |
| <table border="1"> <thead> <tr> <th colspan="4">PRODUCT CUSTOMER DRAWING</th> </tr> <tr> <th>DOCUMENT NUMBER</th> <th>DOC TYPE</th> <th>DOC PART</th> <th>REVISION</th> </tr> </thead> <tbody> <tr> <td>1300610256</td> <td>PSD</td> <td>000</td> <td>A</td> </tr> </tbody> </table> | | PRODUCT CUSTOMER DRAWING | | | | DOCUMENT NUMBER | DOC TYPE | DOC PART | REVISION | 1300610256 | PSD | 000 | A | <table border="1"> <thead> <tr> <th>MATERIAL NUMBER</th> <th>CUSTOMER</th> <th>SHEET NUMBER</th> </tr> </thead> <tbody> <tr> <td>SEE TABLE</td> <td>GENERAL MARKET</td> <td>1 OF 1</td> </tr> </tbody> </table> | | MATERIAL NUMBER | CUSTOMER | SHEET NUMBER | SEE TABLE | GENERAL MARKET | 1 OF 1 |
| PRODUCT CUSTOMER DRAWING | | | | | | | | | | | | | | | | | | | | | |
| DOCUMENT NUMBER | DOC TYPE | DOC PART | REVISION | | | | | | | | | | | | | | | | | | |
| 1300610256 | PSD | 000 | A | | | | | | | | | | | | | | | | | | |
| MATERIAL NUMBER | CUSTOMER | SHEET NUMBER | | | | | | | | | | | | | | | | | | | |
| SEE TABLE | GENERAL MARKET | 1 OF 1 | | | | | | | | | | | | | | | | | | | |