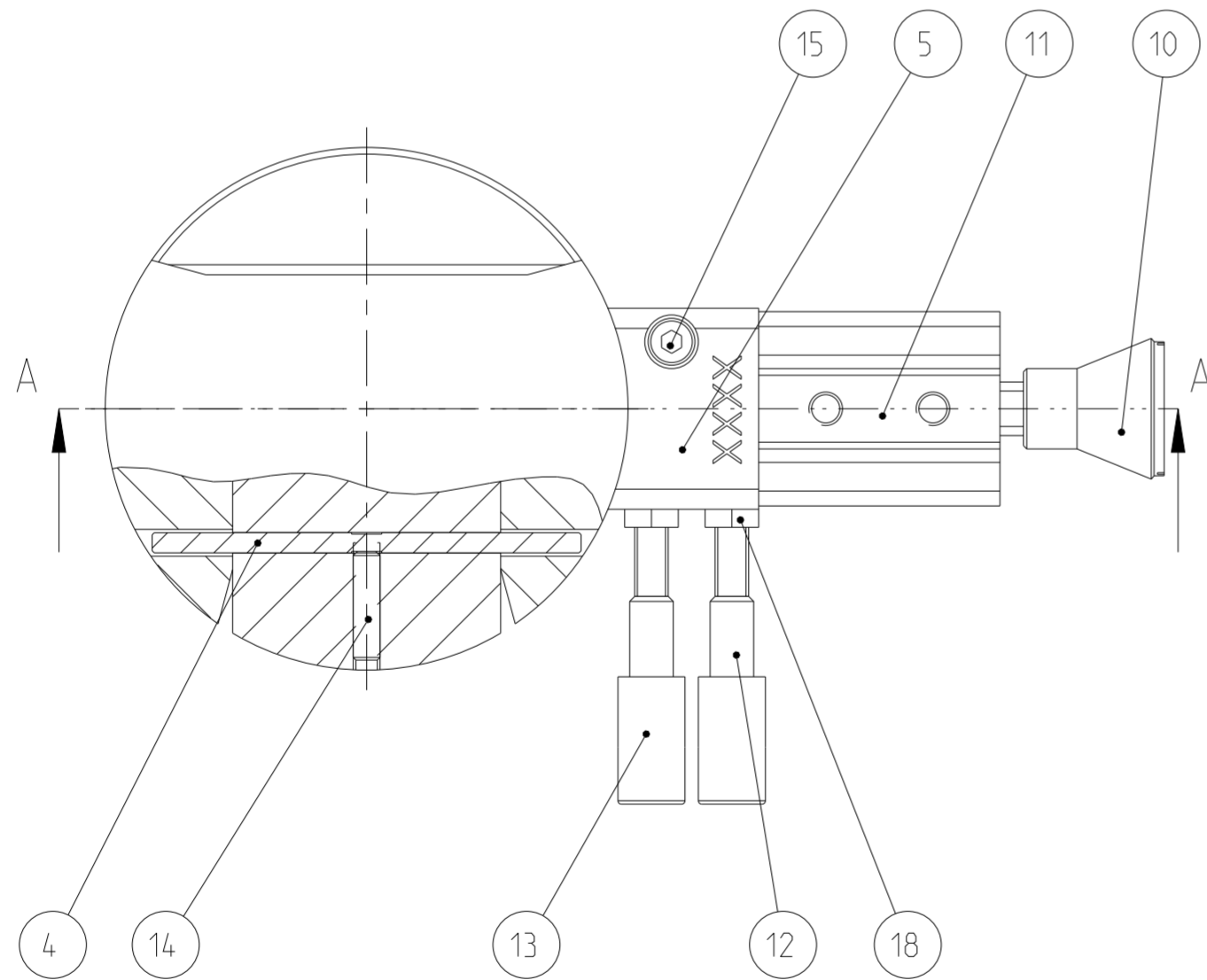
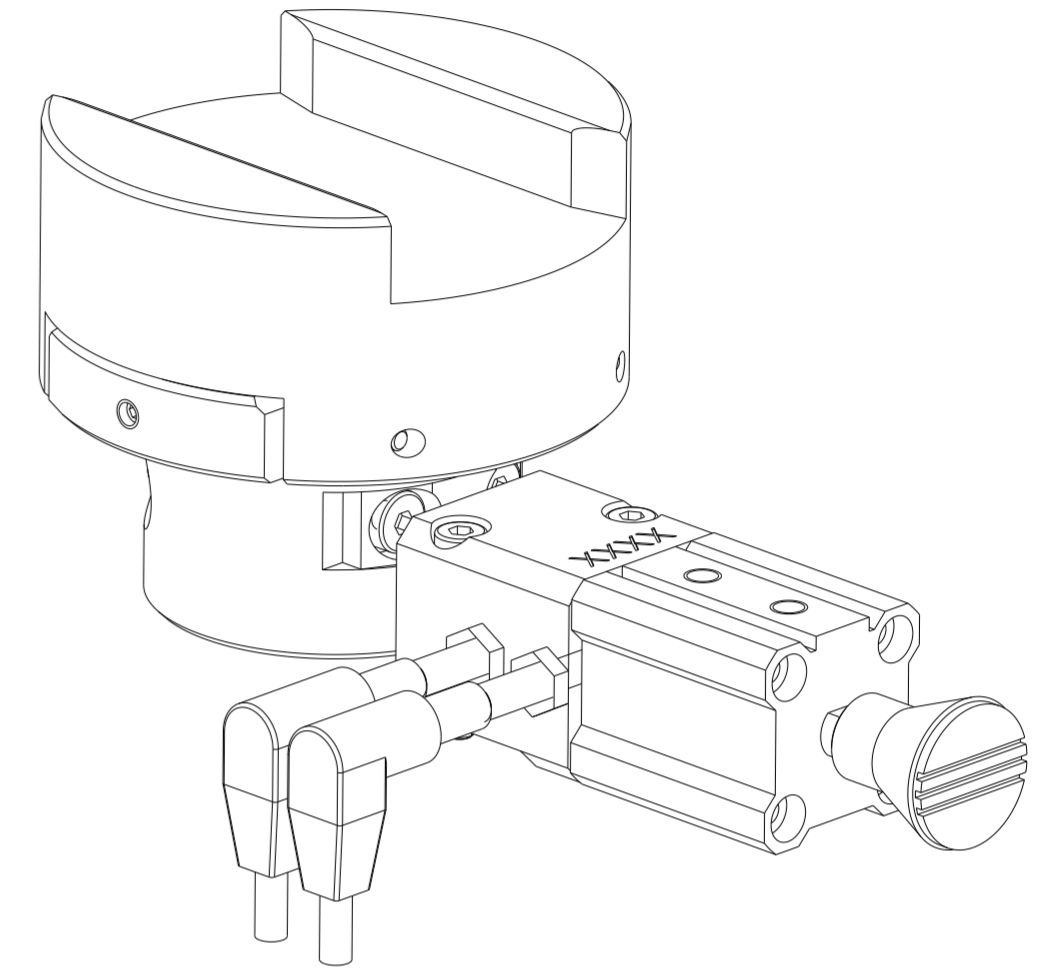
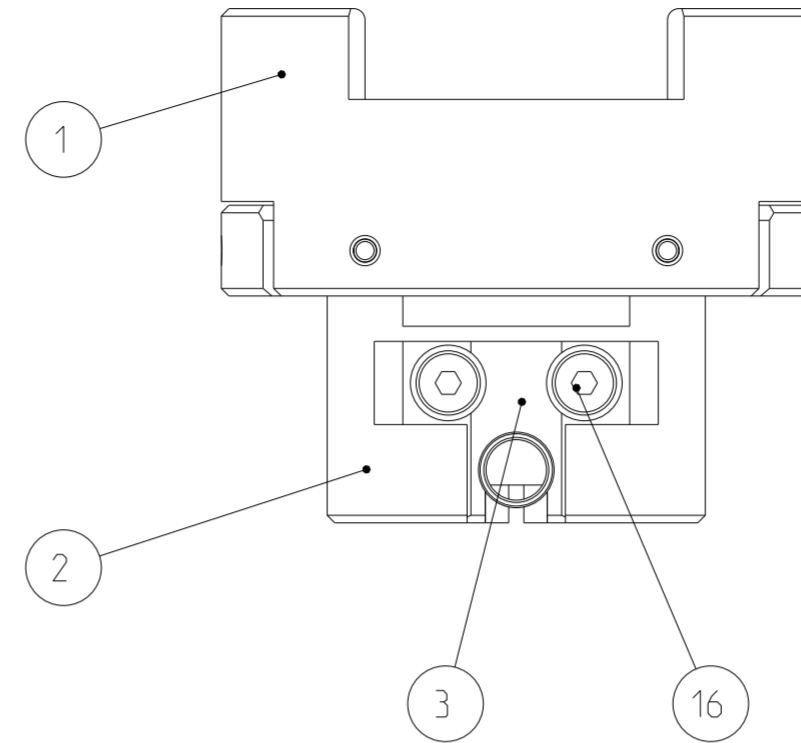
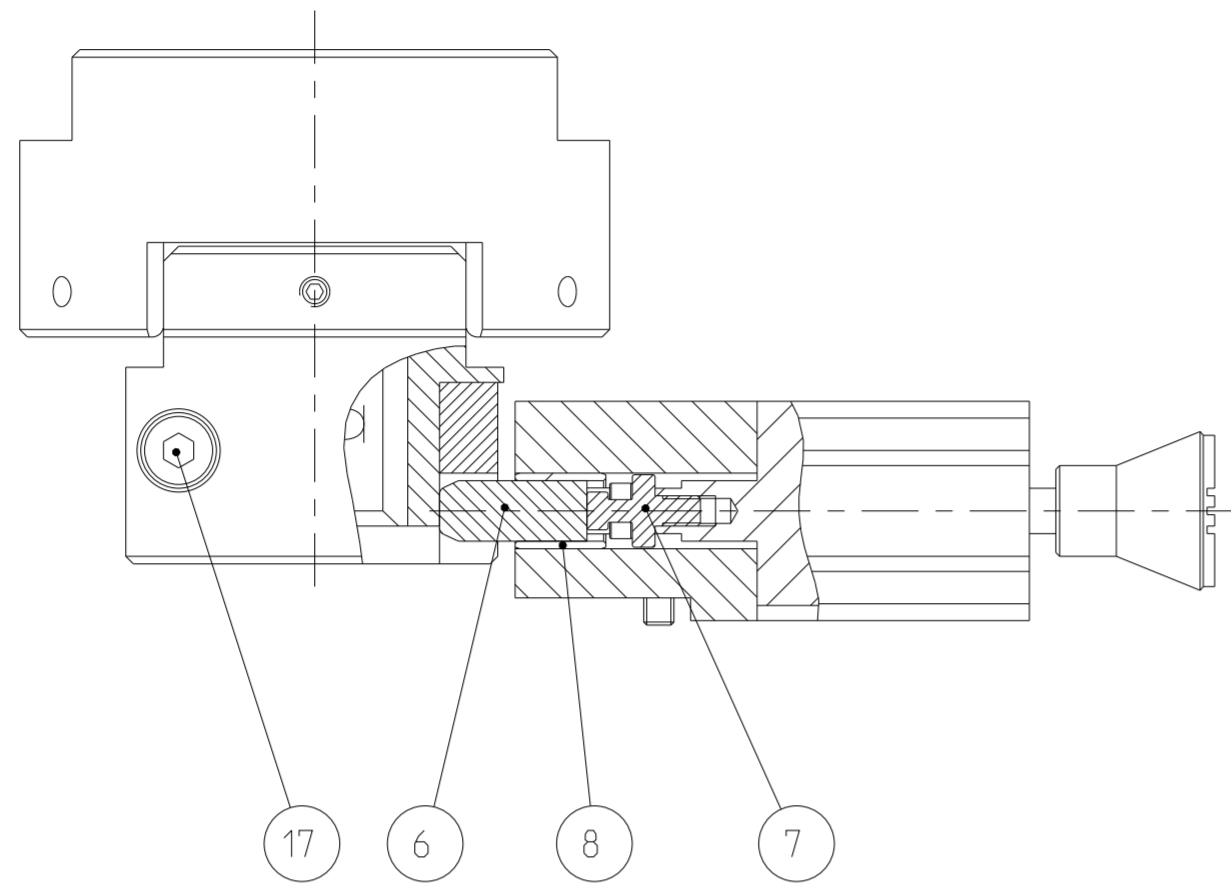


THIS DRAWING IS UNPUBLISHED. RELEASED FOR PUBLICATION 2012
 © COPYRIGHT 2012 BY Tyco Electronics AMP GmbH ALL RIGHTS RESERVED.

REVISIONS					
P	LTR	DESCRIPTION	DATE	DWN	APVD
B1		REVISED PER ECR-14-000424	14 JAN2014	MM	SB
C		REVISED PER ECR-22-154776	29APR2022	SC	-

A-A



POS	QTY	TE/PN	PART REV	DESCRIPTION	WEAR	SPARE
1	1	8-1372295-0	B1	KUPPLUNG COUPLING	-	-
2	1	1372234-3	C1	KUPPLUNGSFLANSCH COUPLING FLANGE	-	-
3	1	1372234-8	B1	EINSATZ INSERT	-	-
4	2	1-1372234-6	C1	Stift pin	-	-
5	1	539134-8	A	GRUNDKOEPPER BASE BLOCK	-	-
6	1	1-1372469-0	A1	VERRIEGELUNGSBOLZEN LOCKING BOLT	-	-
7	1	3-539284-8	A1	KUPPLUNGSBOLZEN-M4 COUPLING BOLT-M4	-	-
8	1	2-993136-0	A	Bearing, sleeve DU-Buchse	-	-
10	1	1372027-1	A1	PILZGRIFF 6241-04 MUSHROOM KNOB	-	YES
11	1	1-518530-0	A	Zylinder cylinder	-	YES
12	2	4-523159-7	A	INITIATOR PROXIMITY SWITCH	-	YES
13	2	2030564-2	A	STECKER - 90°.5M CABLE 90°.5M	-	YES
14	2	3-519011-3	B	SCREW M4x16 DIN 913	-	YES
15	2	2-519000-5_GATD_DKB	A2	Zylinderschr. M4x25 DIN 912 SCREW DIN EN ISO 4762	-	YES
16	2	1-519002-5_GATD_DKB	A1	Zylinderschr. M5x10 DIN 7984	-	YES
17	1	2-519002-5_GATD_DKB	A1	Zylinderschr. M6x16 DIN 7984	-	YES
18	2	519019-6	A	Mutter M5 DIN 934 Hexagonal Nut M5 DIN 934	-	YES

Kupplung 8mm erhöht zum Standard

THIS DRAWING IS A CONTROLLED DOCUMENT. DWN 20AUG2009
 D. Reissig
 CHK -
 APVD -
 PRODUCT SPEC -
 APPLICATION SPEC -
 WEIGHT -
 CUSTOMER DRAWING

STE TE Connectivity

NAME: KUPPLUNG MIT VERRIEGELUNG
 LOCKING COUPLING

SIZE: A2 CAGE CODE: - DRAWING NO: C-1372057-3 RESTRICTED TO: -
 SCALE: 1:1 SHEET: 1 OF 1 REV: C