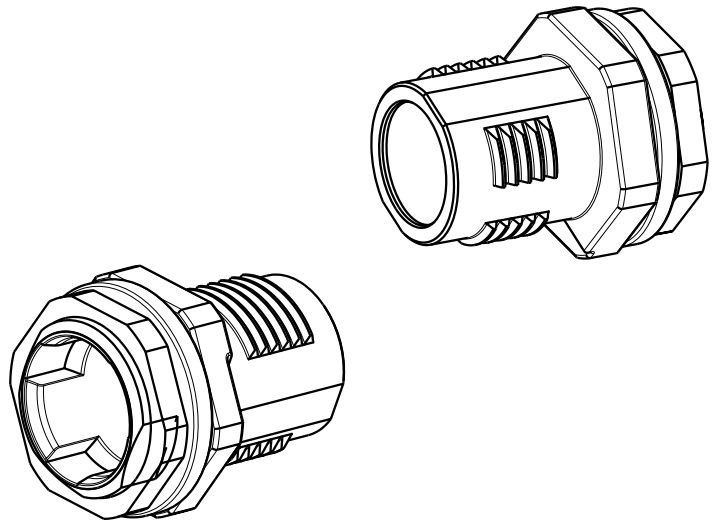
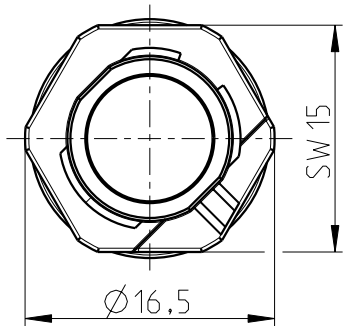
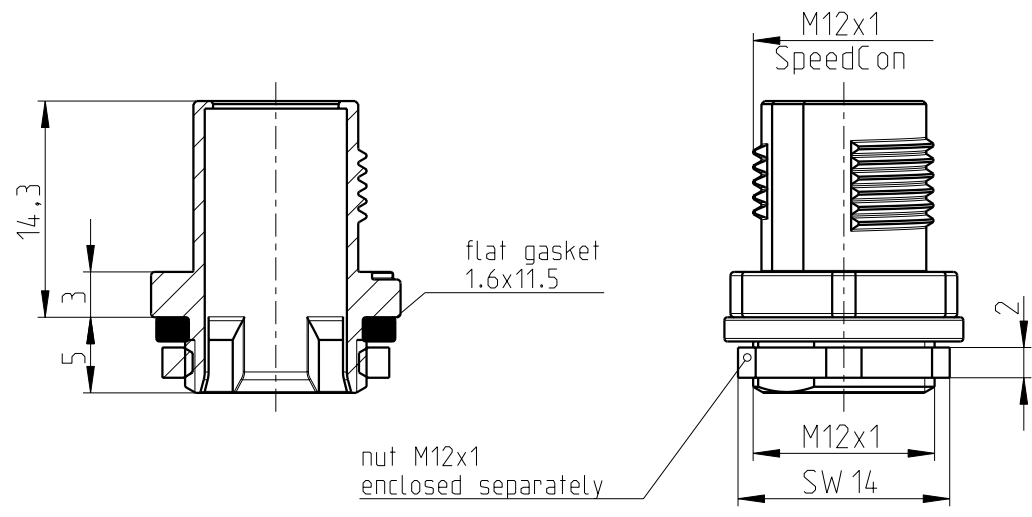


The copying, distribution and utilization of this document as well as the communication of the contents to others without expressed authorization is prohibited according to §18 UWG German Law. Offenders will be held liable for the payment of damages according to §19 UWG German Law. All rights reserved, in particular the right to carry out patent, utility model or ornamental design registrations.

Weitergabe sowie Vervielfältigung dieses Dokuments, Verwertung und Mitteilung seines Inhalts gem §18 UWG verboten, soweit nicht ausdrücklich gestattet. Zuwiderhandlungen verpflichten zu Schadensersatz (§19 UWG). Alle Rechte vorbehalten, insbesondere das Recht, Patent-, Gebrauchsmuster- oder Geschmacksmusteranmeldungen durchzuführen. CONINVERS GmbH Heisenbergstrasse 1 D-71083 Herrenberg

Mechanical data (according to IEC 61076-2-101)	
Locking thread	M12 SPEEDCON
Material	
flange housing	GD-ZN, nickel plated
sealing gasket	HNBR
nut	brass, nickel-plated
temperature range	-40 °C to +85 °C

further information:  
 - see installation recommendation  
 SACC-M12-SCO PLUG L 90



All specified data refers to the mounted M12 installation plugs ≥ IP54 and requires that the connector pair be correctly plugged and locked. Influences from wires, cables or PCB mounting are also to be taken into consideration.

general tolerance acc. to DIN ISO 2768-c		technical changes reserved		Index 1 / 2012-04-12		scale: 2:1	
design	date	name		Series DSIV M12 SPEEDCON housing screw connection male SW 15 / screw connection / flat gasket			
2012-04-12	Thumm		page: 1 of: 1				
drawing-no.:		BS-0000000M900		doc.-no.:		00655896	
order-no.:		1436709					
article designation:		SACC-M12-SCO PLUG L 90					

