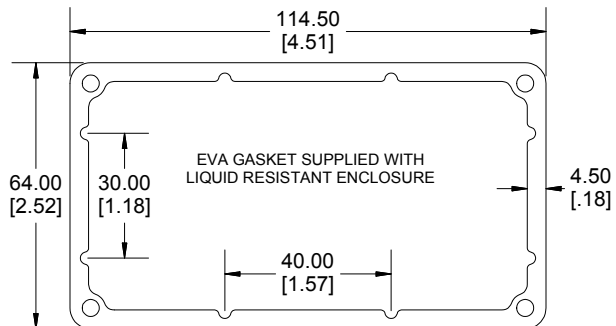
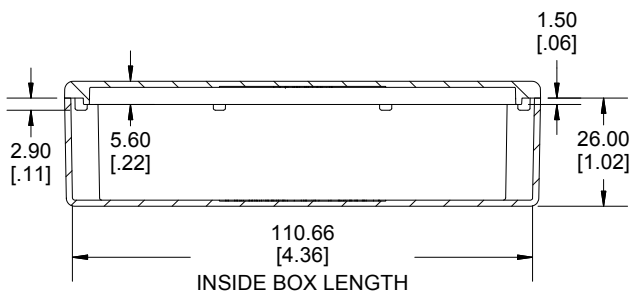
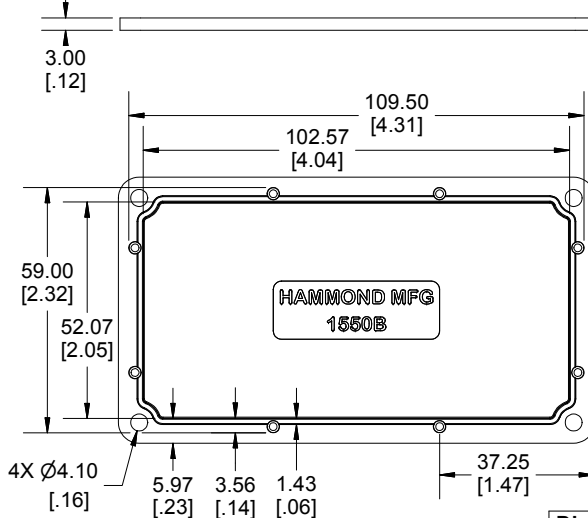
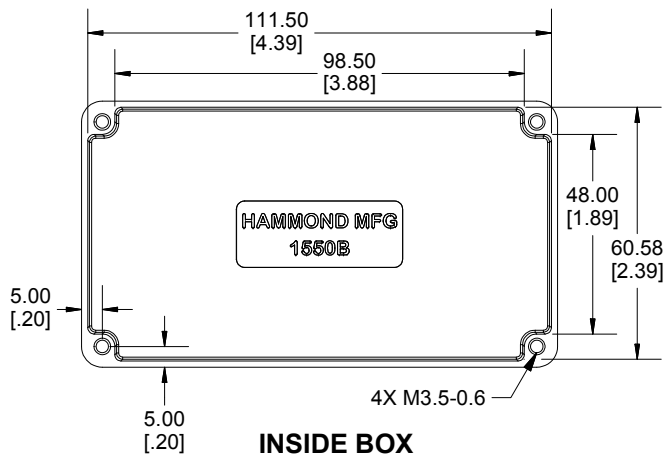


**SECTION A-A
END VIEW**



**SECTION B-B
SIDE VIEW**



Enclosures can be Factory Modified (Milling, Drilling, Printing etc.)
Contact Factory mjm@hammondmfg.com for quotes
Solid models of this enclosure available in STEP or IGES.

NOTE	
Purchased assembly includes box, lid and 4 cover screws.	
Box and lid are made from Diecast Aluminum Alloy.	
EVA Gasket supplied with liquid resistant enclosure.	

PART NUMBERS	
1550B Enclosure	
Natural Finish Enclosure	1550B
Black Textured Enclosure	1550BBK
1550B Liquid Resistant Enclosure (EVA Gasket)	
Natural Finish Enclosure	1550WB
Black Textured Enclosure	1550WBBK
ACCESSORIES	
Recommended Torque: 75 ozf.in / 55 cN.m	
Standard Cover Screws	
Plated Cover Screws (Pkg 100) [M3.5-0.6 x 12mm]	1550MS100
Black Cover Screws (Pkg 100) [M3.5-0.6 x 12mm]	1550MS100BK
Liquid Resistant Cover Screws and Gaskets	
Stainless Steel Cover Screws (Pkg 100) [M3.5 x 12mm, With O-Ring]	1550WMS100
Black Stainless Steel Cover Screws (Pkg 100) [M3.5 x 12mm, With O-Ring]	1550WMS100BK
EVA Pre-formed Gasket Black	1550BEGASKET
Silicone Pre-formed Gasket Black	1550BSGASKET

**HAMMOND
MANUFACTURING®**

1550B

www.hammondmfg.com

Dimensions:
mm
[inches]