

## Connector - QPD P 3PE2,5 6-10 BK BK - 1582637

Please be informed that the data shown in this PDF Document is generated from our Online Catalog. Please find the complete data in the user's documentation. Our General Terms of Use for Downloads are valid (<http://download.phoenixcontact.com>)



QUICKON connector, black, 4-pos. with PE, 1.0 mm mm<sup>2</sup> ... 2.5 mm<sup>2</sup>/630 V/20 A, for cables with a diameter of 6 mm ... 10 mm.

### Product Features

- ✓ Innovative and time saving - QUICKON fast connection for time saving of up to 80% for on-site connection
- ✓ Convenient: quick and easy assembly without special tools
- ✓ Robust throughout: housing with IP68/IP69K and IK07 protection for a wide range of applications
- ✓ Safer connection thanks to polarization against mismatching and touch-proof protection according to DIN EN 0105
- ✓ Easy maintenance - the connectors enable fast device replacement and simplify startup thanks to pre-assembled cables



### Key commercial data

Packing unit	1 PCE
Custom tariff number	85366990
Country of origin	Germany

### Technical data

#### General

Design	QPD 3PEx2,5
Color	black
Locking type	Screw locking
Connection method	QUICKON connection
	IDC connection
Number of positions	4
Note number of positions	3+PE
Wrench size, union nut	22 mm
Tightening torque, union nut	5 Nm
Number of connections	4
Conductor cross section stranded min.	1 mm <sup>2</sup>

# Connector - QPD P 3PE2,5 6-10 BK BK - 1582637

## Technical data

### General

Conductor cross section stranded max.	2.5 mm <sup>2</sup>
Conductor cross section solid min.	1 mm <sup>2</sup>
Conductor cross section solid max.	2.5 mm <sup>2</sup>
Conductor cross section AWG/kcmil min.	16
Conductor cross section AWG/kcmil max	14

### Conductor

Structure of individual litz in acc. with VDE 0295 / smallest wire diameter	VDE 0295 class 1 to 6 / min. 0.15 mm
Wire insulation material	PVC/PE/TPE/rubber
Wire diameter including insulation	2.5 mm ... 3.8 mm
External cable diameter	6 mm ... 10 mm

### Ambient conditions

Degree of protection	IP68 (2 m / 24 h)
	IP69K
Ambient temperature (operation)	-40 °C ... 80 °C
Ambient temperature (storage/transport)	-40 °C ... 80 °C
Temperature when conductor connected	-5 °C ... 50 °C

### Electrical characteristics

Nominal current I <sub>N</sub>	20 A
Rated current	20 A
Rated voltage (III/3)	690 V
Rated voltage (III/2)	1000 V
Rated voltage (II/2)	1000 V
Rated surge voltage (III/3)	6 kV
Rated surge voltage (III/2)	8 kV
Rated surge voltage (II/2)	8 kV

### Mechanical characteristics

QUICKON connectability	max. 10
Insertion/withdrawal cycles	50

### Material data

Contact material	Cu
Contact surface material	Silver-plated
Contact carrier material	PA
Insulating material	PA
Inflammability class according to UL 94	V0
Surge voltage category	III

# Connector - QPD P 3PE2,5 6-10 BK BK - 1582637

## Technical data

### Material data

Pollution degree	3
------------------	---

## Classifications

### eCl@ss

eCl@ss 4.0	27140815
eCl@ss 4.1	27140815
eCl@ss 5.0	27143423
eCl@ss 5.1	27143423
eCl@ss 6.0	27143423
eCl@ss 7.0	27449001
eCl@ss 8.0	27449001

### ETIM

ETIM 4.0	EC002061
ETIM 5.0	EC002061

### UNSPSC

UNSPSC 6.01	30211923
UNSPSC 7.0901	39121522
UNSPSC 11	39121522
UNSPSC 12.01	39121522
UNSPSC 13.2	39121522

## Approvals

### Approvals

---

#### Approvals

UL Listed / cUL Listed / GOST / cULus Listed

---

#### Ex Approvals

---

#### Approvals submitted

---

# Connector - QPD P 3PE2,5 6-10 BK BK - 1582637

## Approvals

### Approval details

UL Listed	
mm <sup>2</sup> /AWG/kcmil	16
Nominal current I <sub>N</sub>	10 A
Nominal voltage U <sub>N</sub>	600 V

cUL Listed	
mm <sup>2</sup> /AWG/kcmil	16
Nominal current I <sub>N</sub>	10 A
Nominal voltage U <sub>N</sub>	600 V

GOST	
------	--

cULus Listed	
--------------	--

## Accessories

### Accessories

#### Coding element

Coding profile - CP-QPD - 1582459



Coding profile red, for pushing into the QUICKON dome and connector, can be positioned in 90° steps.

## Device marking

## Connector - QPD P 3PE2,5 6-10 BK BK - 1582637

### Accessories

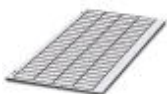
Plastic label - EMLP (13X9)R - 0819453



Plastic label, Roll, white, Unlabeled, Can be labeled with: THERMOMARK ROLL, THERMOMARK X, THERMOMARK S1.1, Mounting type: Adhesive, Lettering field: 13 x 9 mm

---

Engraving material - GPE 13X 9 WH - 0806932



Engraving material, Sheet, white, Unlabeled, Can be labeled with: Engraving, Plotter, Mounting type: Adhesive, Lettering field: 13 x 9 mm

---

### Protective cap

Protective cap - QPD PSK 2,5 - 1582151



Protective cap made of transparent plastic for QPD connectors 4x 2.5 mm<sup>2</sup>, IP50.

---

### Seal

Grommet - KV-DI-PG16-1XASI - 1582462



Seal for one AS-i line, 17.2 x 9 mm, from NBR, black, for IP65/67 degree of protection

---

Grommet - KV-DI-PG16-2XASI - 1582464



Seal for two AS-i lines, 17.2 x 9 mm, from NBR, black, for IP65/67 degree of protection

# Connector - QPD P 3PE2,5 6-10 BK BK - 1582637

## Accessories

Socket spanner

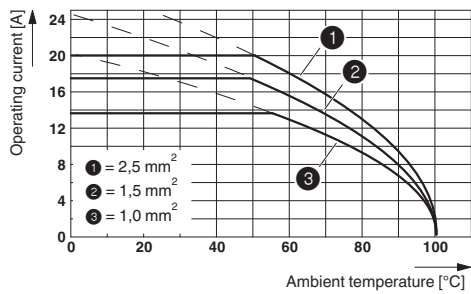
Socket wrench - QSS 22 - 1670206



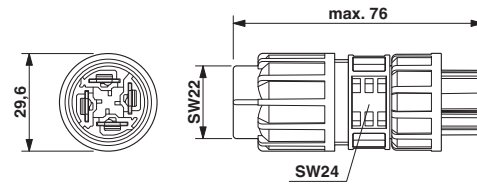
Allen wrench, for loosening and fastening the QUICKON union nut, WAF 22 mm

## Drawings

Diagram



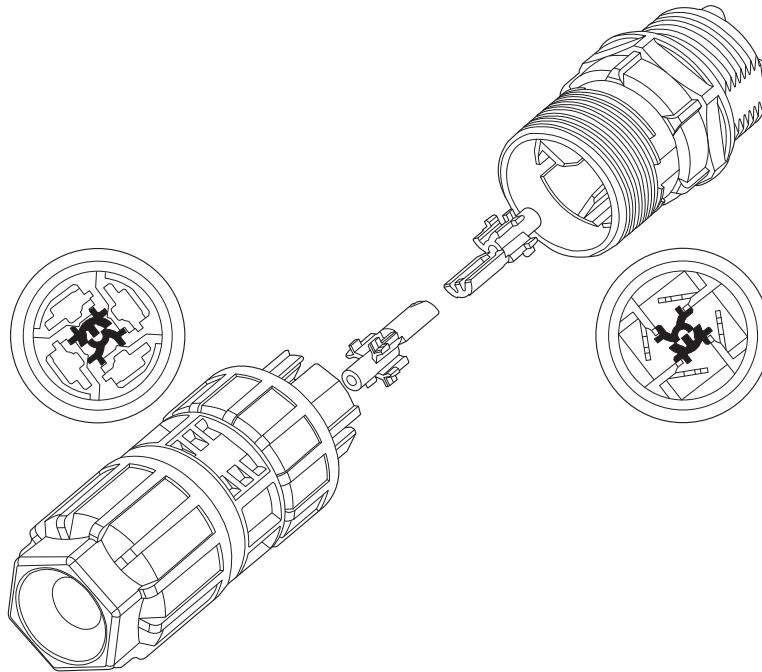
Dimensioned drawing



Dimensional drawing: connector, 2.5 mm<sup>2</sup>

## Connector - QPD P 3PE2,5 6-10 BK BK - 1582637

Schematic diagram



Coding of the QUICKON plug-in connection