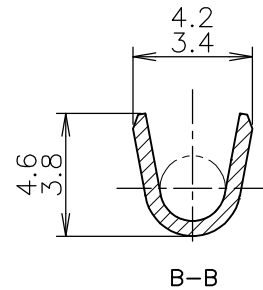
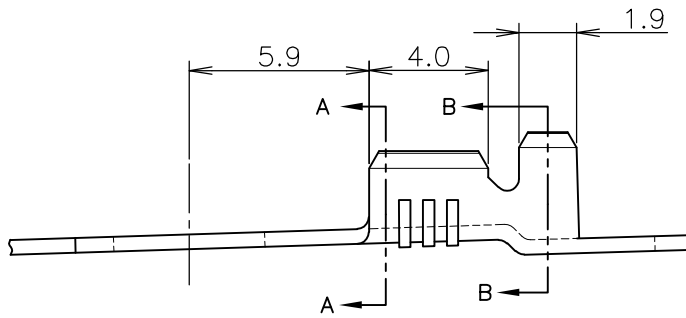
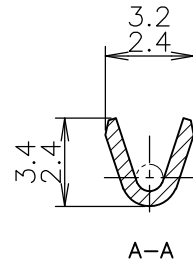
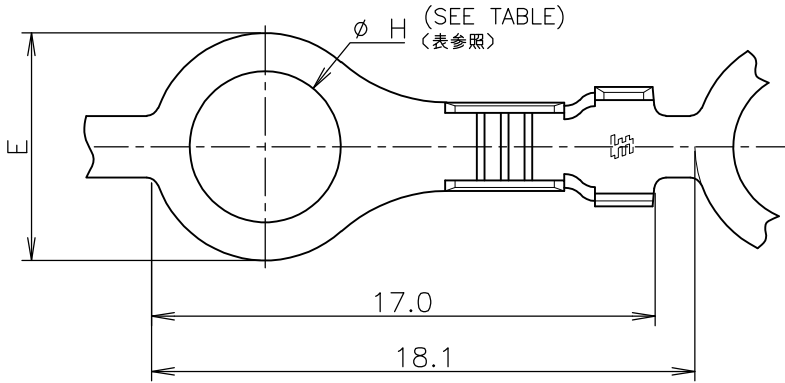


LOC J	DIST /	REVISIONS 変更			DATE	DWN	APVD
-*; AS SHOWN		P	LTR	DESCRIPTION	18NOV2010	T.T	T.M
			C	REDRAWN AND REVISED ECR-10-013601			



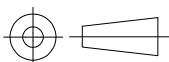
#8	4.34	7.5	—H—	TIN PL 錫めっき	170225-2
#6	3.68	7.5	—H—	TIN PL 錫めっき	170225-1
STUD	H±0.08	E±0.17	LOOSE PIECE NO. ばら状端子型番 (パレルはブリクランプ)	FINISH 仕上	P/N 連鎖状端子型番

CLASS 分類	RING 丸型	TYPE 型式	AUTOMATIC オートマチック	WIRE RANGE 抱合電線断面積	AWG #22-#18 0.3~0.89 mm ²	INSULATION DIA 被覆外径	1.52~2.79 mm ϕ
-------------	------------	------------	----------------------	-----------------------	---	------------------------	---------------------

DIMENSIONS: 単位: 耗 mm	DWN T.TSUZAKI	05NOV2010	MATERIAL 材料	黄銅 BRASS 0.5t	FINISH 仕上	表参照 SEE TABLE
----------------------------	------------------	-----------	----------------	---------------	--------------	---------------

TOLERANCES UNLESS OTHERWISE SPECIFIED:
一般公差

- 0 PLC ±
- 1 PLC ±
- 2 PLC ± 0.4
- 3 PLC ±
- 4 PLC ±
- ANGLES ± 1'



CHK T.MASUDA	18NOV2010
APVD T.MASUDA	18NOV2010

PRODUCT SPEC
製品規格

APPLICATION SPEC
取付適用規格

WEIGHT

NAME 名称	RING TERMINAL 丸型端子		
------------	-----------------------	--	--

Tyco Electronics Corporation
Kawasaki, Japan

SIZE	CAGE CODE	DRAWING NO 番号	RESTRICTED TO
A4	00779	170225	

CUSTOMER DRAWING	SCALE 尺度	4:1	SHEET	1 OF 1	REV	C
------------------	-------------	-----	-------	--------	-----	---

RELEASED FOR PUBLICATION OCT , 1976.

ALL INTERNATIONAL RIGHTS RESERVED.

COPYRIGHT 1976 BY TYCO ELECTRONICS CORPORATION.

THIS DRAWING IS UNPUBLISHED.