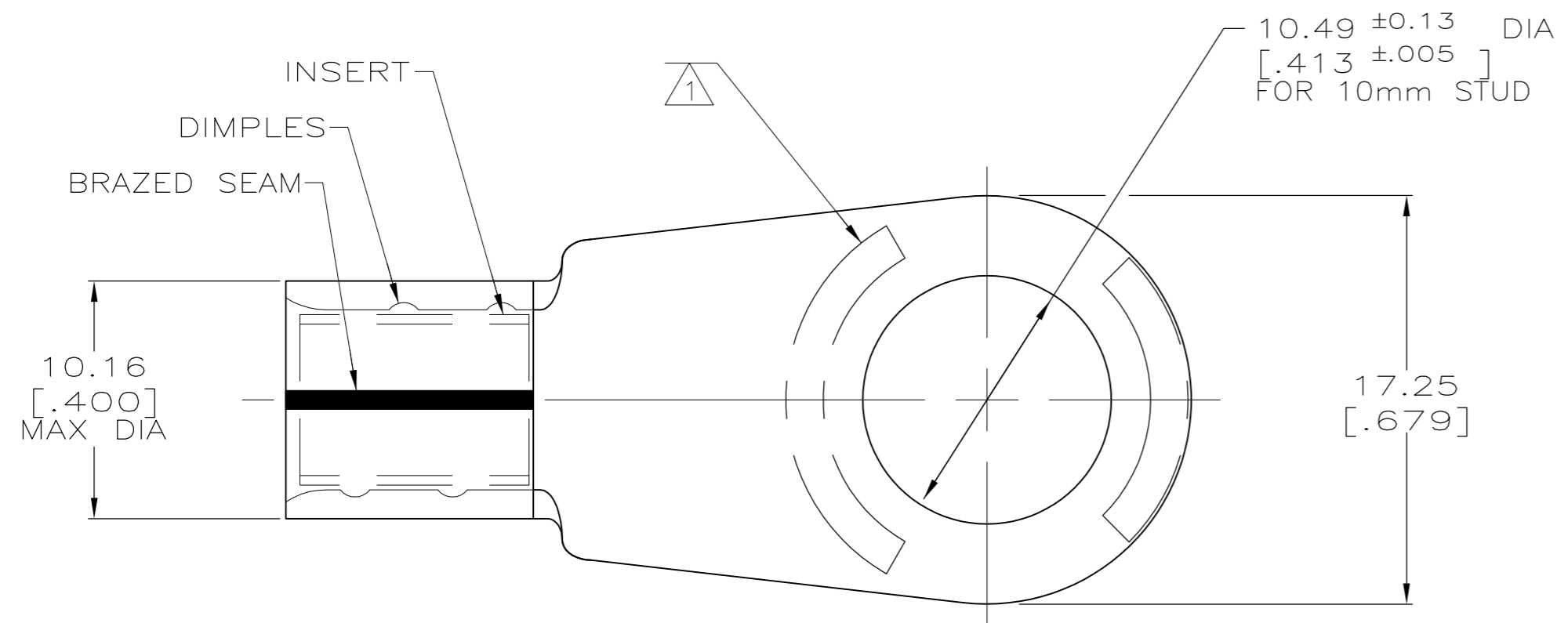
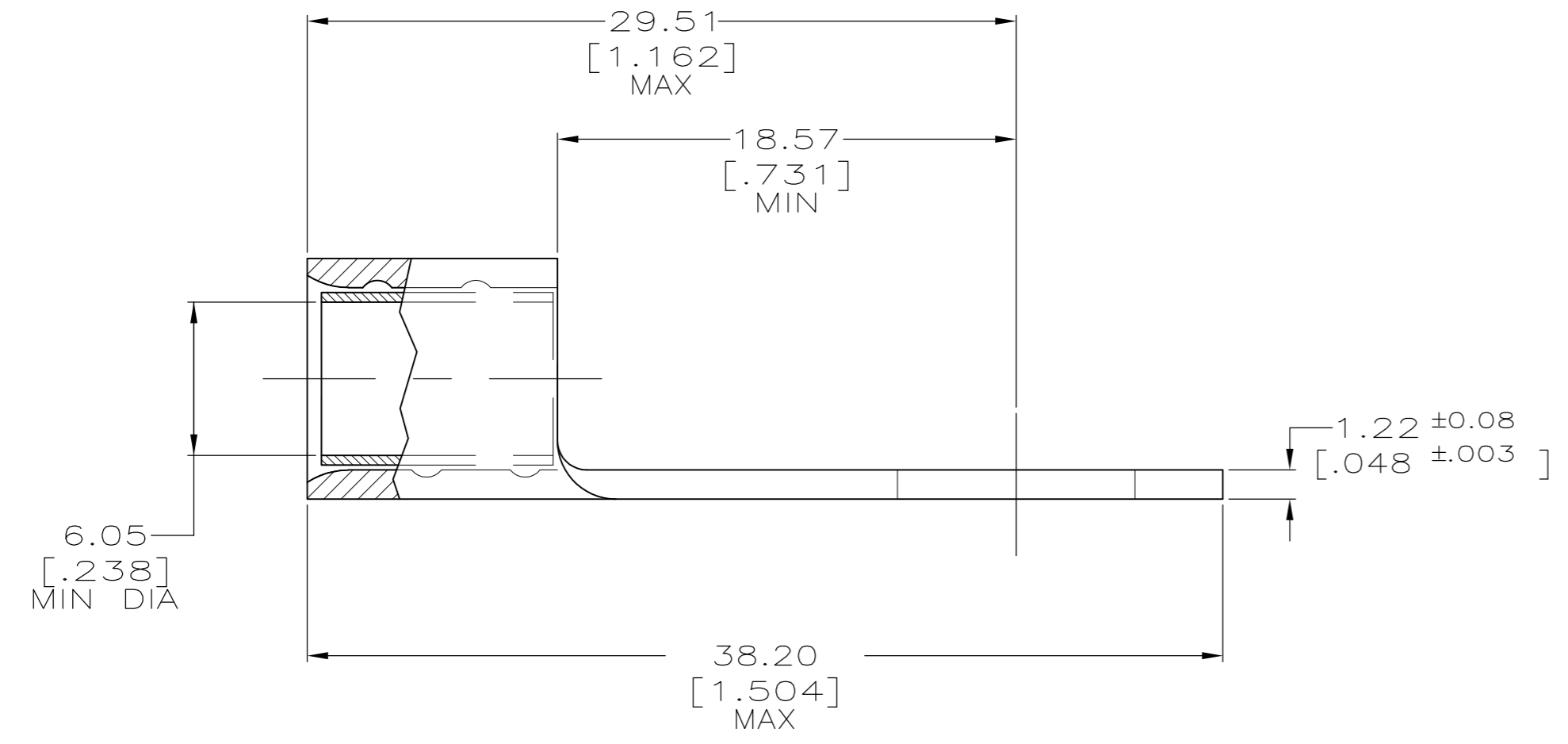


THIS DRAWING IS UNPUBLISHED. RELEASED FOR PUBLICATION
 © COPYRIGHT - By - ALL RIGHTS RESERVED.

LOC	DIST	REVISIONS			
P	LTR	DESCRIPTION	DATE	DWN	APVD
-	-	A	REV PER ECO 13-016525	12-10-13	CT JW



△ STAMP AMP 6 AL90CU APPROX AS SHOWN



**AMP INCORPORATED
 CUSTOMER SERVICE SYSTEMS**

MAX RECOMMENDED OPERATING TEMPERATURE:
 150° C MAX

FOR ADDITIONAL PRODUCT INFORMATION OR COPIES OF DRAWINGS AND TECHNICAL DOCUMENTS
 PRODUCT INFORMATION CENTER
 1-800-522-6752

VOLTAGE RATING:
 NOT APPLICABLE

FOR APPLICATION TOOLING INFORMATION
 TOOLING ASSISTANCE CENTER
 1-800-722-1111

WIRE CROSS SECTIONAL AREA RANGE:
 10.5-16.8mm² [20,800-33,100] CIR MILS
 SOLID OR STRANDED

FOR ORDER ENTRY
 1-800-526-5142

THIS DRAWING IS A CONTROLLED DOCUMENT FOR AMP INCORPORATED. IT IS SUBJECT TO CHANGE AND THE CONTROLLING ENGINEERING ORGANIZATION SHOULD BE CONTACTED FOR THE LATEST REVISION.

BODY: COPPER PER ASTM B-152 TIN PLATE 0.00254[.000100] MIN THK PER MIL-T-10727	184079-1
INSERT: COPPER PER ASTM B-152 TIN PLATE 0.00254[.000100] MIN THK PER MIL-T-10727	
PART NO	

THIS DRAWING IS A CONTROLLED DOCUMENT.		DWN DK SCHRUM 18JUL94	TE Connectivity
DIMENSIONS: INCHES		CHK AJ KAUFMAN 20JUL94	
TOLERANCES UNLESS OTHERWISE SPECIFIED:		APVD -	NAME
0 PLC ± -		PRODUCT SPEC -	TERMINAL, RING TONGUE, COPALUM TM
1 PLC ± -		APPLICATION SPEC -	
2 PLC ± -		WEIGHT -	
3 PLC ± -		SCALE 4:1	
4 PLC ± -		FINISH SEE TABLE	SHEET 1 of 1
MATERIAL SEE TABLE		RESTRICTED TO -	REV A
CUSTOMER DRAWING		SIZE A2	CAGE CODE 00779
		DRAWING NO C-184079	