

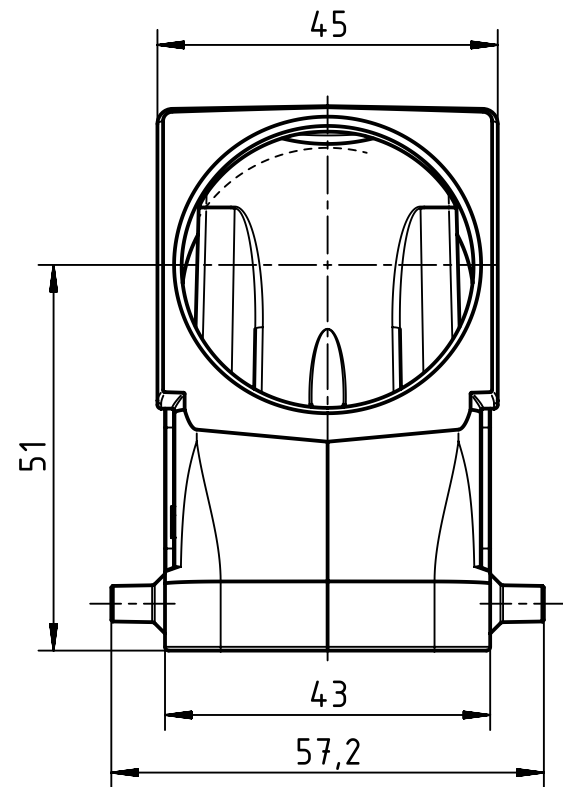
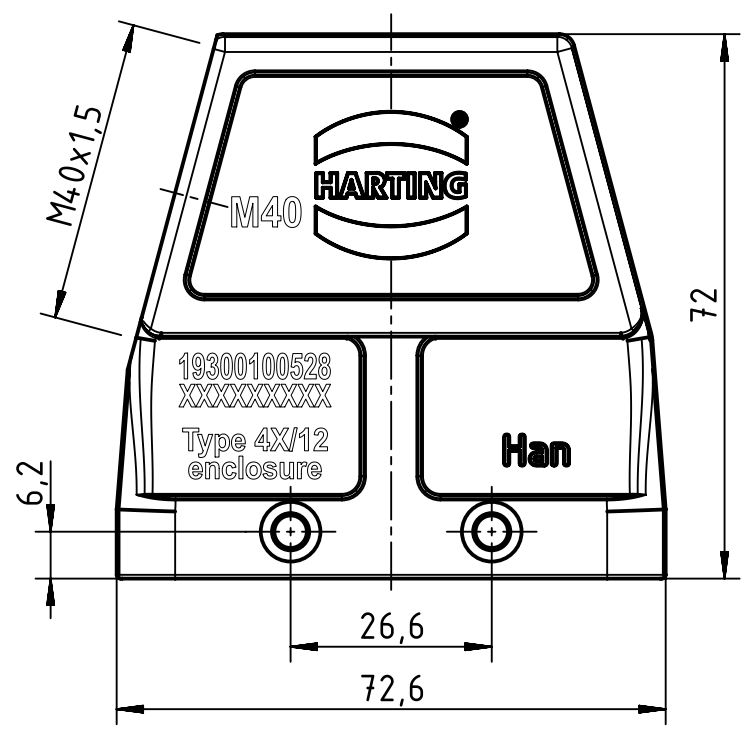
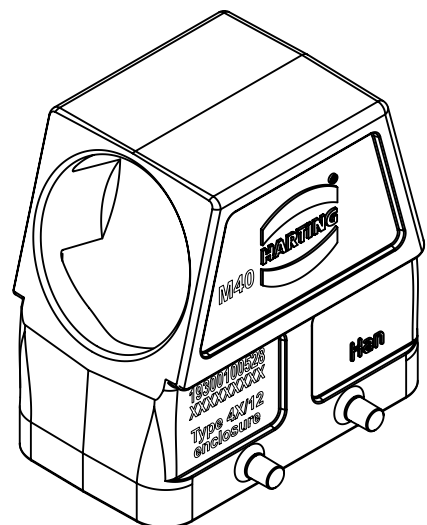
1 2 3 4 5 6

A

B

C

D



	All Dimensions in mm Original Size DIN A4		Scale 1:1	Free size tol.		Ref.
						Sub.
	All rights reserved		Created by SPRENB	Inspected by GERB	Standardisation GARSKE	Date 2020-02-24
	Department EL PD					State Final Release
HARTING Electric GmbH & Co. KG D-32339 Espelkamp			Title Han 10B-HSE-M40			Doc-Key / ECM-Nr. 100540495/UGD/004/C 500000163189
			Type TB	Number 19 30 010 0528		Rev. C
						Page 1/1