

1 2 3 4 5 6

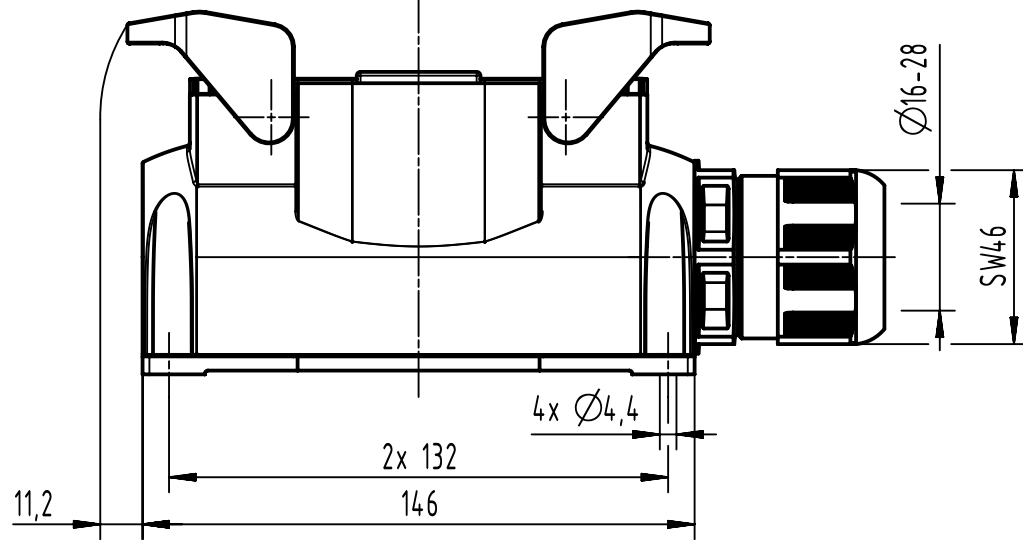
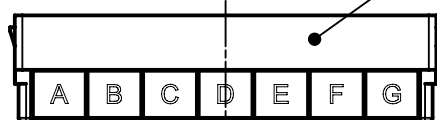
A

B

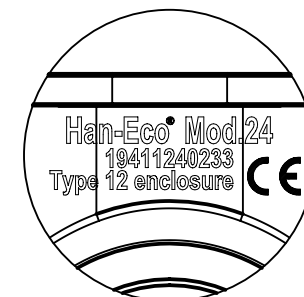
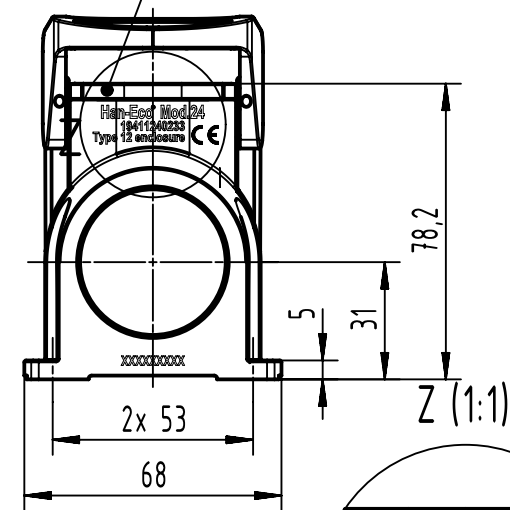
C

D

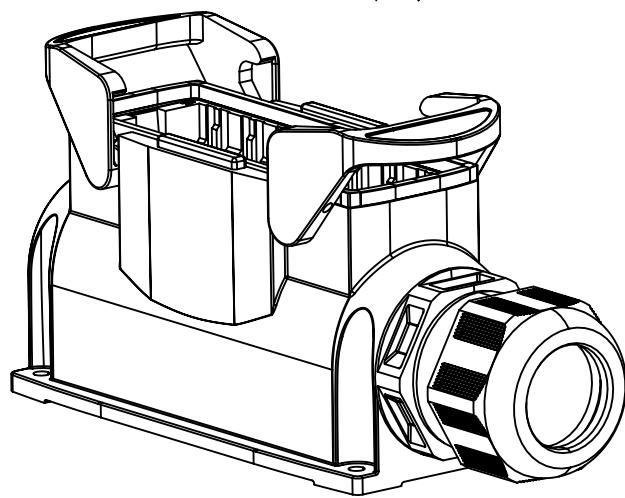
adapter frame



seal



adapter frame and cable gland are enclosed



| | | | | | | | |
|------------------------------|--|--|--------------------------|----------------------|------------------------|--|--------------------|
| | All Dimensions in mm Original Size DIN A4 | | Scale 1:2 | Free size tol. | | Ref. Sub. | |
| | | All rights reserved Department EL PD | | Created by 402918 | Inspected by 402602 | Standardisation 302077 | Date 2021-03-22 |
| HARTING D-32339 Espelkamp | | Title Han-Eco Mod.24-HSM1-M40-glanded | | | | Doc-Key / ECM-Nr. 100222556/UGD/006/F 500000190244 | |
| | | Type TB | Number 19 41 124 0233 | | | Rev. F | Page 1/1 |