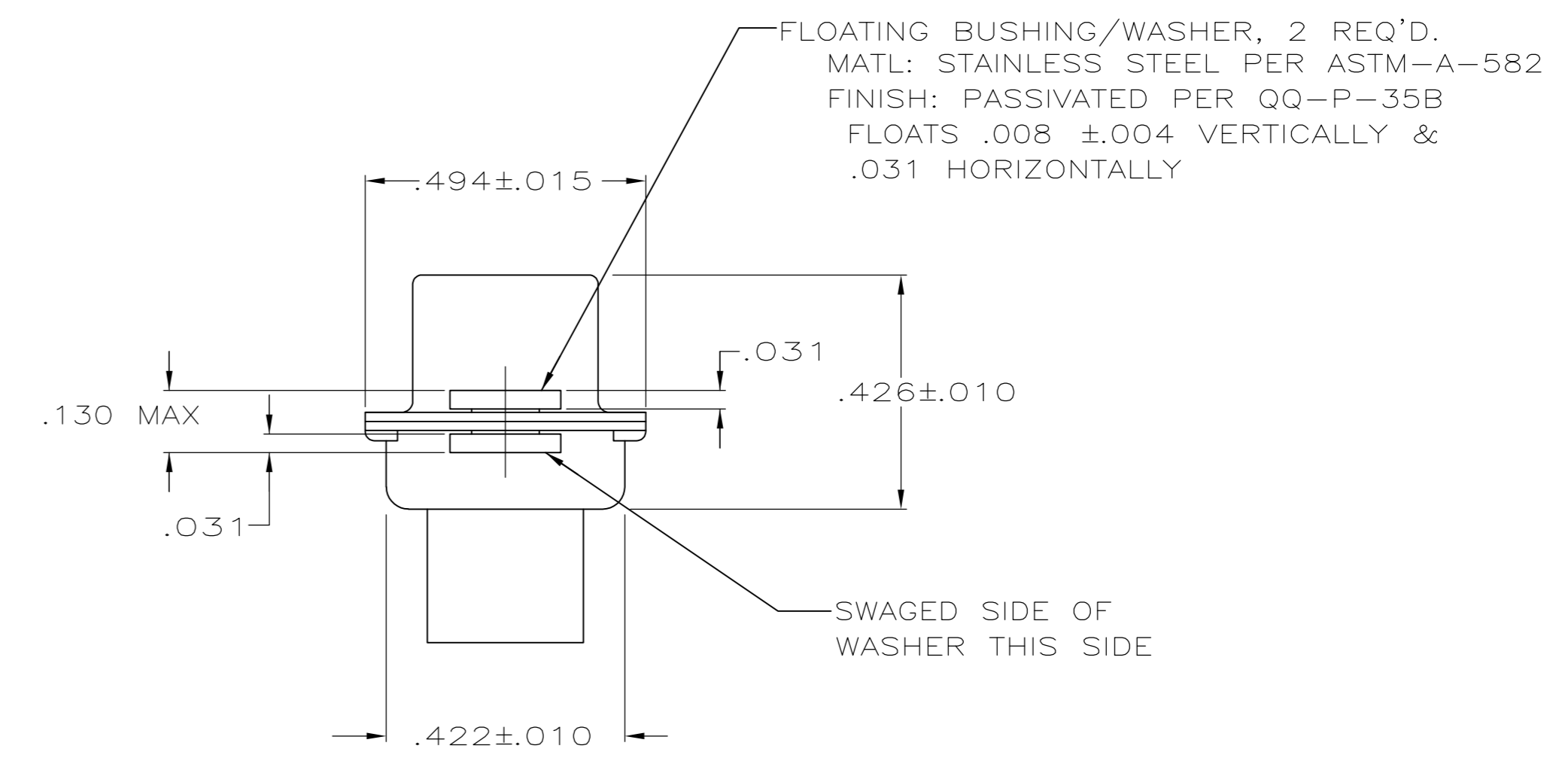
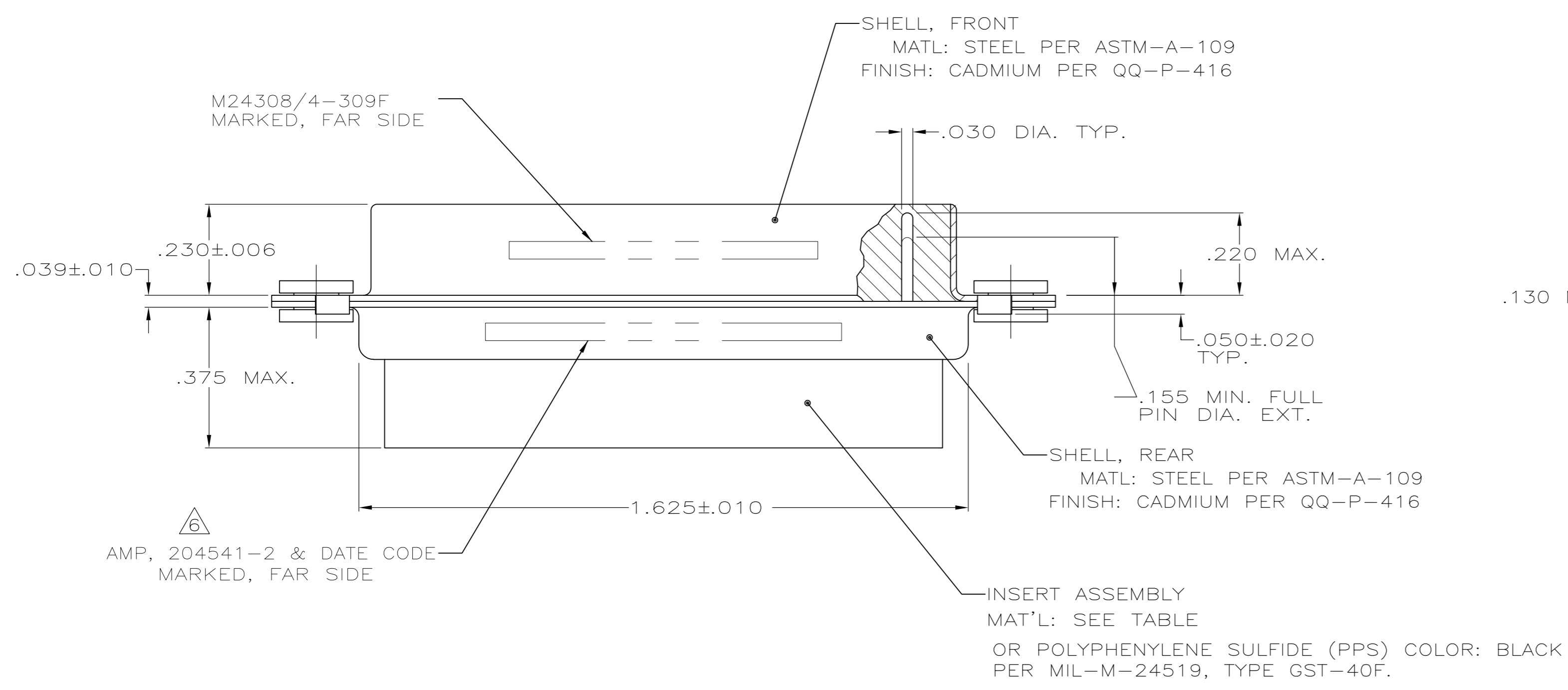
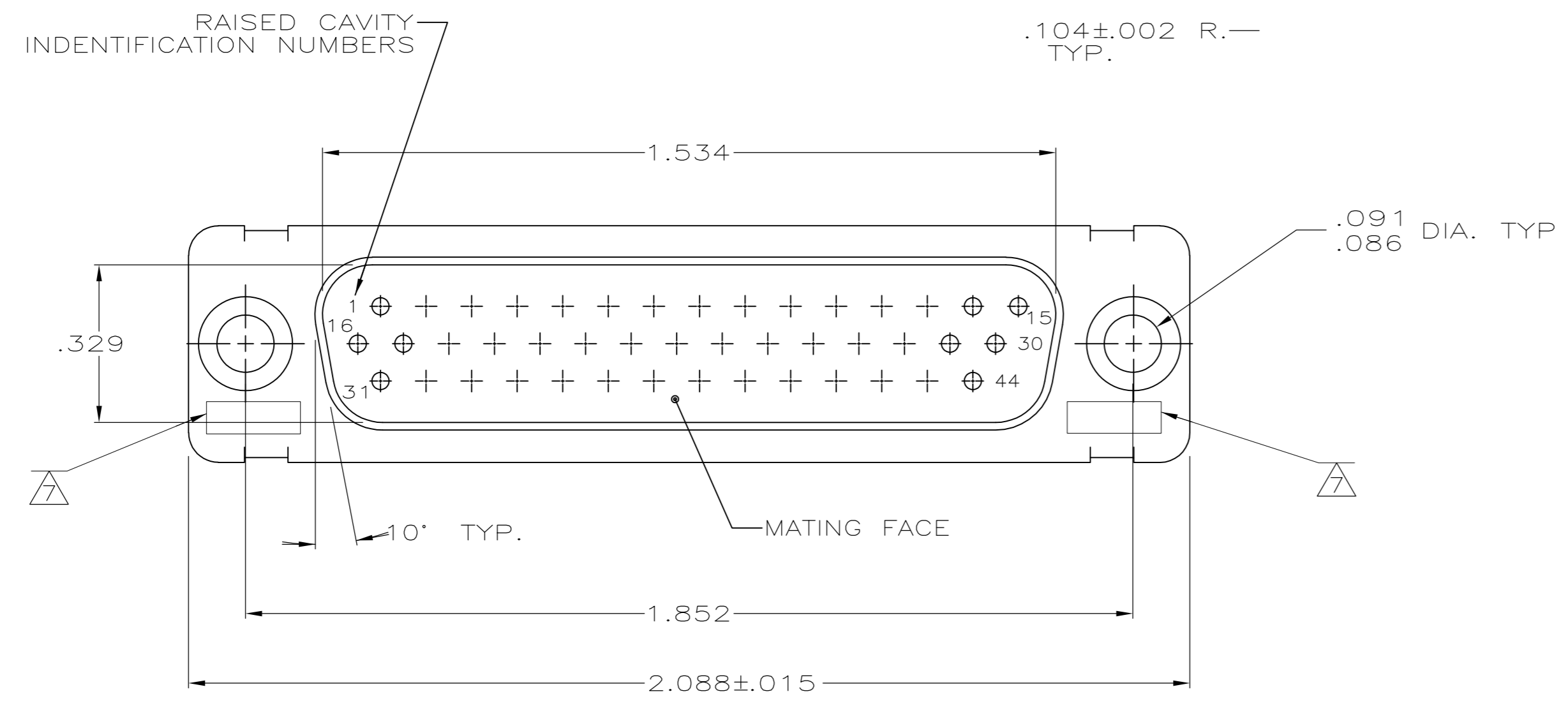


LOC		DIST		REVISIONS			
P	LTR	DESCRIPTION	DATE	DMN	APVD		
T		REV PER ECO-15-016062	10NOV15	KG	CD		



- THIS PLUG IS DESIGNED TO CONFORM TO THE LATEST ISSUE OF MIL-C-24308
  - MAX WIRE INSUL. TO BE USED WITH THIS PLUG IS .054 DIA.
  - METAL RETENTION CLIPS ARE INCLUDED IN INSERTS
  - PACKAGE MARKED M 24308/4-331F
  - THIS PLUG WILL ACCEPT SIZE 22 PIN CONTACT M 24308/13 OR AMP # 204370
- AMP PART NO. MARKED ON CONNECTOR REPRESENTS KIT NUMBER WITH CONTACTS  
 UL/CSA DESIGNATION MARKED IN THIS AREA.

OBSELETE	PHENOLIC, COLOR: BLACK	204529-2
	POLYPHENYLENE SULFIDE (PPS) GST-40F PER MIL-M-24519 OR GLASS FILLED POLYESTER TPES013G30 PER ASTM D5927 COLOR, BLACK	204529-1
	INSERT MATERIAL	PART NO.

THIS DRAWING IS A CONTROLLED DOCUMENT.

DIMENSIONS: INCHES	TOLERANCES UNLESS OTHERWISE SPECIFIED:	DWN: C.C.THOMAS 12-3-87	CHK: F.C. BALLEW 1-25-88	APVD: DJM 1-25-88	NAME: AMPLIMITE PLUG FOR PIN CONTACTS HI-DENSITY D CONN, SIZE 3, SERIES 90 WITH FLOAT BUSHINGS
0 PLC ± -	1 PLC ± -	2 PLC ± -	3 PLC ± .005	4 PLC ± -	SIZE: A1
MATERIAL: SEE CALLOUTS		WEIGHT: -		CAGE CODE: 00779	
FINISH: SEE CALLOUTS		CUSTOMER DRAWING		SCALE: 4:1 SHEET 1 OF 1 REV T	

TE Connectivity  
 DRAWING NO: 204529