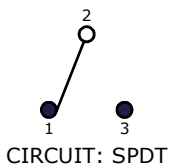


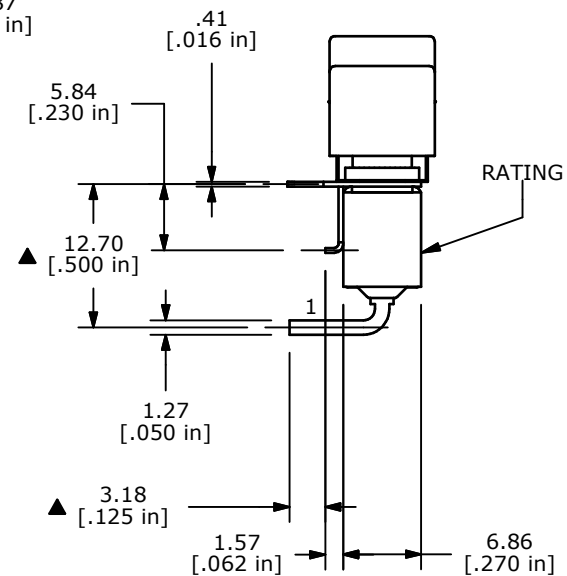
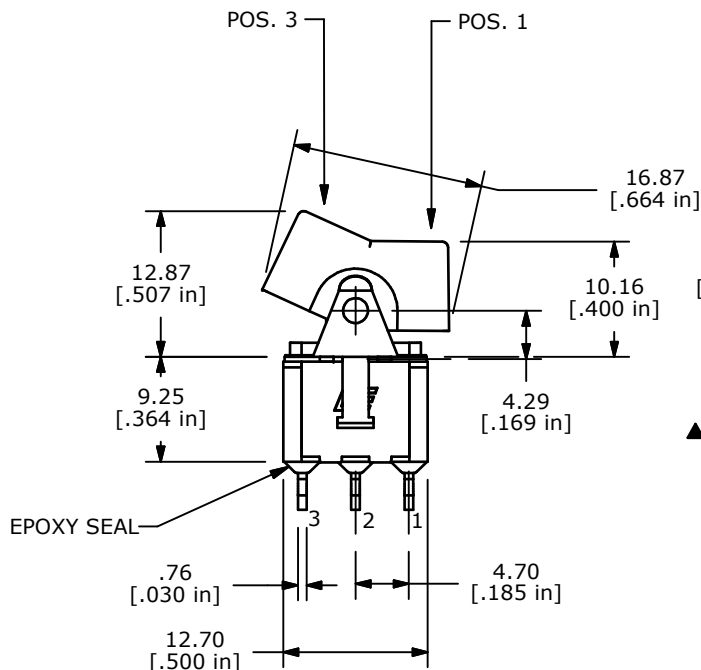
ISOMETRIC

SWITCH FUNCTION		
POS. 1	POS. 2	POS. 3
ON	OFF	ON
2-3	OPEN	2-1



NOTES:

1. ALL DIMENSIONS IN MM [INCH]
2. GENERAL TOLERANCE: X.X=±0.4
X.XX=±0.25
3. TERMINAL NUMBERS FOR REF ONLY
- ▲ 4. PLATING MATERIAL: GOLD
5. RATING: 0.4A @20V (AC or DC)
6. CONTACT RESISTANCE: 10 MILLI-OHMS max.
- 7 LIFE EXPECTANCY: 40,000 make-and-break cycles at full load.
- 8 INSULATION RESISTANCE: 1,000 MEGA OHMS min.
- 9 DIELECTRIC STRENGTH: 1,000 V RMS @sea level.
10. OPERATING TEMP.: -30°C to 85°C
11. ▲ DENOTES CRITICAL PARAMETER.



TITLE 300SP3J1BLKM6RE

A	18585	RELEASED FOR PRODUCTION	8/6/09	BLR
REV	PCR NO	DESCRIPTION	DATE	BY

THE INFORMATION CONTAINED IN THIS DOCUMENT IS PROPRIETARY TO E-SWITCH AND IS NOT TO BE COPIED OR TRANSFERRED

SCALE	DATE	DR	DWG	REV
1.5:1	8/6/2009	BLR	T313031	A