

MATERIAL AND FINISH:

Insulator: Polycarbonate,
UL-94V-0 rated
Contacts: Copper, Tin plated

ELECTRICAL SPECIFICATIONS:

Current rating: 10 A
Voltage rating: 250 VAC
Insulation resistance: 100 Mohm
min. at 500 VDC
Dielectric withstanding voltage: 2000
VAC for one minute

**RoHS
COMPLIANT**

ORDERING CODE:

42R39-3 2 - 3
 1 2 3

1) COLOR

1 = BLACK
2 = GRAY

**2) ELECTRICAL CIRCUIT
CONFIGURATION**

3 = 10A 250V 70°C

2+GROUND, 1 FUSE
2 POLE SWITCH

4 = 10A 250V 70°C

2+GROUND, 2 FUSE
2 POLE SWITCH

7 = 10A 250V 120°C

2+GROUND, 1 FUSE
2 POLE SWITCH

8 = 10A 250V 120°C

2+GROUND, 2 FUSE
2 POLE SWITCH

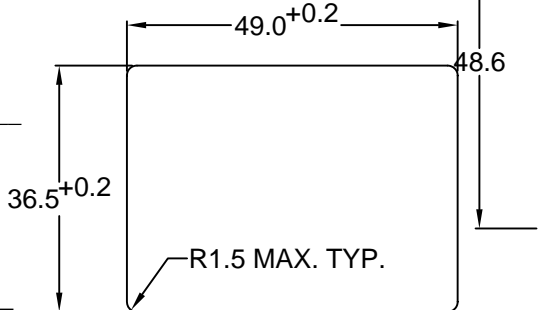
11 = 10A 250V 70°C

2 POLE, 1 FUSE
2 POLE SWITCH

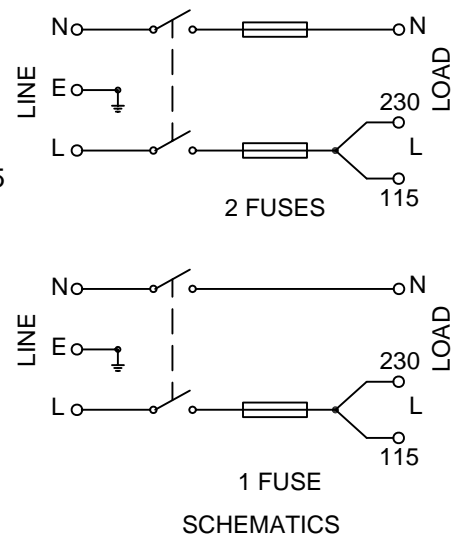
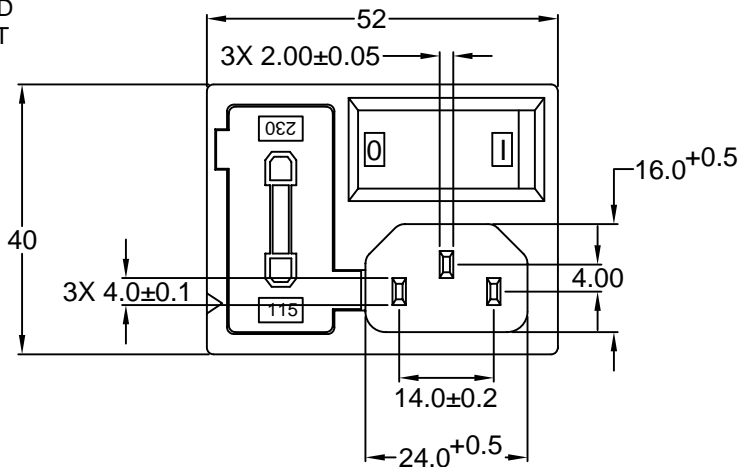
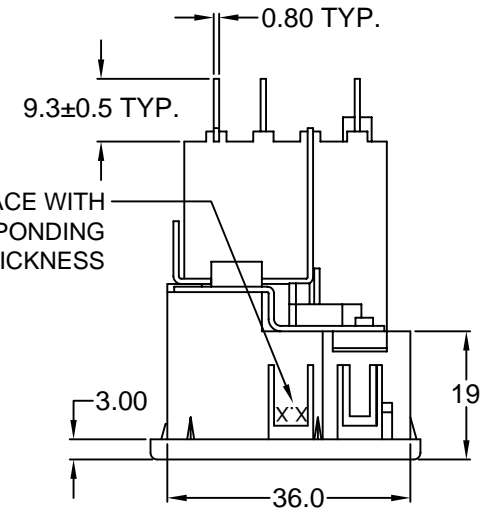
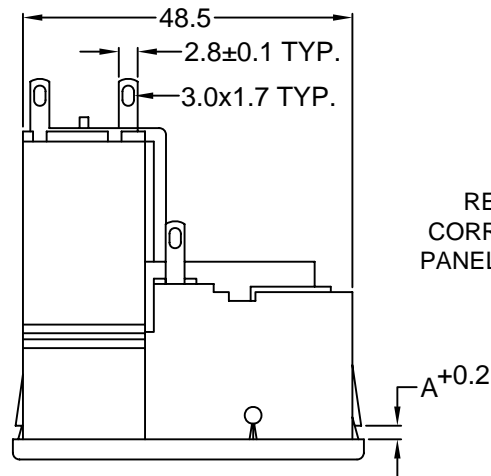
12 = 10A 250V 70°C

2 POLE, 2 FUSE
2 POLE SWITCH

3) PANEL THICKNESS



**RECOMMENDED
PANEL CUTOUT**



SCHEMATICS

REVISIONS	CHNG	CHK	APPR
	CHANGE		PB
	ADD	PANEL THICKNESSES	
	DATE	12/2/05	
REV	A		

P/N	A	MAX. PANEL THICKNESS
42R39-3X2X-150	1.5	1.5
42R39-3X2X-160	1.6	1.6
42R39-3X2X-200	2.0	2.0
42R39-3X2X-230	2.3	2.3
42R39-3X2X-250	2.5	2.5
42R39-3X2X-300	3.0	3.0

ADDITIONAL PANEL THICKNESS AND ONE
POLE SWITCH AVAILABLE ON REQUEST

TOLERANCE
UNLESS OTHERWISE SPECIFIED
X ± 1
X.X ± 0.4
X.XX ± 0.20

DRAWN BY	GQ	DATE:	09/24/01
CHECK BY	TD	DATE:	09/26/01
APPR BY	PB	DATE:	09/26/01

Power Dynamics, Inc.

Phone: 973 560-0019 Whippany, New Jersey Fax: 973 560-0076

PART: IEC 60320 APPL. INLET, VOLTAGE SELECTOR
FUSE HOLDER; SOLDER TERMINALS; SNAP-IN

PART #: 42R39-3X2X-XXX		SHEET 1 of 1
SIZE: A	ALL DIMENSIONS FOR REFERENCE ONLY DIMENSIONS ARE IN MILLIMETERS	REV: A
SCALE: NTS		