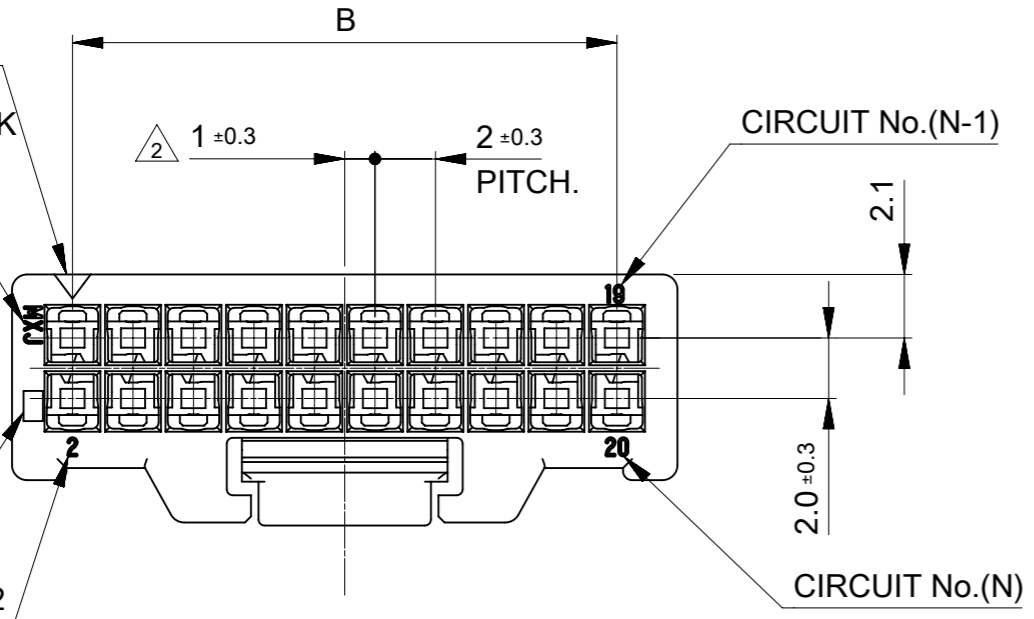


回路番号1  
CIRCUIT No.1  
INDICATOR MARK

トレードマーク  
TRADE MARK

キャビティ番号  
CAVITY No.

CIRCUIT.No.2



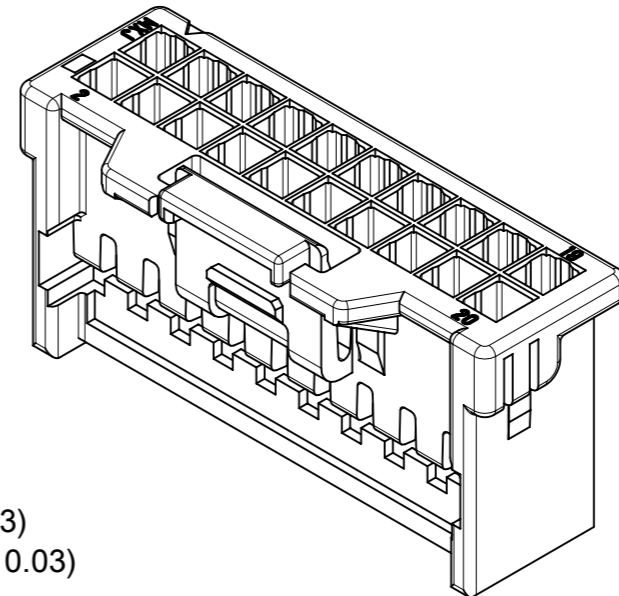
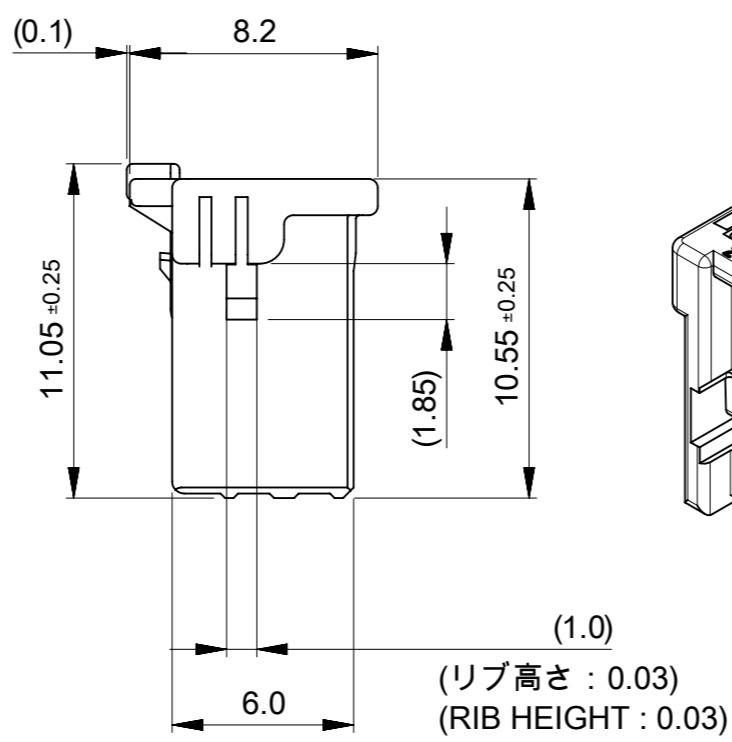
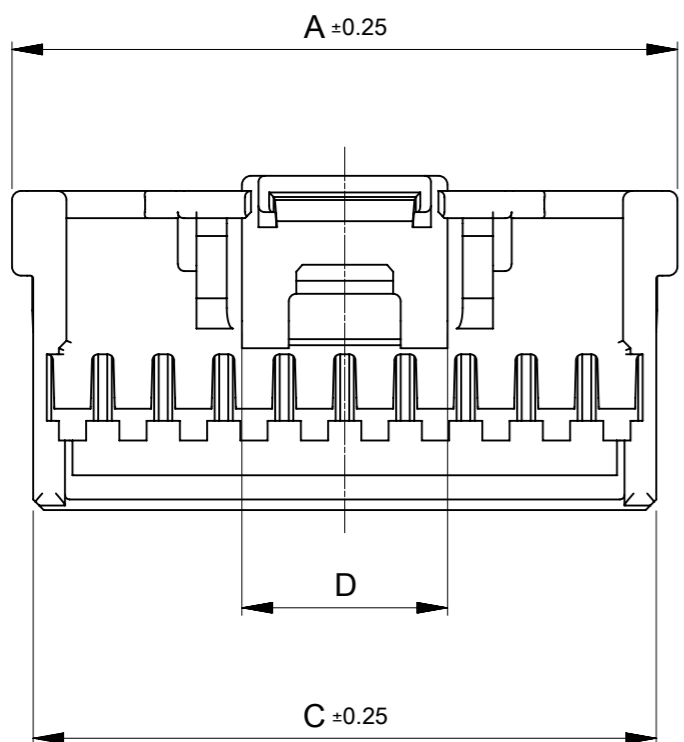
注記  
NOTES

- ① 材料: TABLE 1 参照  
MATERIAL : SEE TABLE 1
- ② 極数/2=偶数 となる極数に適用  
APPLY FOR CIRCUIT SIZE/2 = EVEN
- 3. 関連製品・書類はSHEET 2を参照ください  
REFER TO SHEET 2 ABOUT RELATED PRODUCTS AND DOCUMENTS.
- 4. オーダー番号(製品番号): SHEET 2の製品一覧を参照ください  
ORDER No. (PRODUCT No.) : REFER TO SHEET 2 FOR PRODUCT LIST.

**501646-\*\*0\***

極数  
CIRCUIT SIZE

ハウジングカラー HOUSING COLOR
0: ナチュラル NATURAL
1: 黒 BLACK
2: 赤 RED
4: 青 BLUE
6: 緑 GREEN



6.8	40.6	38	42	40
6.8	38.6	36	40	38
6.8	36.6	34	38	36
6.8	34.6	32	36	34
6.8	32.6	30	34	32
6.8	30.6	28	32	30
6.8	28.6	26	30	28
6.8	26.6	24	28	26
6.8	24.6	22	26	24
6.8	22.6	20	24	22
6.8	20.6	18	22	20
6.8	18.6	16	20	18
6.8	16.6	14	18	16
6.8	14.6	12	16	14
6.8	12.6	10	14	12
5.1	10.6	8	12	10
D	C	B	A	極数 CIRCUIT SIZE

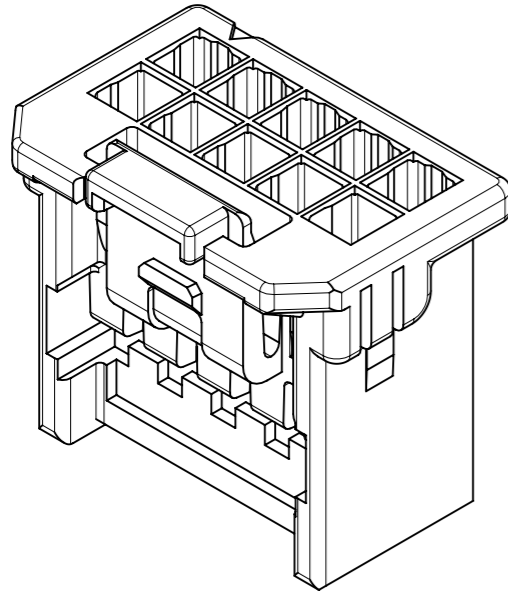
① TABLE 1

部品 PART	材質 MATERIAL
ハウジング HOUSING	ポリアミド(PA)ガラス無し、UL94V-0、色: SEE CHART POLYAMIDE(PA) UNFILLED, UL94V-0,COLOR: SEE CHART

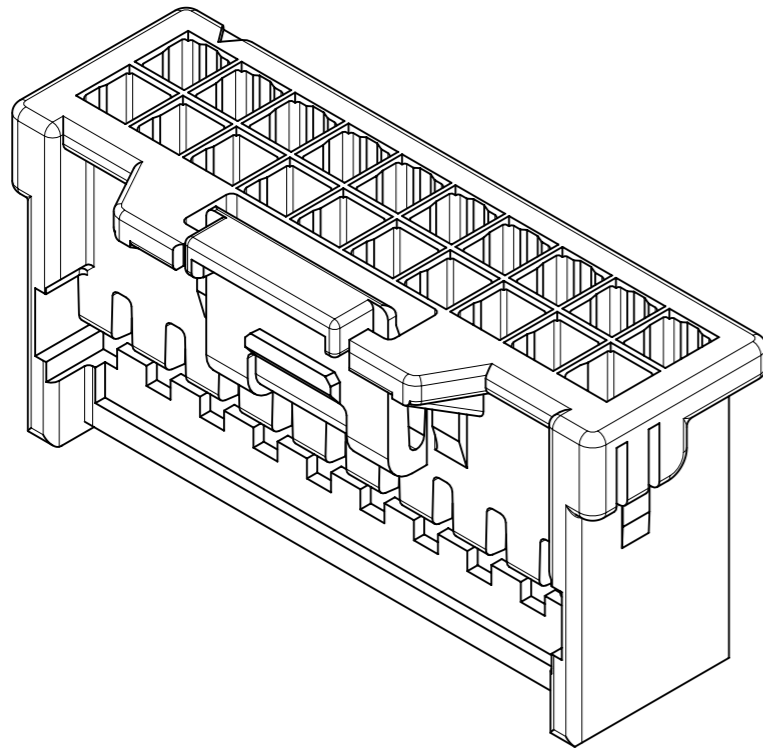
THIS DRAWING CONTAINS INFORMATION THAT IS PROPRIETARY TO MOLEX ELECTRONIC TECHNOLOGIES, LLC AND SHOULD NOT BE USED WITHOUT WRITTEN PERMISSION

DIMENSION UNITS mm	SCALE NTS	CURRENT REV DESC: REDRAWN		<b>molex</b>		
GENERAL TOLERANCES (UNLESS SPECIFIED)		EC NO: 711900				
ANGULAR TOL	± 3.0 °	DRWN: SNAKAMURA08 2017/09/25		PRODUCT CUSTOMER DRAWING		
4 PLACES	± 0.2	CHK'D: KOMURAKAMI 2022/07/20		DOCUMENT NUMBER		
3 PLACES	± 0.2	APPR: SAKIYAMA 2022/07/20		5016460000-SD		
2 PLACES	± 0.2	INITIAL REVISION:		DOC TYPE	DOC PART	REVISION
1 PLACE	± 0.2	DRWN: SNAKAMURA08 2017/09/25		PSD	000	A
0 PLACES	± 0.2	APPR: SAKIYAMA 2022/07/20		SHEET NUMBER		
DRAFT WHERE APPLICABLE MUST REMAIN WITHIN DIMENSIONS		THIRD ANGLE PROJECTION	DRAWING	SERIES	MATERIAL NUMBER	CUSTOMER
			A3-SIZE	501646	SEE SHEET 2	GENERAL

各極数毎の製品形状  
PRODUCT SHAPE AT EACH CIRCUIT



10, 12極形状  
VIEW OF 10, 12 CIRCUIT



14 ~ 40極形状  
VIEW OF 14 ~ 40 CIRCUIT

製品一覧  
PRODUCT LIST

緑: GREEN	青: BLUE	赤: RED	黒: BLACK	ナチュラル NATURAL	HOUSING COLOR
501646 4006	501646 4004	501646 4002	501646 4001	501646 4000	40
↑ 3806	↑ 3804	↑ 3802	↑ 3801	↑ 3800	38
3606	3604	3602	3601	3600	36
3406	3404	3402	3401	3400	34
3206	3204	3202	3201	3200	32
3006	3004	3002	3001	3000	30
2806	2804	2802	2801	2800	28
2606	2604	2602	2601	2600	26
2406	2404	2402	2401	2400	24
2206	2204	2202	2201	2200	22
2006	2004	2002	2001	2000	20
1806	1804	1802	1801	1800	18
1606	1604	1602	1601	1600	16
1406	1404	1402	1401	1400	14
↓ 1206	↓ 1204	↓ 1202	↓ 1201	↓ 1200	12
501646 1006	501646 1004	501646 1002	501646 1001	501645 1000	10
発注番号 ORDER No. PACKAGING STYLE : POLYBAG					極数 CIRCUIT SIZE

適合製品及び各種仕様書  
APPLICABLE PRODUCTS AND VARIOUS SPECIFICATIONS

梱包仕様書 PACKING SPECIFICATION	PART NUMBER	SPECIFICATION NUMBER		
	501646 **0*	5016469200 PS 200		
適合圧着端子 APPLICABLE CRIMP TERMINAL	PLATING TYPE	PART NUMBER	WIRE SIZE(AWG)	
	TIN	5016471000	#22 - #26	
		5016481000	#26 - #28	
	GOLD	5030952201	#22 - #24	
5030952200		#26 - #28		
適合嵌合相手 MATE WITH	TIN PLATING		GOLD PLATING	
	VERTICAL	RIGHT ANGLE	VERTICAL	RIGHT ANGLE
シリーズ番号 SERIES No.	501645	501876	503091	208659
製品仕様書 PRODUCT SPECIFICATION	PS-501646-001		5016460000-PS 000	
アプリケーション仕様書 APPLICATION SPECIFICATION	5016460000 PS A01			

THIS DRAWING CONTAINS INFORMATION THAT IS PROPRIETARY TO MOLEX ELECTRONIC TECHNOLOGIES, LLC AND SHOULD NOT BE USED WITHOUT WRITTEN PERMISSION

DIMENSION UNITS	SCALE	CURRENT REV DESC: REDRAWN		<b>molex</b>		
mm	NTS					
GENERAL TOLERANCES (UNLESS SPECIFIED)				IGRID 2.0 WIRE TO BOARD RECEPTACLE HOUSING		
ANGULAR TOL ± 3.0°				PRODUCT CUSTOMER DRAWING		
4 PLACES	± 0.2	EC NO: 711900		DOCUMENT NUMBER		
3 PLACES	± 0.2	DRWN: SNAKAMURA08	2017/09/25	5016460000-SD		
2 PLACES	± 0.2	CHK'D: KOMURAKAMI	2022/07/20	DOC TYPE	DOC PART	REVISION
1 PLACE	± 0.2	APPR: SAKIYAMA	2022/07/20	PSD	000	A
0 PLACES	± 0.2	INITIAL REVISION:		SHEET NUMBER		
DRAFT WHERE APPLICABLE MUST REMAIN WITHIN DIMENSIONS		THIRD ANGLE PROJECTION	DRAWING	SERIES	MATERIAL NUMBER	CUSTOMER
			A3-SIZE	501646	SEE TABLE	GENERAL