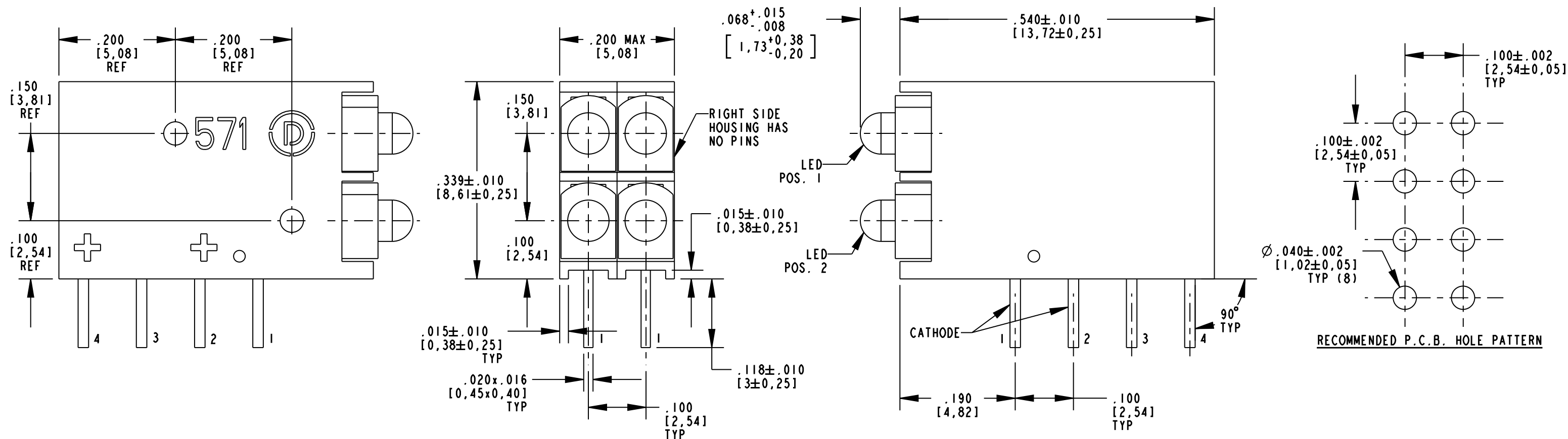


DIALIGHT PART NUMBER	LED COLOR	
	POS. 1	POS. 2
571-0133-810F	YELLOW	YELLOW

REV	ECN NO	REVISIONS	DRN	CKD	APP	DATE
A		NEW RELEASE	AJF	KLJ	NO	10-27-09

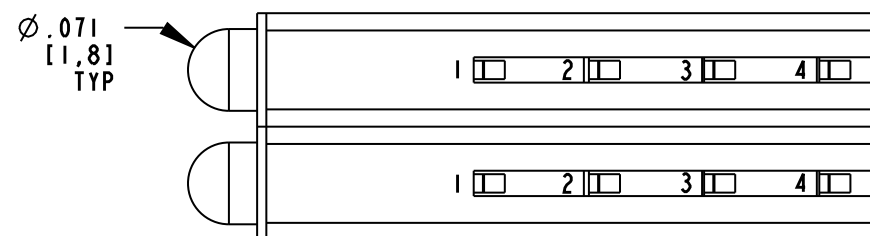


NOTES:

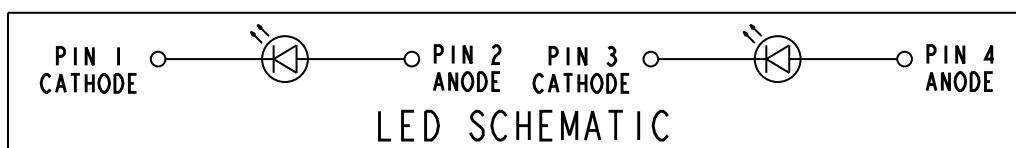
- LEADS TO FIT INTO HOLES SPACED AS PER PATTERN.
- LED LEAD DIMENSIONS SHOWN ARE MEASURED AT HOUSING EXIT.
- PIN NUMBERS FOR REFERENCE ONLY, DESIGNATION NON-EXISTENT ON PART.
- DIALIGHT PART NUMBER 571-0133-810F.
- THIS ASSEMBLY CONTAINS ELECTROSTATIC DISCHARGE SENSITIVE DEVICES (ESDS). MAINTAIN ALL PRECAUTIONARY MEASURES DURING ASSEMBLY, HANDLING AND STORAGE IN ACCORDANCE WITH IPC-A-610.

ABSOLUTE MAXIMUM RATINGS AT 25°C AMBIENT	YELLOW	UNITS
POWER DISSIPATION	105	mW
CONTINUOUS FORWARD CURRENT	30	mA
PEAK FORWARD CURRENT (1/10 DUTY CYCLE, 0.1 ms PULSE WIDTH)	140	mA
DERATING LINEAR FROM 25°C	0.4	mA/°C
REVERSE VOLTAGE	5	V
SOLDERING TEMPERATURE (.157" FROM BODY FOR 5 SEC.)	260	°C
OPERATING TEMPERATURE	-40 TO +85	°C
STORAGE TEMPERATURE	-40 TO +85	°C

OPERATING CHARACTERISTICS AT 25°C AMBIENT										
LED COLOR	PEAK WAVELENGTH (nm) TYP	DOMINANT WAVELENGTH (nm)			VIEWING ANGLE (°) 2 θ 1/2	LUMINOUS INTENSITY (mcd) @ IF=10mA		FORWARD VOLTAGE (V) @ IF=20mA		REVERSE CURRENT (µA) MAX
		MIN	TYP	MAX		MIN	TYP	TYP	MAX	
YELLOW	590	—	588	—	70	5	8	2.1	2.5	10 @ Vr=5V

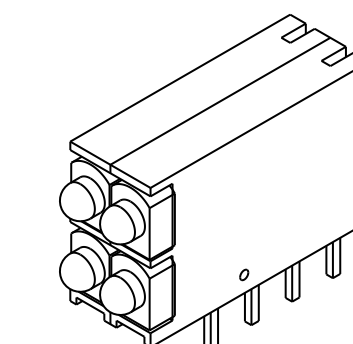


RoHS COMPLIANT 571-0133-810F
 Part Numbers with the "F" suffix ending are RoHS Compliant. Packaging is marked with "RoHS Compliant" label or equivalent markings. Parts can be wave soldered, dip soldered or hand soldered using typical lead-free soldering process with max 260°C temp. for 5 sec.



ATTENTION:
 OBSERVE PRECAUTIONS FOR HANDLING ELECTROSTATIC SENSITIVE DEVICES

RECOMMENDED P.C.B. HOLE PATTERN



SCALE 3.000

THIS DRAWING AND THE CONTENTS HEREIN ARE CONFIDENTIAL AND THE SOLE PROPERTY OF DIALIGHT. REPRODUCTION OF THIS DRAWING OR CONSTRUCTION OF ANY PARTS WITHIN THIS DRAWING ARE FORBIDDEN WITHOUT THE WRITTEN CONSENT OF DIALIGHT.		
SCALE: 6.000 ALL DIM'S IN: INCHES (MM)	DRAWING NUMBER C-17783	REV A
TOLERANCES: UNLESS OTHERWISE SPECIFIED FRACTIONS: ±1/64 DECIMALS (.XX): ±.02 DECIMALS (.XXX): ±.015 ANGLES: ±3°	TITLE 2mm CBI 2 x 2 ARRAY W/ WHITE HOUSING	
FINISH:	MATERIAL	
FSCM 83330	Dialight 1501 ROUTE 34 SOUTH FARMINGDALE, NJ 07727	
SHEET 1 OF 1 FAMILY TABLE:		