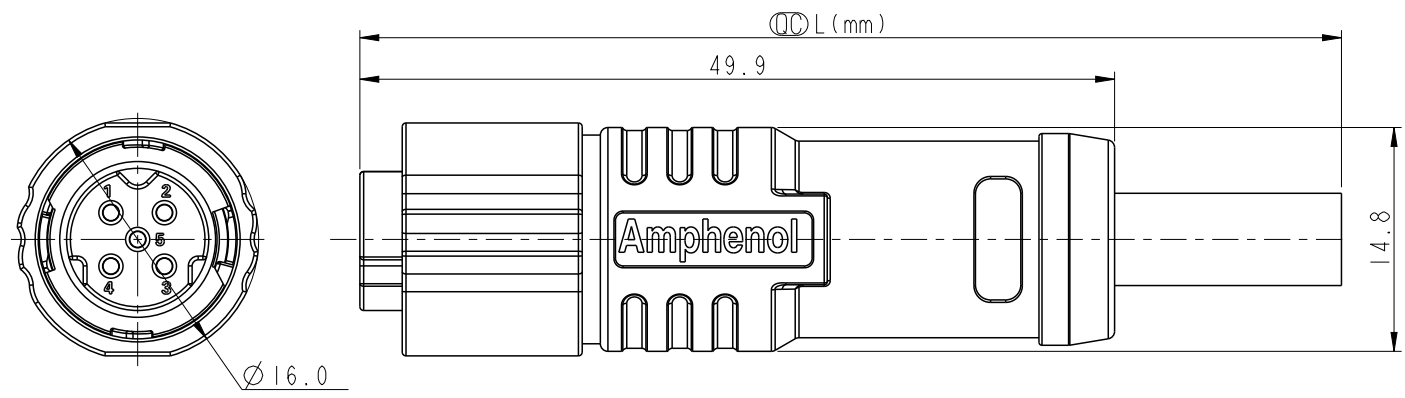


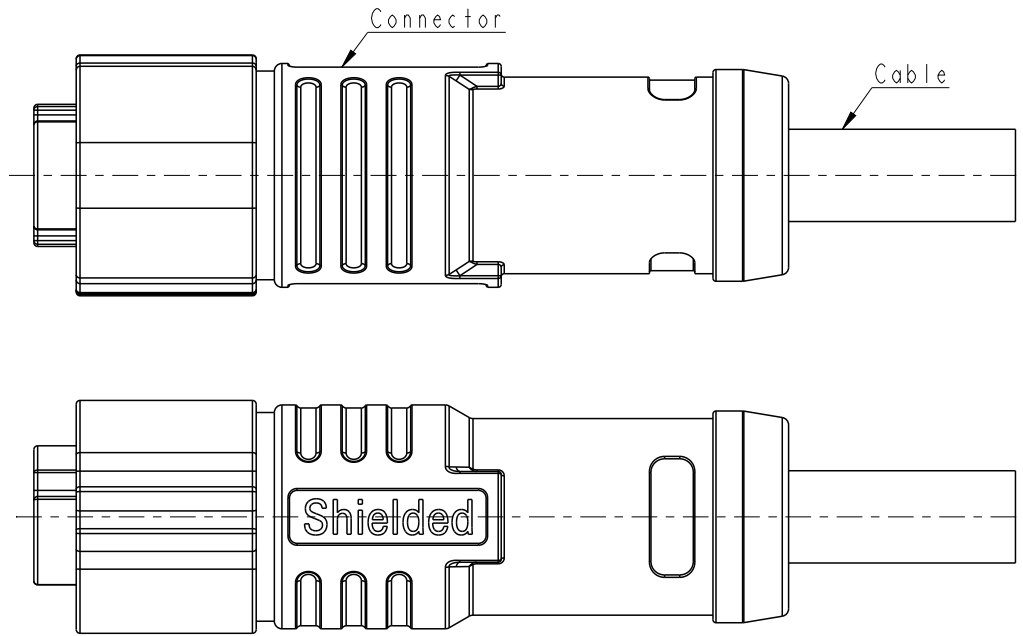
THIS DOCUMENT IS SUBJECT TO CHANGE WITHOUT NOTICE. IT IS CONFIDENTIAL AND A PROPERTY OF Amphenol LTW. DISCLOSURE TO THIRD PARTY HAS TO BE AUTHORIZED BY Amphenol LTW.

5P	PU	6.1	20	ASD-05BFFM-QL8BXX
Contacts	Cable Jacket	Cable OD	AWG	Item No.

REV.	ECN NO.	DATE	SIGN	DESCRIPTION
A		2022-01-03	Sam Ho	Rev.01 to A, Initial Released



ASD-XXBFFM-QL8BXX
 XX: L=0~99Meters
 01: L=1Meters
 02: L=2Meters
 :
 99: L=99Meters
 XX: No. Of Pin



Shield Braid	編織
5 Yellow	黃
4 Orange	橘
3 Red	紅
2 Brown	棕
1 Black	黑
Pin #	Wire
5P	
Pin Assignments Front View	

Note:
 * RoHS Compliant
 * \varnothing Important dimension
 * Waterproof rate: IPX8, mated 1m/24h
 * Connector
 Housing: Thermoplastic, Black
 Pin: Copper alloy, Gold plated
 Shield: Metal
 Nut: Metal
 Outer mold: Thermoplastic, Black
 * Cable: UL20549, PU Jacket, Black
 * Cable length tolerance:
 1M: +50/-0 mm
 1M < L ≤ 3M: +100/-0 mm
 3M < L ≤ 5M: +150/-0 mm
 5M < L ≤ 10M: ±100 mm
 10M < L ≤ 20M: ±200 mm
 20M < L ≤ 30M: ±300 mm
 30M < L ≤ 99M: ±500 mm

UNIT:mm	
TOLERANCE	±0.50mm

TITLE XLOK, A SHLD-5A, 05P, CABLE W/O SR			
SCALE 2:1	SIZE A4	SHEET 1 OF 1	
REV. A	WC-REV.	\varnothing : Inspection item	

Amphenol LTW
 安費諾亮泰企業股份有限公司

ITEM NO.	DRAWN BY Sam Ho	DATE 2021-11-12
DWG NO. ASD-XXBFFM-QL8BXX	CHECKED BY Fred Lee	DATE 2021-11-12
CUSTOMER ALTW	APPROVED BY Fred Lee	DATE 2021-11-12