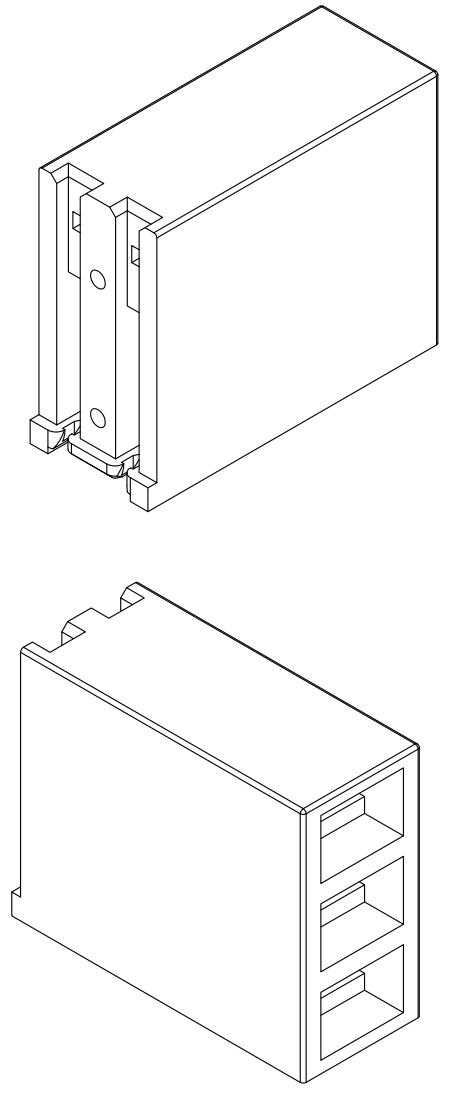
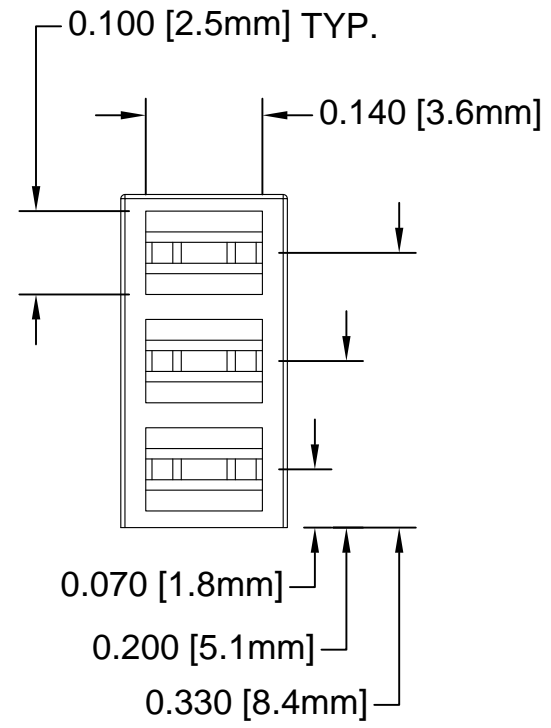
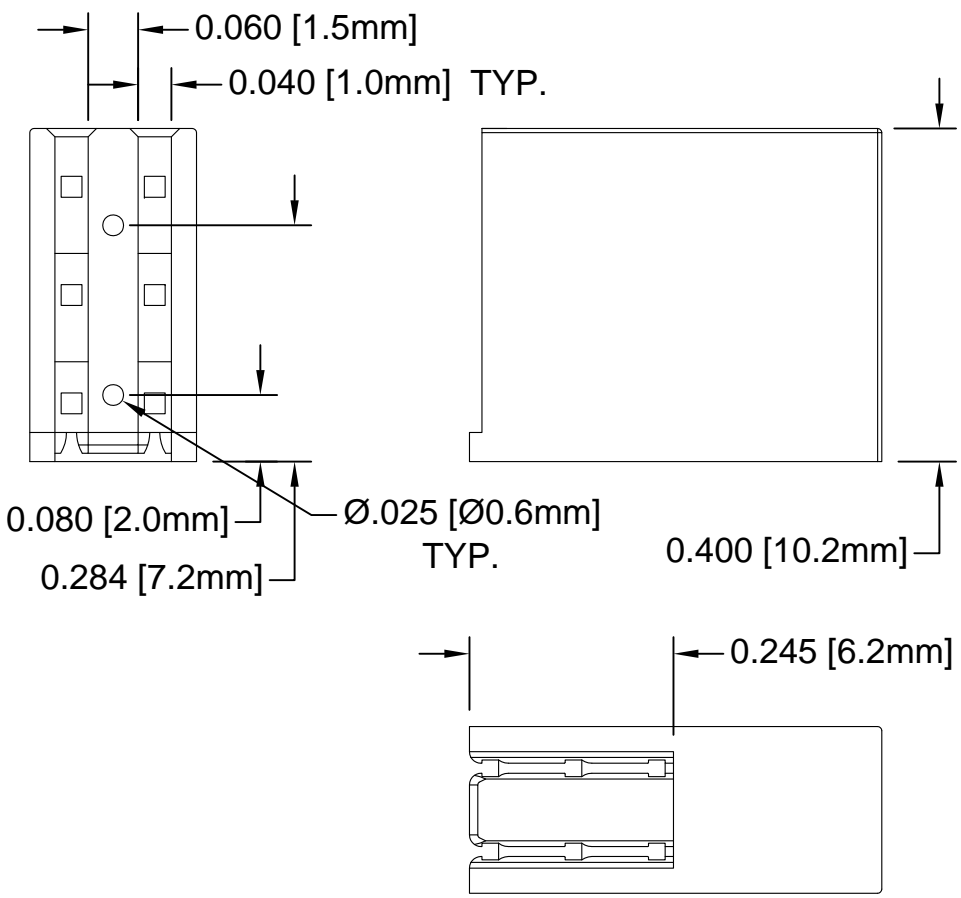
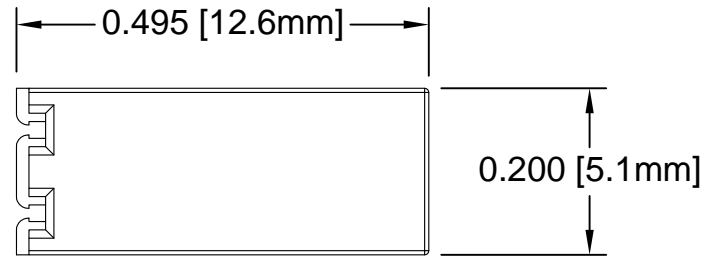

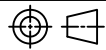


REV.	DESCRIPTION	DATE	APPROVED
A	Engineering Update w/o Changes	05/16/07	M. C.
B	Rear Plate Update	10/15/07	M. C.
C	Updated Title Block	02/07/08	M. C.
D	Removed Material Code	05/28/16	J. C.



- 2. MATERIAL: NYLON 6/6, 94V-0, BLACK.
- 1. GENERAL SPECIFICATIONS: BIVAR MOLDED COMPONENT SPECIFICATION BV00-E101.

STANDARD TOLERANCE (UNLESS OTHERWISE SPECIFIED)		 BIVAR [®] 4 THOMAS, IRVINE, CA. 92618 TEL: (949) 951-8808 FAX: (949) 951-3974			
DECIMALS	ANGULAR				
.X ± .1	X° ± 1°	 TITLE: 3-HIGH HOLDER FOR 1.8mm LEDs			
.XX ± .01					
.XXX ± .005		DESIGNED:	DATE:	PART NO: H-381C	REVISION:
		T. Yin	10/15/07		D
CHECKED:		DATE:	CAGE CODE : 32559		SHEET # 1 OF 1
M. Chen		10/15/07	CAD GENERATED DOCUMENT. DO NOT MEASURE DRAWING.		