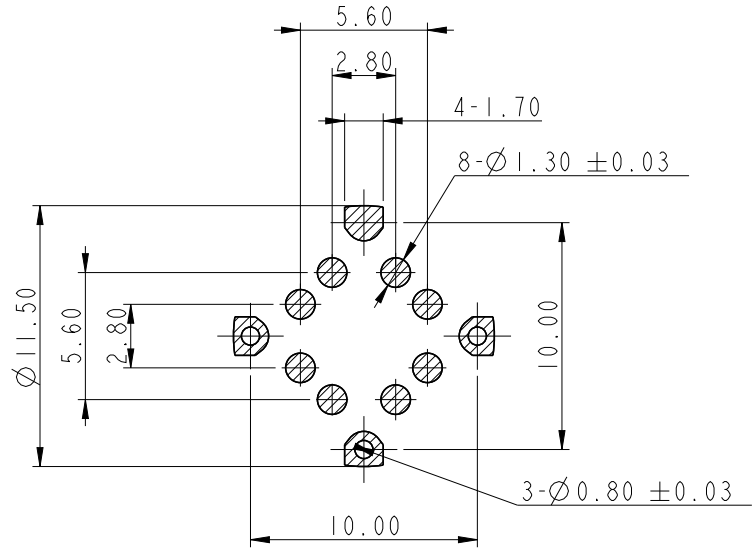
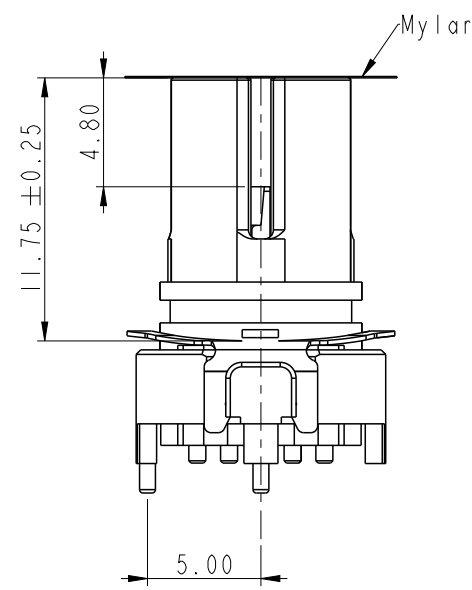
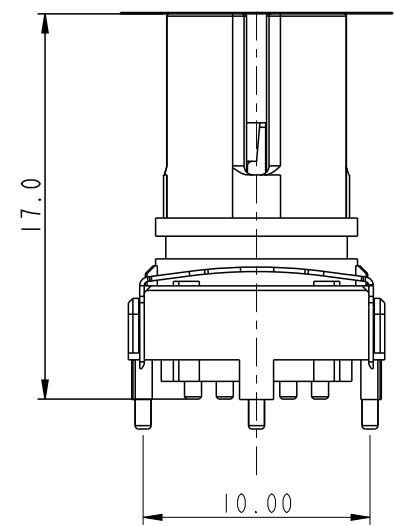
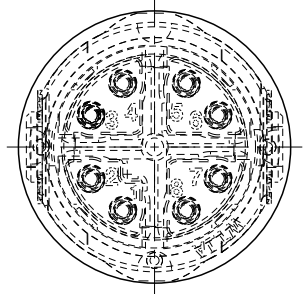
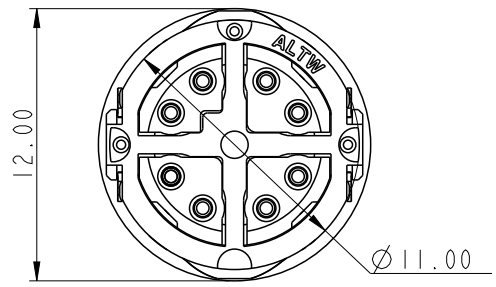


REV.	DESCRIPTION
B	Update Description



Recommended PCB Layout
General tolerance: ±0.05mm



- Note:
- * Waterproof Rate: IP67 (Mated Condition)
 - * Connector: Thermoplastic, Black
 - * Female Pin: Copper Alloy, Gold Plated
 - * Shield & Spring: Metal
 - * Withstand voltage test 2.2KVdc between shield and pin, 500Vac between adjacent pin
 - * Coplanarity of all contacts: 0.10mm maximum.

UNIT: mm		
TOLERANCE		
.X	±0.25	
.XX	±0.1	
.XXX	±0.05	
ANGLES	±1°	

TITLE MI2 X-Code, Panel Ended SMT Type			
SCALE 3:1	SIZE A4	SHEET 1	OF 3
REV. B	WC-REV. A.16	QC: Inspection item	

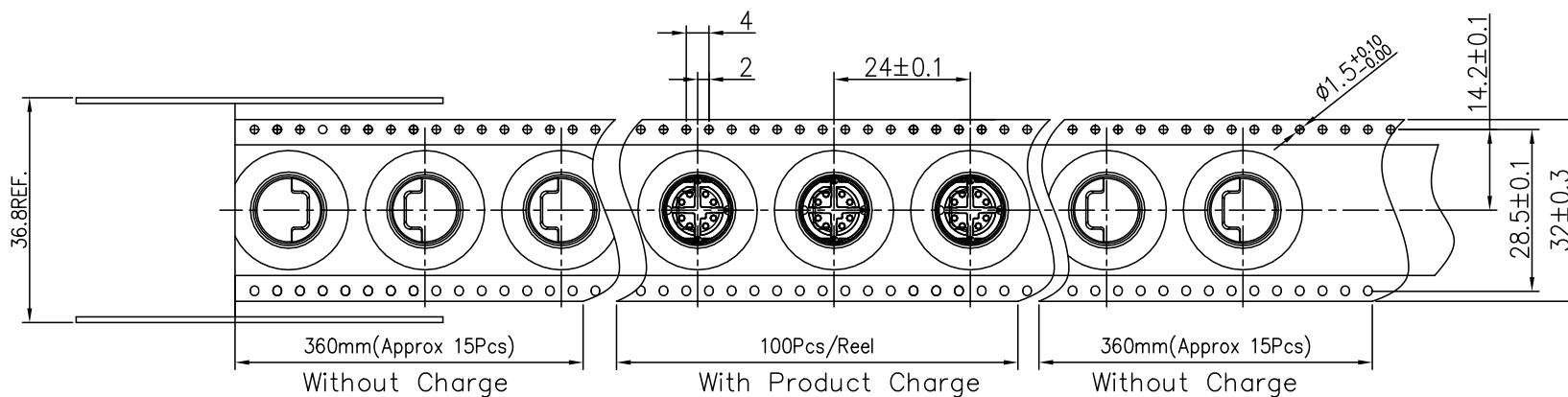
Amphenol LTW
安費諾亮泰企業股份有限公司

ITEM NO MSXS-08PFFT-EE0001	DRAWN BY Sam Ho	DATE 2018-12-19
DWG NO MSXS-08PFFT-EE0001	CHECKED BY Fred Lee	DATE 2018-12-19
CUSTOMER ALTW	APPROVED BY Fred Lee	DATE 2018-12-19

THIS DOCUMENT IS SUBJECT TO CHANGE WITHOUT NOTICE. IT IS CONFIDENTIAL AND A PROPERTY OF AMPHENOL LTW. DISCLOSURE TO THIRD PARTY HAS TO BE AUTHORIZED BY AMPHENOL LTW.

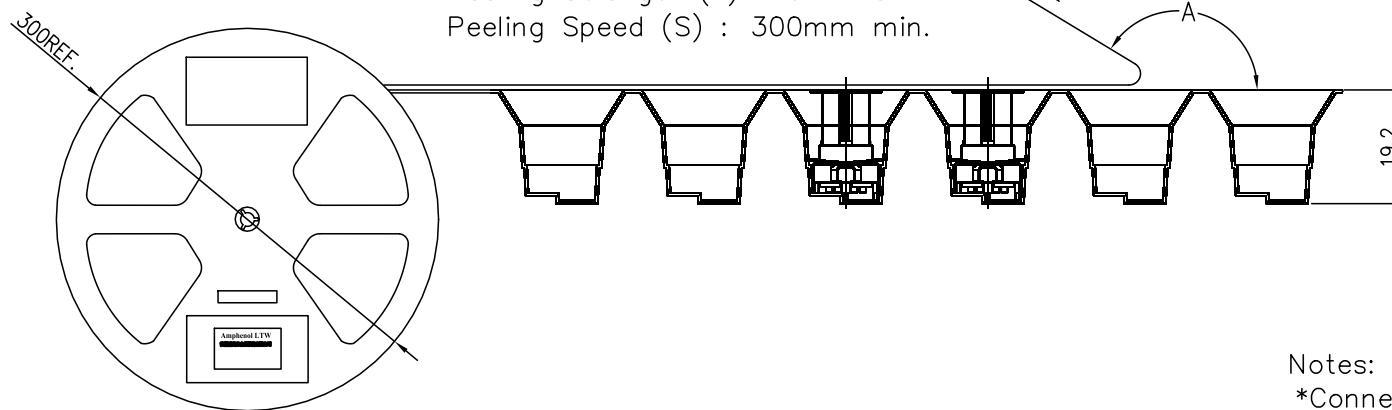
REV.	DESCRIPTION
B	Update Description

THIS DOCUMENT IS SUBJECT TO CHANGE WITHOUT NOTICE. IT IS CONFIDENTIAL AND A PROPERTY OF Amphenol LTW. DISCLOSURE TO THIRD PARTY HAS TO BE AUTHORIZED BY Amphenol LTW.



Top of Reel →

Peeling Angle (A) : 165°~180°
 Peeling Strength (F) : 0.1~1.3N
 Peeling Speed (S) : 300mm min.

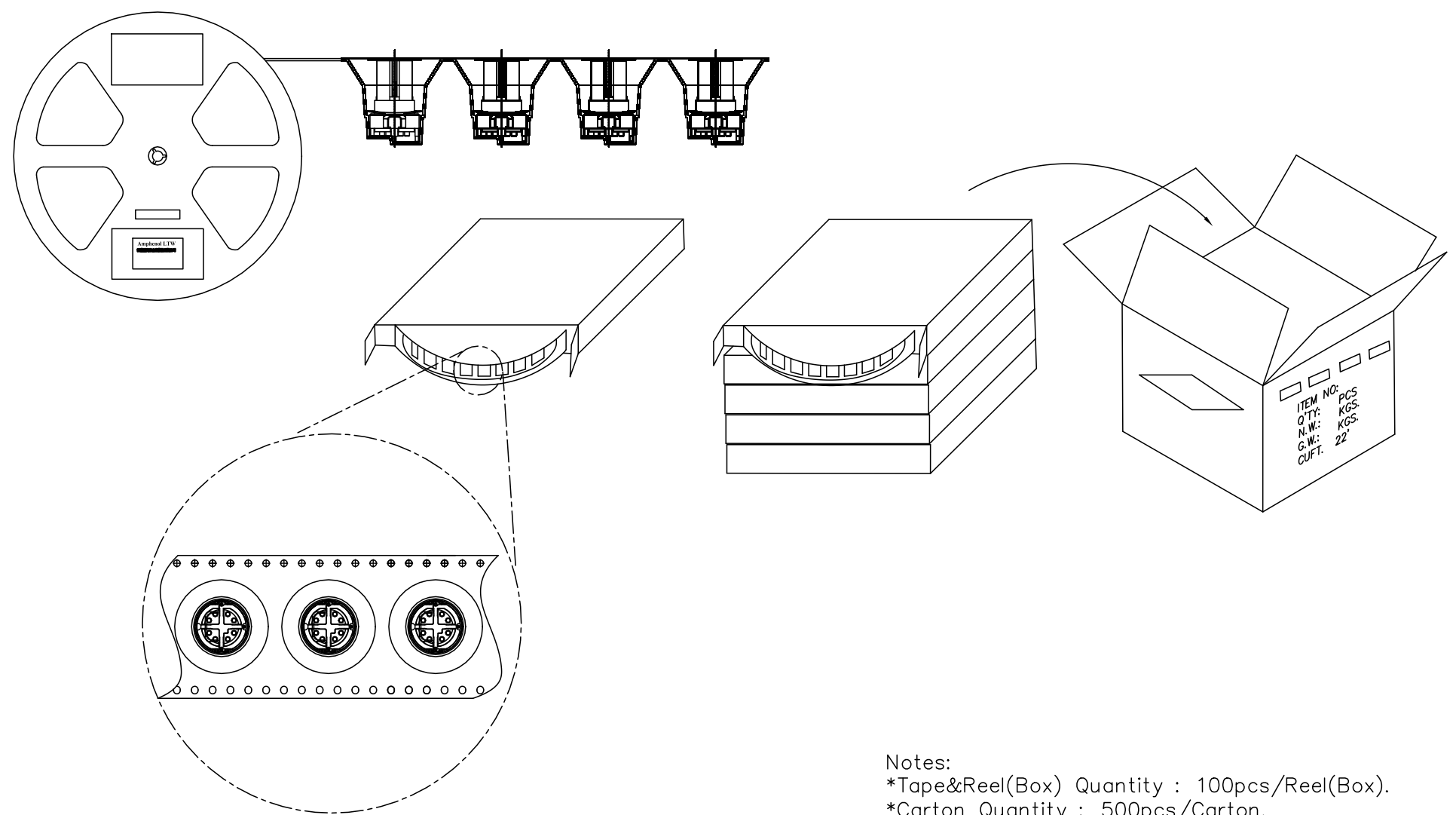


Notes:
 *Connector Orientation Follow Drawing

UNIT: mm		TITLE M12 X-Code Panel Package	Amphenol LTW	ITEM NO MSXS-08PFFT-EE0001	DRAWN BY Sam Ho	DATE 2018-12-19
TOLERANCE ±0.5mm	SCALE Free	SHEET 2 OF 3	安費諾亮泰企業股份有限公司	DWG NO MSXS-08PFFT-EE0001	CHECKED BY Fred Lee	DATE 2018-12-19
	REV. B	SIZE A4	◎: Inspection Item	CUSTOMER ALTW	APPROVED BY Fred Lee	DATE 2018-12-19
1	2	3	4	5	6	7

REV.	DESCRIPTION
B	Update Description

THIS DOCUMENT IS SUBJECT TO CHANGE WITHOUT NOTICE. IT IS CONFIDENTIAL AND A PROPERTY OF Amphenol LTW. DISCLOSURE TO THIRD PARTY HAS TO BE AUTHORIZED BY Amphenol LTW.



Notes:
 *Tape&Reel(Box) Quantity : 100pcs/Reel(Box).
 *Carton Quantity : 500pcs/Carton.

A	UNIT: mm		TITLE		Amphenol LTW 安費諾亮泰企業股份有限公司	ITEM NO	DRAWN BY	DATE
	TOLERANCE		±0.5mm	M12 X-Code Panel Package		MSXS-08PFFT-EE0001	Sam Ho	2018-12-19
			SCALE	SHEET		DWG NO	CHECKED BY	DATE
			Free	3 OF 3		MSXS-08PFFT-EE0001	Fred Lee	2018-12-19
			REV. B	SIZE A4	QC: Inspection Item	CUSTOMER	APPROVED BY	DATE
						ALTW	Fred Lee	2018-12-19