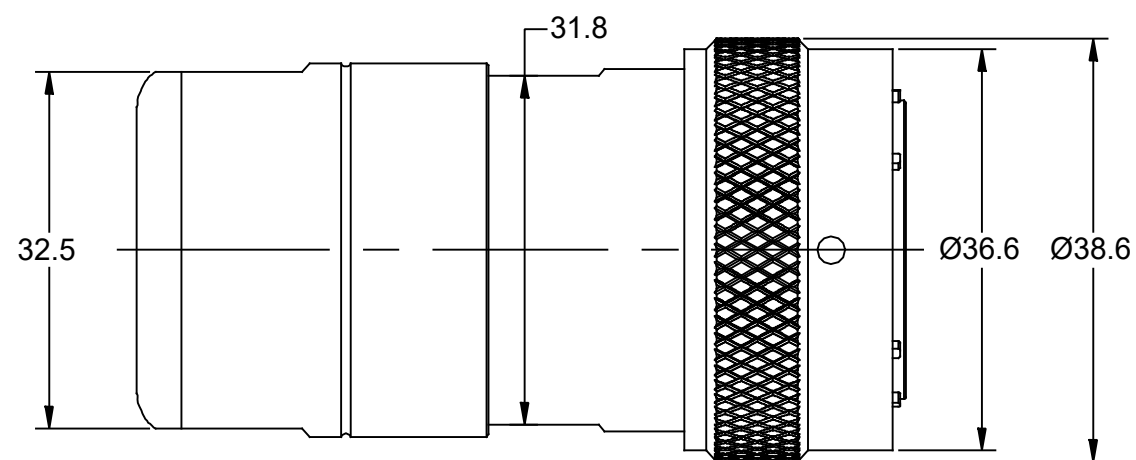
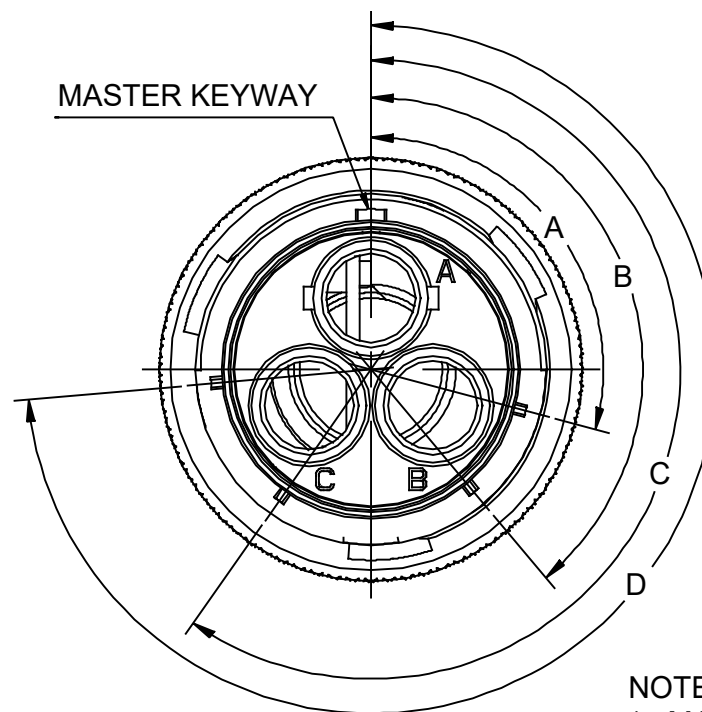
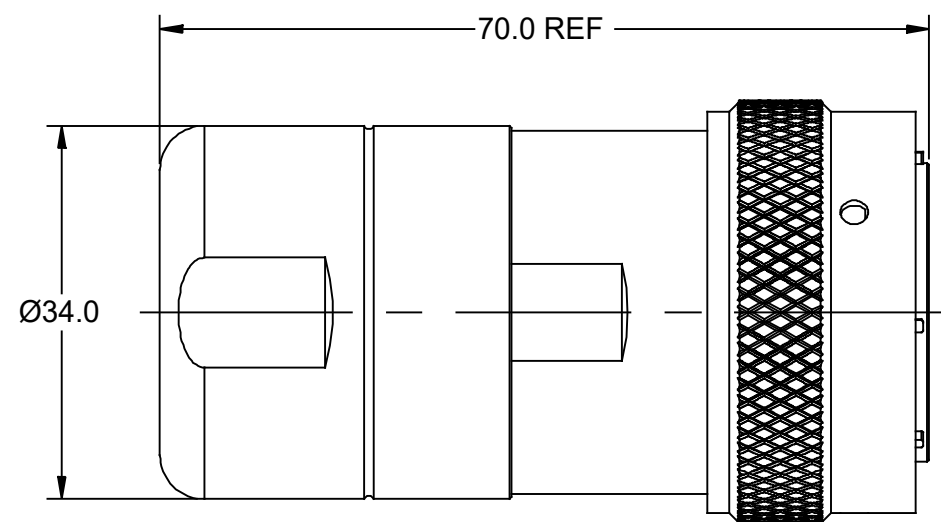
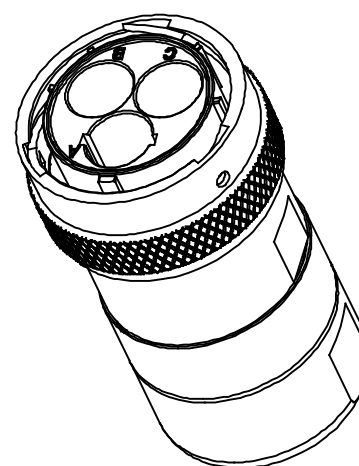


REVISIONS					
REV	ECO	DESCRIPTION	DATE	BY	APPR
A1	-	RELEASED DRAWING	Sep-25-2020	Ronald	Tommy



NOTES:

- MATERIAL:
 - HOUSING BODY: ZINC DIE- CAST, NICKEL PLATED
 - COUPLING NUT: AL ALLOY, NICKEL PLATED
 - INSULATION INSERT: PA66 ,UL94 V0
 - SEAL: SILICONE RUBBER
- SPECIFICATIONS:
 - CURRENT RATING: 86 AMPS MAX.
 - VOLTAGE RATING: 630 V A C/DC
 - OPERATING TEMPERATURE: -40°C TO +125°C
 - DIELECTRIC WITHSTANDING VOLTAGE: LESS THAN 2 MILLIAMPS CURRENT IEAKAGE @ 5000 VOLTS A C
 - DEGREE OF PROTECTION: I P67 (MATED CONDITION)
 - DEGREE OF POLLUTION: 3 PER UL840
 - OVERVOLTAGE CATEGORY: I II PER UL840
 - MATING CYCLE DURABILITY : >100 CYCLES
 - RoHS COMPLIANT
- ALL DIMENSIONS ARE FOR REFER ENCE USE ONLY.
- "*" DENOTE KEY POSTION OF "N ", "W", "X", "Y" OR "Z".



KEY POS	PART NUMBER	A	B	C	D	CABLE OD RANGE
N	RTHP6203PNH-S2	105°	140°	215°	265°	13.5-14mm
W	RTHP6203PWH-S2	79°	140°	215°	265°	
X	RTHP6203PXH-S2	105°	126°	215°	265°	
Y	RTHP6203PYH-S2	105°	140°	215°	259°	
Z	RTHP6203PZH-S2	105°	140°	215°	330°	

QUANTITY	PART NUMBER	DESCRIPTION	ITEM															
MATERIALS LIST																		
UNLESS OTHERWISE SPECIFIED 1) All dimensions are in metric(mm). 2) Tolerances are as follows: 1 PL DEC ±0.30 2 PL DEC ±0.15 3 PL DEC ±0.05 3) Note reference =		<table border="1"> <tr> <th>SIGNATURES</th> <th>DATE</th> </tr> <tr> <td>DRAWN: Ronald</td> <td>Sep-25-2020</td> </tr> <tr> <td>CHECKED: Tom</td> <td>Sep-27-2020</td> </tr> <tr> <td>ENGINEER:</td> <td></td> </tr> <tr> <td>APPROVAL: Tommy</td> <td>Sep-28-2020</td> </tr> </table>		SIGNATURES	DATE	DRAWN: Ronald	Sep-25-2020	CHECKED: Tom	Sep-27-2020	ENGINEER:		APPROVAL: Tommy	Sep-28-2020					
SIGNATURES	DATE																	
DRAWN: Ronald	Sep-25-2020																	
CHECKED: Tom	Sep-27-2020																	
ENGINEER:																		
APPROVAL: Tommy	Sep-28-2020																	
MATERIAL SPECIFICATIONS:		<p style="text-align: center;">Amphenol</p> <p>Sine Systems - www.amphenol-sine.com 44724 Morley Drive Clinton Township, MI 48036</p>																
PROCESS SPECIFICATIONS:		<p>3 Position Plug, Male Size 8 (3.6mm), Shell size 20 with Radsok® Technology, High Amperage, 630V</p>																
NEXT ASSY:		<table border="1"> <tr> <td>THIS DRAWING IS SUPPLIED FOR INFORMATION ONLY. DESIGN FEATURE SPECIFICATIONS AND PERFORMANCE D SHOWN HEREON ARE THE PROPERTY OF THE AMPHENOL CORPORATION. NO RIG OF REPRODUCTION ARE IMPLIED. ALL DIMENSIONS ARE SUBJECT TO NORMAL MANUFACTURING VARIATIONS.</td> <td>S. ATA HTS</td> <td> <table border="1"> <tr> <th>SIZE</th> <th>TYPE</th> <th>DWG NO.</th> <th>REVISION</th> </tr> <tr> <td>B</td> <td>C-</td> <td>RTHP6203P*H-Sx</td> <td>A1</td> </tr> </table> </td> </tr> <tr> <td colspan="2">SCALE: NONE</td> <td colspan="2">SHEET 1 OF 1</td> </tr> </table>		THIS DRAWING IS SUPPLIED FOR INFORMATION ONLY. DESIGN FEATURE SPECIFICATIONS AND PERFORMANCE D SHOWN HEREON ARE THE PROPERTY OF THE AMPHENOL CORPORATION. NO RIG OF REPRODUCTION ARE IMPLIED. ALL DIMENSIONS ARE SUBJECT TO NORMAL MANUFACTURING VARIATIONS.	S. ATA HTS	<table border="1"> <tr> <th>SIZE</th> <th>TYPE</th> <th>DWG NO.</th> <th>REVISION</th> </tr> <tr> <td>B</td> <td>C-</td> <td>RTHP6203P*H-Sx</td> <td>A1</td> </tr> </table>	SIZE	TYPE	DWG NO.	REVISION	B	C-	RTHP6203P*H-Sx	A1	SCALE: NONE		SHEET 1 OF 1	
THIS DRAWING IS SUPPLIED FOR INFORMATION ONLY. DESIGN FEATURE SPECIFICATIONS AND PERFORMANCE D SHOWN HEREON ARE THE PROPERTY OF THE AMPHENOL CORPORATION. NO RIG OF REPRODUCTION ARE IMPLIED. ALL DIMENSIONS ARE SUBJECT TO NORMAL MANUFACTURING VARIATIONS.	S. ATA HTS	<table border="1"> <tr> <th>SIZE</th> <th>TYPE</th> <th>DWG NO.</th> <th>REVISION</th> </tr> <tr> <td>B</td> <td>C-</td> <td>RTHP6203P*H-Sx</td> <td>A1</td> </tr> </table>	SIZE	TYPE	DWG NO.	REVISION	B	C-	RTHP6203P*H-Sx	A1								
SIZE	TYPE	DWG NO.	REVISION															
B	C-	RTHP6203P*H-Sx	A1															
SCALE: NONE		SHEET 1 OF 1																

TITLE: ECOWATE FOR HIGH AMP PLUG SIZE 20, 3POS, NICKEL SHELLS, SHELING
 DWG NO: RTHP6203P*H-Sx
 REV: A1
 SH: 1
 OF: 1