

Product Notification Form

PN #: PCN_20140605_X-200_4G-8G_SATA-Housing_STD	Rev: 1.0	Issue Date: June 5, 2014
--	-----------------	---------------------------------



Type of Change: New housing and device connector

minor / major



Detailed description of change:

This notification is to inform you about a new housing with an optimized connector for X-200 4GB and 8GB

1) Connector and PCB adaption

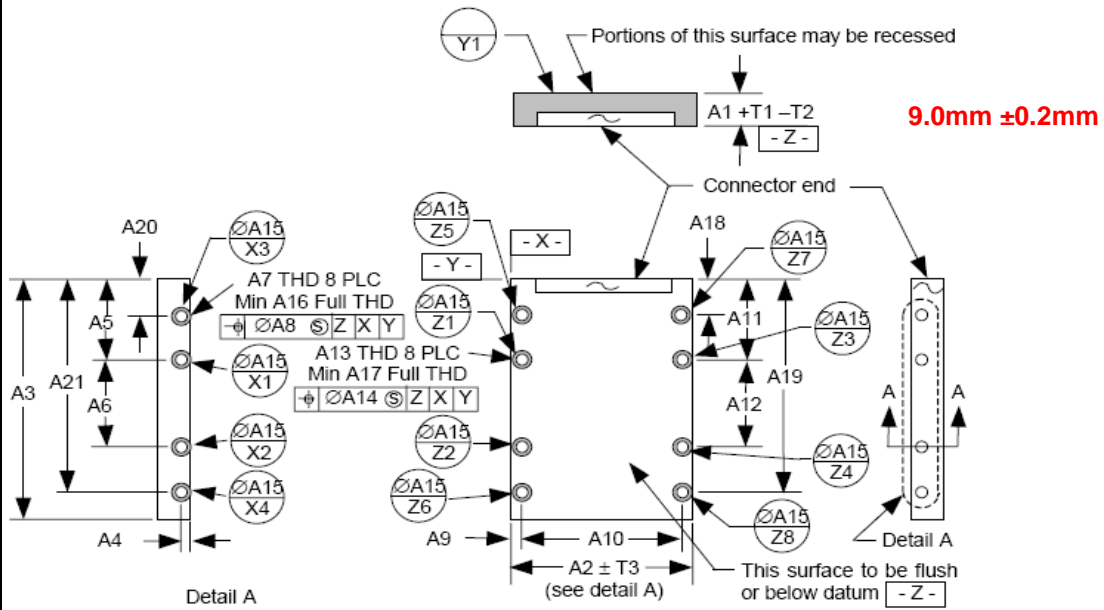
<p>old simple SATA and power connector could be disconnected by pulling or vibration</p> 	<p>new connectors with locking/latching mechanical fixed with corresponding cable connector</p> 
<p>SATA and power part of the SSD connector has the locking mechanism (same as in Swissbit X-500 series)</p> <p>The PCB had to be adapted for the new connector. The only additional change at the PCB is the option to connect SATA power pin 11 to the device activity signal.</p>	

2) Housing

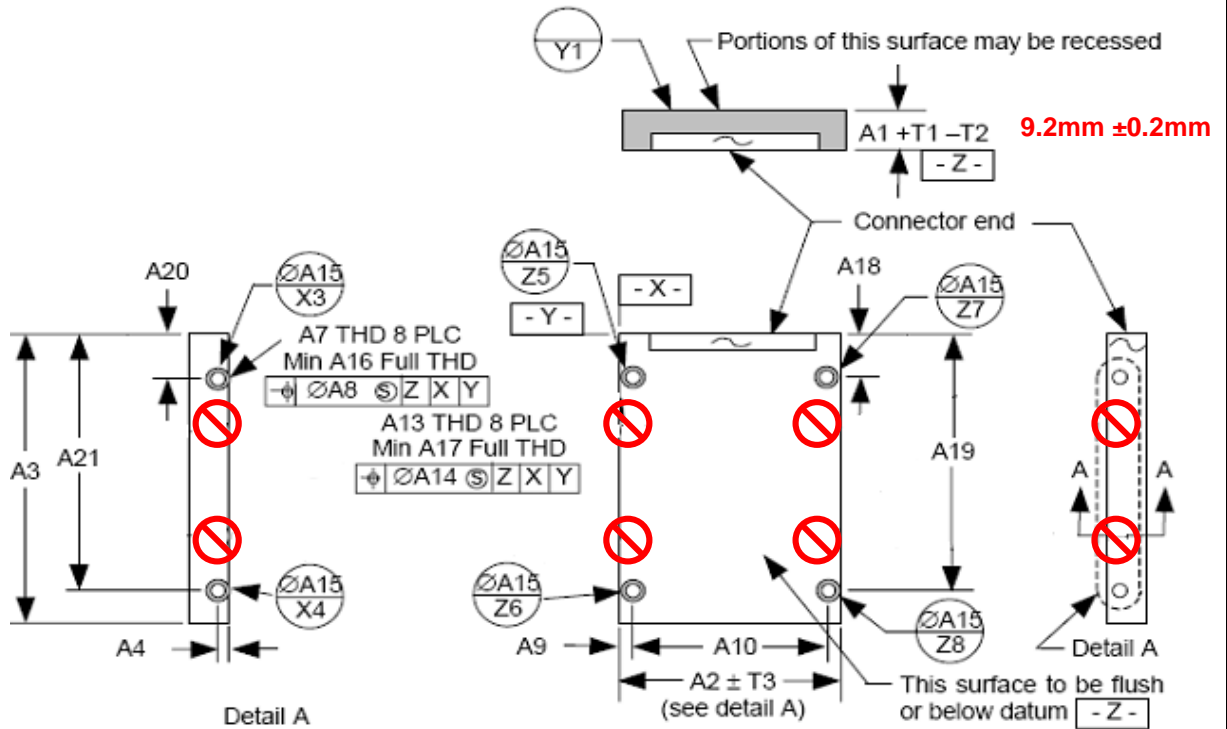
<p>old silver housing, metal surface thickness (9.0±0.2)mm 16 mounting holes</p> 	<p>new black housing, sand-blasted metal (9.2±0.2)mm 8 mounting holes (see drawing)</p> 
---	---

Product Notification Form

old



new



Product Notification Form

Quality impact:

minor / major / no

Reliability impact:

minor / major / no

Reason for change:

- o Higher process stability and product availability
- o More rugged connector with locking/latching feature
- o More rugged housing

Products affected:

Series	Part number	Part number new
X-200 Series SATA	SFSA4096Q1BRxxx-t-xx-xxx-xxx	SFSA4096Q2BR4T0-t-MS-236-STD
X-200 Series SATA	SFSA8192Q1BRxxx-t-xx-xxx-xxx	SFSA8192Q2BR4T0-t-DT-236-STD

t = temperature grade C or I; x = options and custom configuration

Implementation date: September 5, 2014 (LTB)

Forecasted Milestones:

Milestone	Date
Qualification samples	On request
Last Time Buy	September 5, 2014
Last Time Shipment	December 5, 2014

Recommended Action: Check if SSD with new housing mechanically fits in your host system (thickness, mounting holes)

Reference Documents / Attachments: Mechanical specification of X-200 series

Should you have any issues with the timeline or content of this change, please contact the representative listed below in our area or your sales contact within 20 days. No response will be deemed as customer's acceptance of the change and the change will be implemented pursuant to the implementation date set forth in this PCN.

Contacts	Name	Email
Application Engineer - EMEA	Stefan Faulhaber	stefan.faulhaber@swissbit.com
Application Engineer - NA	Roland Ochoa	roland.ochoa@swissbit.com
Application Engineer - JP	Junji Kaneko	junji.kaneko@swissbit.com

IMPORTANT NOTE:

Swissbit – as a provider of industrial products – announces and informs about every change in the product hardware and firmware. We always test backwards compatibility and assure best quality, reliability and transparency for our customers. We apologize for any inconvenience caused.

Product Notification Form

Products affected:

X-200 Series SATA		
Density	SAP	Part number
4GB	603288	SFSA4096Q1BR4TO-I-MS-216-STD
	603293	SFSA4096Q1BR4TO-C-MS-216-STD
	603777	SFSA4096Q1BR4TO-I-MS-226-STD
	603783	SFSA4096Q1BR4TO-C-MS-226-STD
	604244	SFSA4096Q1BR4TO-I-MS-236-STD
	604245	SFSA4096Q1BR4TO-C-MS-236-STD
8GB	603289	SFSA8192Q1BR4TO-I-DT-216-STD
	603294	SFSA8192Q1BR4TO-C-DT-216-STD
	603778	SFSA8192Q1BR4TO-I-DT-226-STD
	603784	SFSA8192Q1BR4TO-C-DT-226-STD
	604246	SFSA8192Q1BR4TO-I-DT-236-STD
	604247	SFSA8192Q1BR4TO-C-DT-236-STD