

MATERIALS AND FINISHES:

BODY: BRASS
 PLATED: TRI-M3 (118µ-in MIN)

OUTER CONTACT: BERYLLIUM COPPER
 PLATED: TRI-M3 (118µ-in MIN)

CONTACT: BERYLLIUM COPPER
 PLATED: SILVER (118µ-in MIN)

INSULATORS: PTFE

O-RING: BUNA-N

PERFORMANCE REQUIREMENTS:

FREQUENCY RANGE: 0-6 GHz

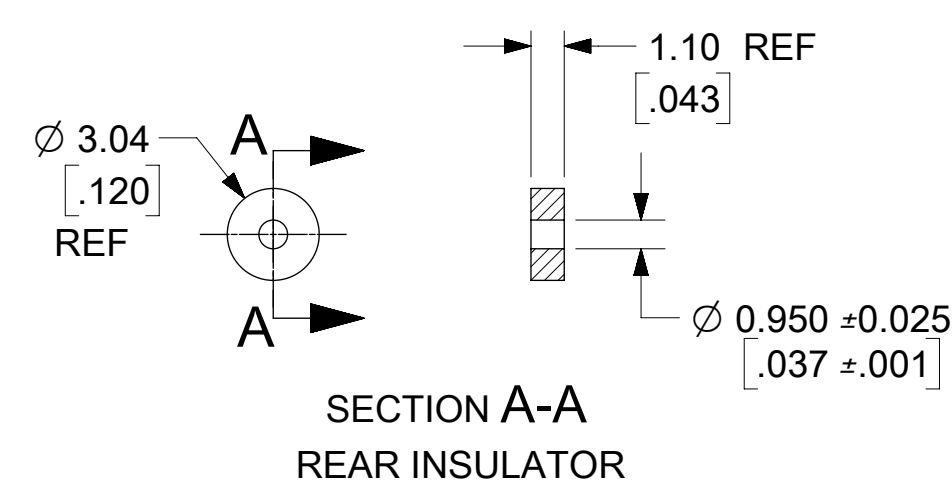
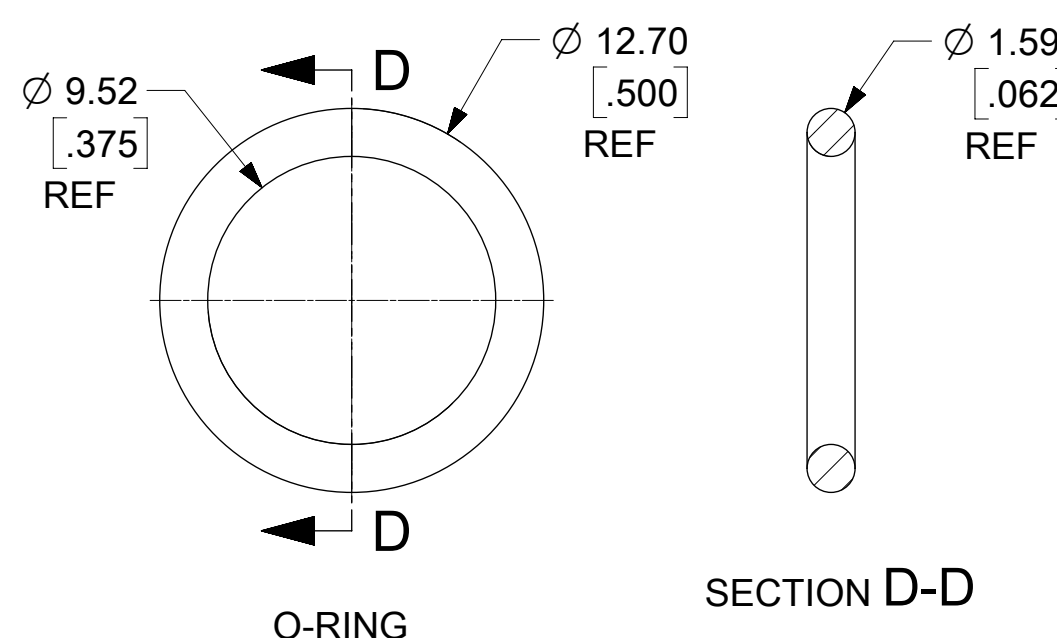
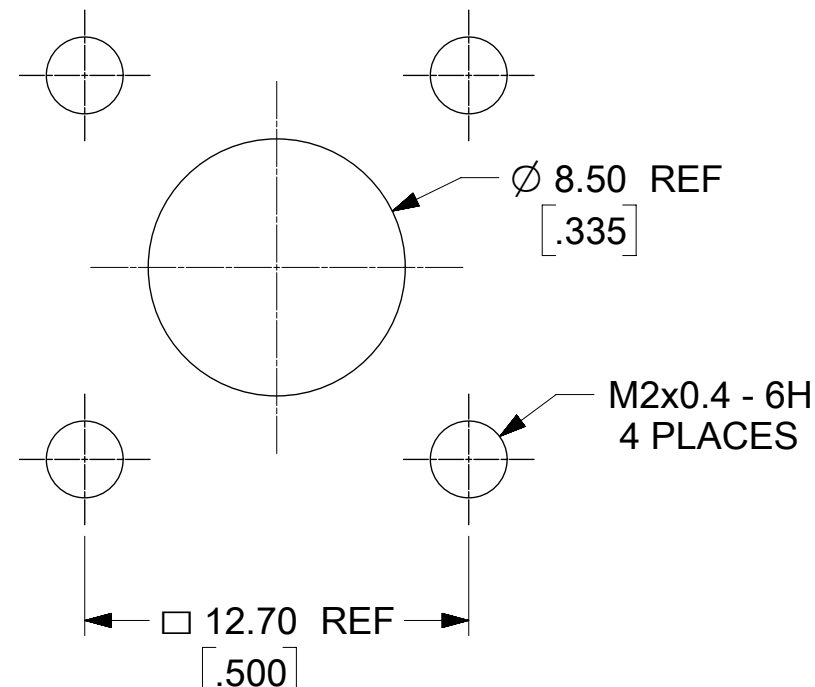
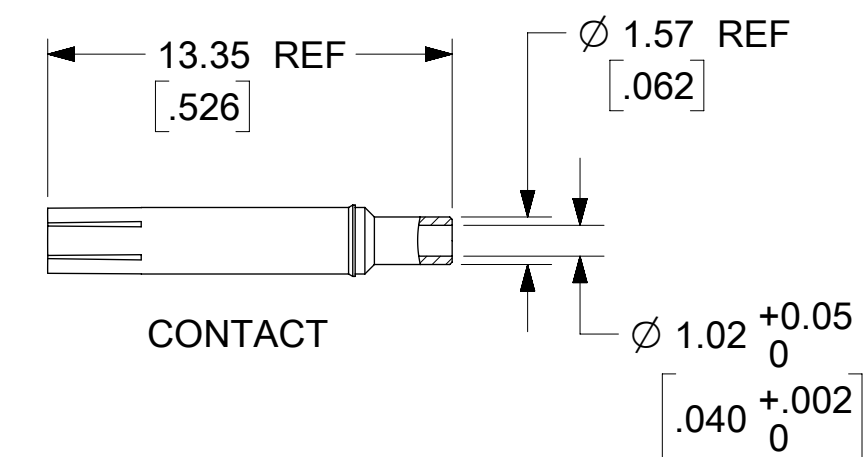
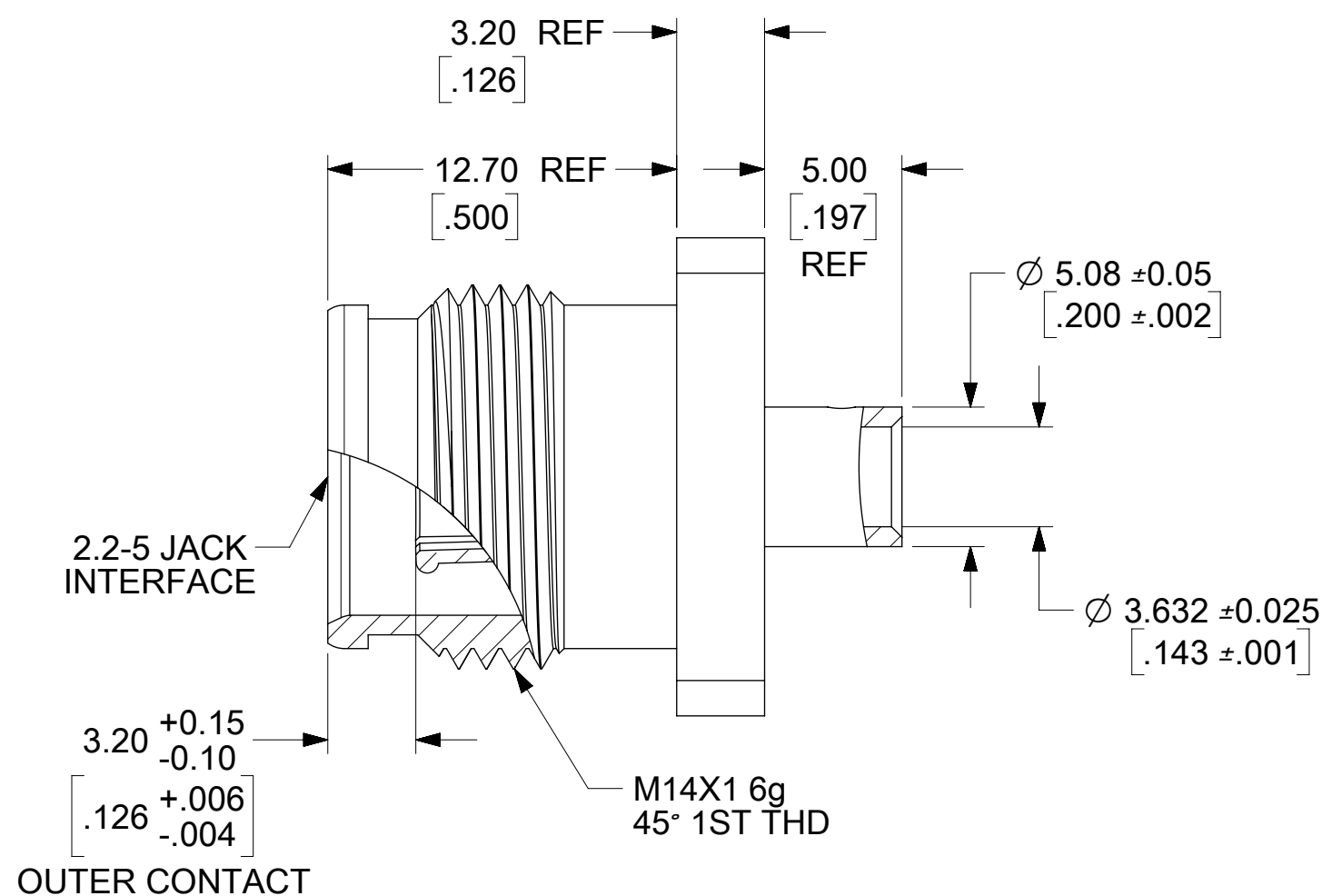
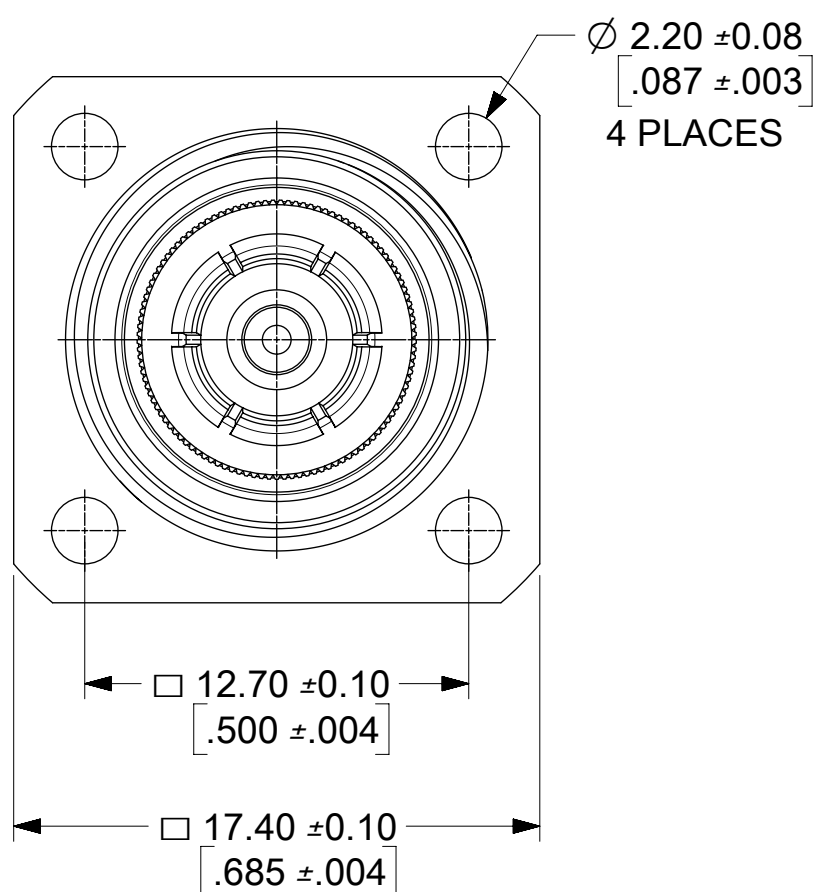
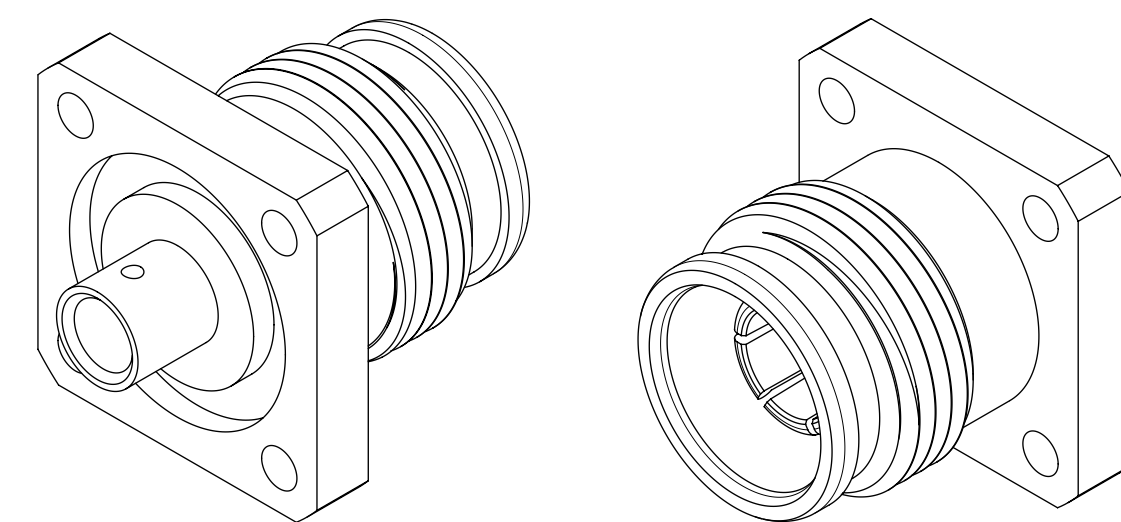
IMPEDANCE: 50 OHMS

WITHSTAND VOLTAGE: 1.5 kV/ 50 Hz

RETURN LOSS (TYPICAL): -36dB, DC TO 6.0GHz

PIM (TYPICAL): <-166dBc @ 2 x 43dBm

WATER PROOF: IP67 (UNMATED)



RECOMENDED PANEL DETAILS

PART # 73225-3000

| | |
|----------------------------|-------------|
| 2.2-5 INTERFACE SPEC (IEC) | INTERFACE |
| SPECIFICATION | DESCRIPTION |

| | | | |
|---------|--|---|---------------------------|
| SYMBOLS | | THIS DRAWING CONTAINS INFORMATION THAT IS PROPRIETARY TO MOLEX ELECTRONIC TECHNOLOGIES, LLC AND SHOULD NOT BE USED WITHOUT WRITTEN PERMISSION | |
| ▽ = 0 | 4 PLACES ± | DIMENSION UNITS | SCALE |
| ▽ = 0 | 3 PLACES ± | MM | SCALE |
| ▽ = 0 | 2 PLACES ± | GENERAL TOLERANCES (UNLESS SPECIFIED) | CURRENT REV DESC: SEE ECM |
| ▽ = 0 | 1 PLACE ± | MM | INCH |
| ▽ = 0 | 0 PLACES ± | ± | ± |
| ▽ = 0 | ANGULAR TOL ± 2.0° | ± 0.25 | ± 0.01 |
| ▽ = 0 | DRAFT WHERE APPLICABLE MUST REMAIN WITHIN DIMENSIONS | ± | ± |
| ▽ = 0 | | THIRD ANGLE PROJECTION | DRAWING |
| ▽ = 0 | | C-SIZE | SERIES |
| | | | 73225 |
| | | | 732253000 |
| | | | 1 OF 2 |

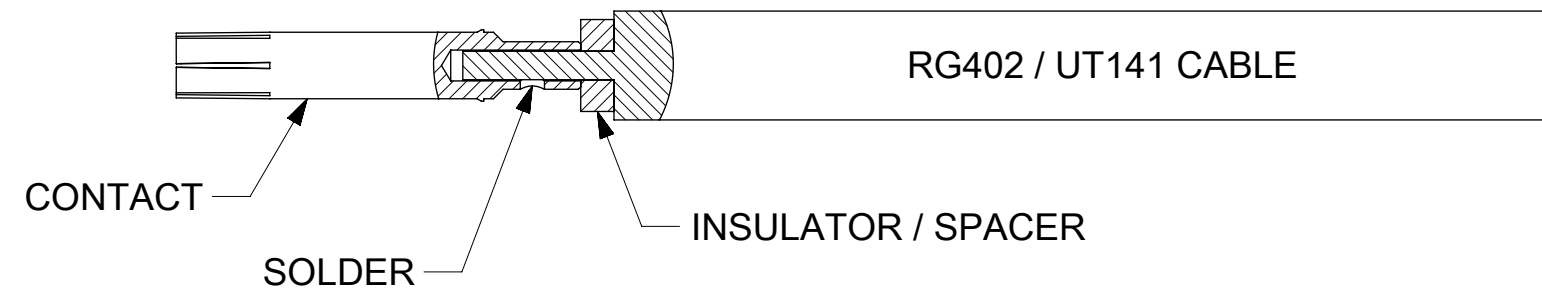
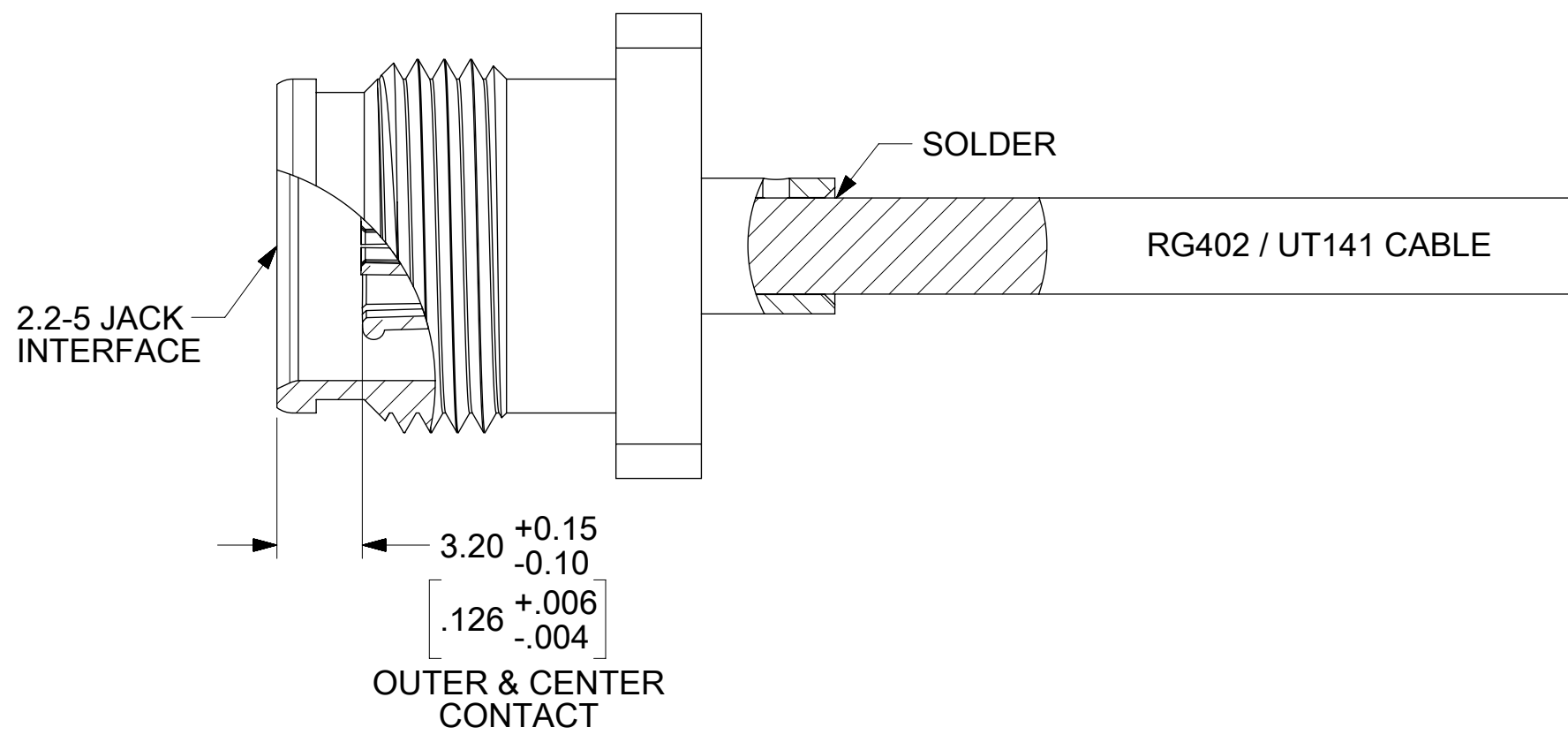
molex

2.2-5 J PANEL FM 4 HOLE IP67 FOR RG402/UT141 CORRUGATED CABLES, EWR-11420

PRODUCT CUSTOMER DRAWING

DOCUMENT NUMBER: **732253000** | DOC TYPE: PSD | DOC PART: 000 | REVISION: B

MATERIAL NUMBER: 732253000 | CUSTOMER: | SHEET NUMBER: 1 OF 2



| | | | | | |
|---------|---|------------------------|--|--------|--------|
| SYMBOLS | THIS DRAWING CONTAINS INFORMATION THAT IS PROPRIETARY TO MOLEX ELECTRONIC TECHNOLOGIES, LLC AND SHOULD NOT BE USED WITHOUT WRITTEN PERMISSION | | | | |
| | DIMENSION UNITS | SCALE | CURRENT REV DESC: SEE ECM | | |
| ▽ = 0 | MM | | EC NO: 601674 DRWN: APRAKASH01 2018/07/13 CHK'D: BBHARADWAJD 2018/08/02 APPR: AROBERTSON 2018/08/02 INITIAL REVISION: DRWN: BBHARADWAJD 2018/07/05 APPR: AROBERTSON 2018/07/05 | | |
| ▽ = 0 | GENERAL TOLERANCES (UNLESS SPECIFIED) | | | | |
| ▽ = 0 | | MM | | | INCH |
| ▽ = 0 | 4 PLACES ± | | | | ± |
| ▽ = 0 | 3 PLACES ± | | | | ± 0.01 |
| ▽ = 0 | 2 PLACES ± | 0.25 | ± | | |
| ▽ = 0 | 1 PLACE ± | | ± | | |
| ▽ = 0 | 0 PLACES ± | | ± | | |
| ▽ = 0 | ANGULAR TOL | ± 2.0° | | | |
| ▽ = 0 | DRAFT WHERE APPLICABLE MUST REMAIN WITHIN DIMENSIONS | THIRD ANGLE PROJECTION | DRAWING | SERIES | |
| | | | C-SIZE | 73225 | |

| | | | |
|---|----------|--------------|----------|
| molex | | | |
| 2.2-5 J PANEL FM 4 HOLE IP67 FOR RG402/UT141 CORRUGATED CABLES, EWR-11420 | | | |
| PRODUCT CUSTOMER DRAWING | | | |
| DOCUMENT NUMBER | DOC TYPE | DOC PART | REVISION |
| 732253000 | PSD | 000 | B |
| MATERIAL NUMBER | CUSTOMER | SHEET NUMBER | |
| 732253000 | | 2 OF 2 | |

| | | | | |
|-----------------|----|--------------|------------|----------|
| DOCUMENT STATUS | P1 | RELEASE DATE | 2018/08/02 | 13:05:14 |
|-----------------|----|--------------|------------|----------|