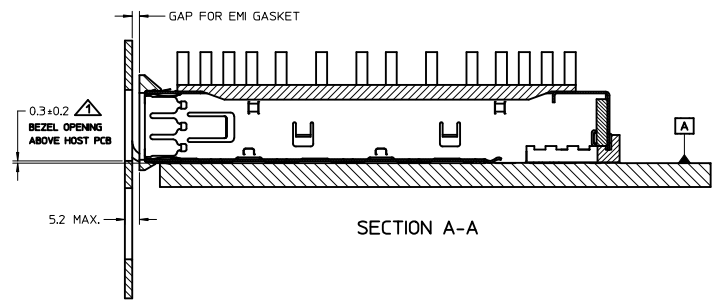
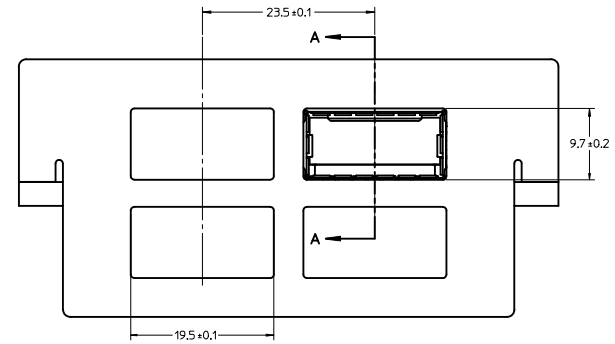
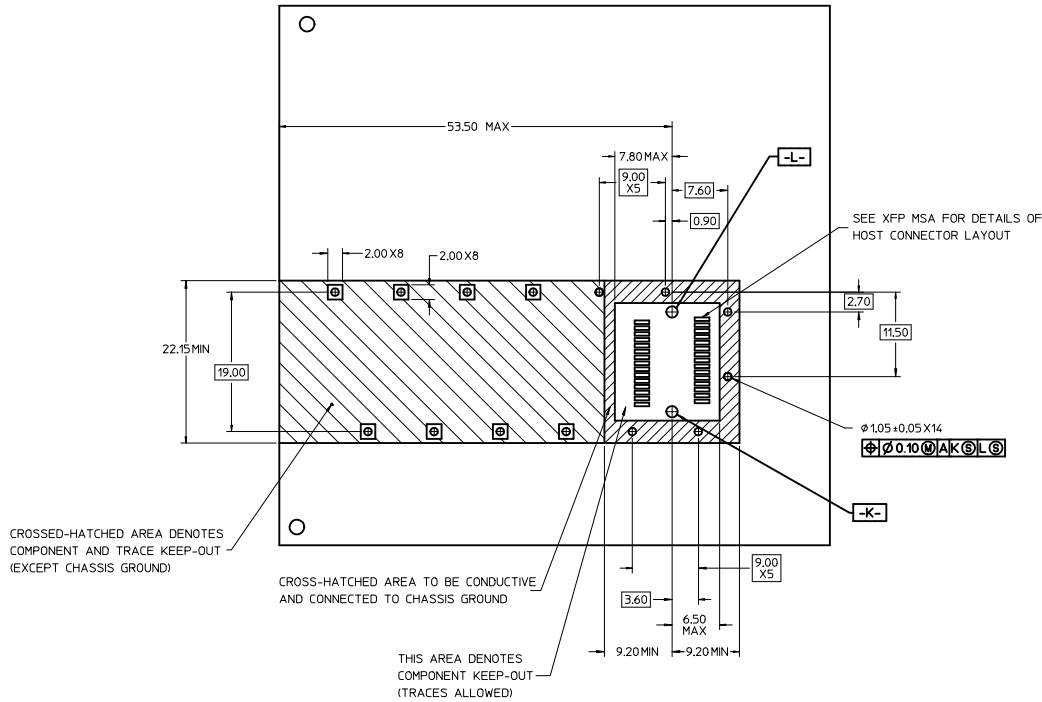


1. PRESS FIT LEGS 2.28mm [0.090"]
2. SINGLE SIDED BOARD THICKNESS  
 NOMINAL: 1.60 [0.062"]  
 MINIMUM: 1.44 [0.057"]  
 BELLY TO BELLY BOARD THICKNESS  
 NOMINAL: 2.30 [0.090"]  
 MINIMUM: 2.07 [0.081"]
3. REFERENCE DOCUMENTS:  
 PRODUCT SPECIFICATION: XFP MSA
4. THIS PRODUCT MEETS THE RESTRICTION OF HAZARDOUS SUBSTANCES IN ELECTRICAL AND ELECTRONIC EQUIPMENT (RoHS) DIRECTIVE (2009/95/EC).

<b>ADDED NOTE PG 2</b> EC NO: USY2011-0301 DRAWN: JERWIN CHECKED: CHIRSCHY APPROVED: RAHMOOD DATE: 2010/03/10	QUALITY SYMBOLS	GENERAL TOLERANCES (UNLESS SPECIFIED)	DIMENSION STYLE	SCALE	DESIGN UNITS	THIRD ANGLE PROJECTION															
	▼=0 ▽=0	<table border="1"> <thead> <tr> <th></th> <th>mm</th> <th>INCH</th> </tr> </thead> <tbody> <tr> <td>4 PLACES</td> <td>±.005</td> <td>±.0005</td> </tr> <tr> <td>3 PLACES</td> <td>±.008</td> <td>±.0008</td> </tr> <tr> <td>2 PLACES</td> <td>±.010</td> <td>±.0010</td> </tr> <tr> <td>1 PLACE</td> <td>±.025</td> <td>±.0025</td> </tr> </tbody> </table> ANGULAR ± 1°		mm	INCH	4 PLACES	±.005	±.0005	3 PLACES	±.008	±.0008	2 PLACES	±.010	±.0010	1 PLACE	±.025	±.0025	MM ONLY DRAWN BY: JERWIN CHECKED BY: CHIRSCHY APPROVED BY: RAHMOOD DATE: 2010/11/23	3:1	METRIC	TITLE: XFP CAGE ASSEMBLY W/ INSULATING TAPE
		mm	INCH																		
	4 PLACES	±.005	±.0005																		
3 PLACES	±.008	±.0008																			
2 PLACES	±.010	±.0010																			
1 PLACE	±.025	±.0025																			
DRAFT WHERE APPLICABLE MUST REMAIN WITHIN DIMENSIONS	MATERIAL NO: 747360451 SIZE: D	MOLEX INCORPORATED DOCUMENT NO: SD-74736-0451	SHEET NO: 1 OF 3																		

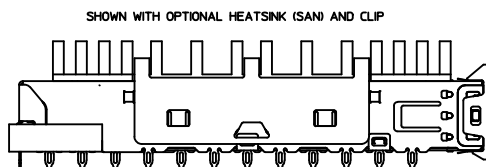
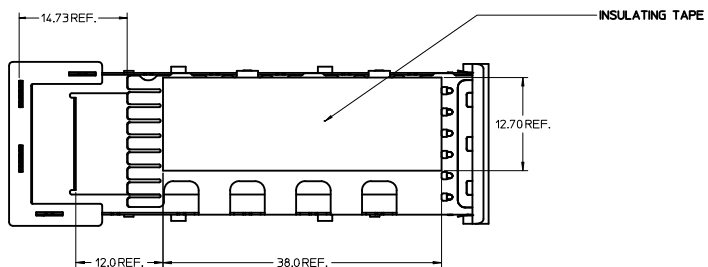
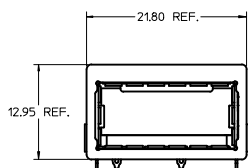
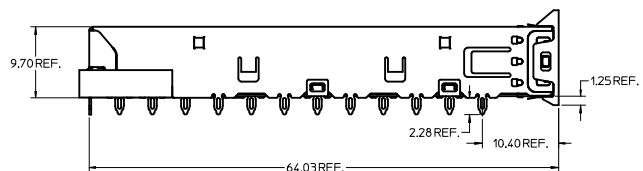
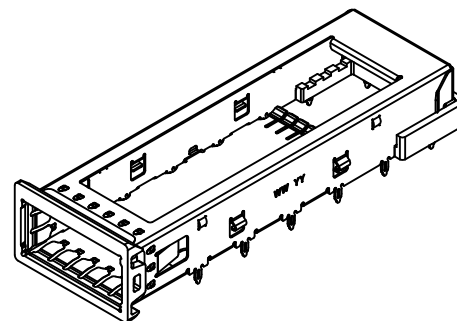
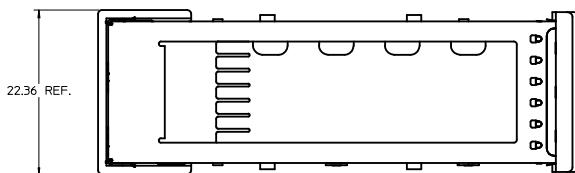


▲ FOR PCI APPLICATIONS RECOMMENDED DIMENSION IS 0.4 ± 0.1

<b>ADDED NOTE PG 2</b> EC NO: USY2011-0301 DRAWN: JERWIN 2010/03/01 CHKD: CHIRSCHY APPR: RAHMOOD 2010/11/23	QUALITY SYMBOLS	GENERAL TOLERANCES (UNLESS SPECIFIED)	DIMENSION STYLE	SCALE	DESIGN UNITS	THIRD ANGLE PROJECTION
	▽=0 ▽=0	mm INCH 4 PLACES ± --- ± --- 3 PLACES ± --- ± --- 2 PLACES ± 0.10 ± --- 1 PLACE ± 0.25 ± --- ANGULAR ± 1°	MM ONLY	3:1	METRIC	TITLE: XFP CAGE ASSEMBLY W/ INSULATING TAPE MATERIAL NO: 747360451 DOCUMENT NO: SD-74736-0451
	DRAFT WHERE APPLICABLE MUST REMAIN WITHIN DIMENSIONS	DRAWN BY: JERWIN CHECKED BY: CHIRSCHY APPROVED BY: RAHMOOD	DATE: 2008/09/10 DATE: 2008/08/10 DATE: 2010/11/23	MOLEX INCORPORATED	SHEET NO: 2 OF 3	
	THIS DRAWING CONTAINS INFORMATION THAT IS PROPRIETARY TO MOLEX INCORPORATED AND SHOULD NOT BE USED WITHOUT WRITTEN PERMISSION					

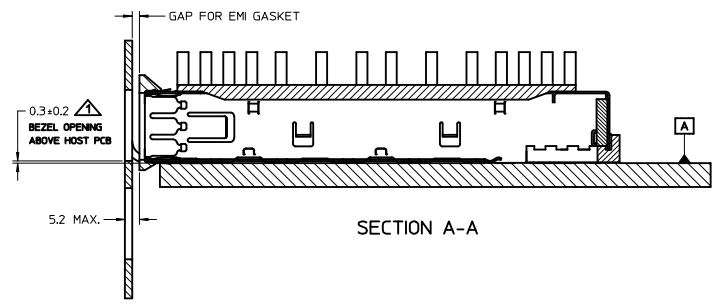
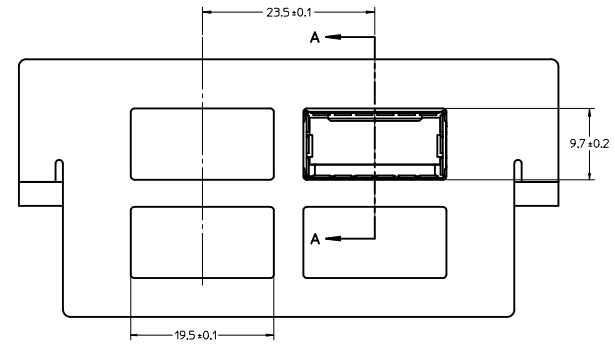
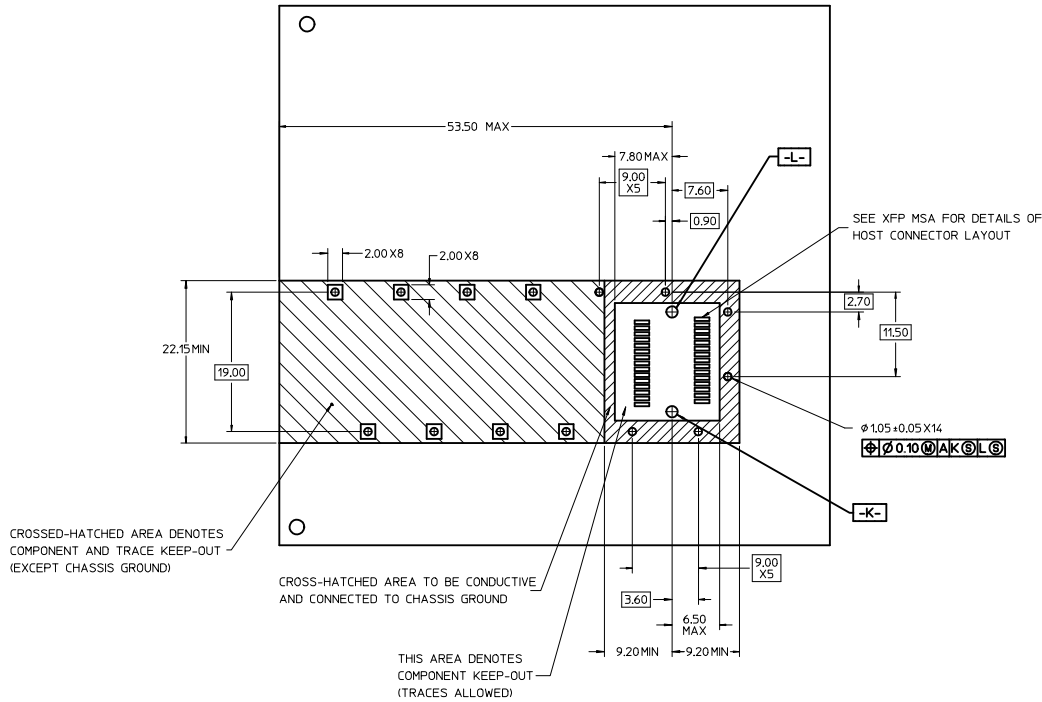
DATE	REV	DESCRIPTION
2008/09/10	A	1. INITIAL RELEASE
2009/05/07	B	1. REMOVED ISO VIEW FROM PAGE 1
		2. ADDED NOTES TO PAGE 1
		3. REMOVED NOTE 2 FROM PAGE 2
		4. REMOVED NOTE 3 FROM PAGE 1 AND RENUMBERED REMAINING NOTES
2010/03/01	C	1. ADDED NOTE - THIS AREA DENOTES COMPONENT KEEP-OUT (TRACES ALLOWED) PAGE 2.

<b>REMOVED ISO VIEW</b> IEC NO. USY2011-0301 DRAWN: JERWIN 2010/03/01 CHECKED: CHYK & CHRSCHY APPROVED: RMAHMOOD 2010/11/23	QUALITY SYMBOLS	GENERAL TOLERANCES (UNLESS SPECIFIED)	DIMENSION STYLE	SCALE	DESIGN UNITS	THIRD ANGLE PROJECTION	
	=0 =0	mm    INCH 4 PLACES ± --- ± --- 3 PLACES ± --- ± --- 2 PLACES ± 0.10 ± --- 1 PLACE ± 0.25 ± --- ANGULAR ± 1°	MM ONLY 1:1 METRIC	DRAWN BY: JERWIN DATE: 2008/09/10 CHECKED BY: CHRSCHY DATE: 2008/08/10 APPROVED BY: RMAHMOOD DATE: 2010/11/23	TITLE: XFP CAGE ASSEMBLY W/ INSULATING TAPE	Molex MOLEX INCORPORATED	SHEET NO. 3 OF 3
	DRAFT WHERE APPLICABLE MUST REMAIN WITHIN DIMENSIONS	MATERIAL NO. 747360451	DOCUMENT NO. SD-74736-0451	THIS DRAWING CONTAINS INFORMATION THAT IS PROPRIETARY TO MOLEX INCORPORATED AND SHOULD NOT BE USED WITHOUT WRITTEN PERMISSION			
	SIZE D						



1. PRESS FIT LEGS 2.28mm [0.090"]
2. SINGLE SIDED BOARD THICKNESS  
 NOMINAL: 1.60 [0.062"]  
 MINIMUM: 1.44 [0.057"]  
 BELLY TO BELLY BOARD THICKNESS  
 NOMINAL: 2.30 [0.090"]  
 MINIMUM: 2.07 [0.081"]
3. REFERENCE DOCUMENTS:  
 PRODUCT SPECIFICATION: XFP MSA
4. THIS PRODUCT MEETS THE RESTRICTION OF HAZARDOUS SUBSTANCES IN ELECTRICAL AND ELECTRONIC EQUIPMENT (RoHS) DIRECTIVE (2009/95/EC).

<b>ADDED NOTE PG 2</b> EC NO: USY2011-0301 DRAWN: JERWIN CHECKED: CHIRSCHY APPROVED: RAHMOOD DATE: 2010/03/10	QUALITY SYMBOLS ▽=0 ▽=0	GENERAL TOLERANCES (UNLESS SPECIFIED)		DIMENSION STYLE <b>MM ONLY</b>	SCALE <b>3:1</b>	DESIGN UNITS <b>METRIC</b>	THIRD ANGLE PROJECTION		
		4 PLACES ±--- ±---	3 PLACES ±--- ±---	2 PLACES ±0.10 ±---	1 PLACE ±0.25 ±---	DRAWN BY JERWIN	DATE 2008/09/10	TITLE <b>XFP CAGE ASSEMBLY W/ INSULATING TAPE</b>	
		DRAFT WHERE APPLICABLE MUST REMAIN WITHIN DIMENSIONS		MATERIAL NO. <b>747360451</b>	DOCUMENT NO. <b>SD-74736-0451</b>	MOLEX INCORPORATED		SHEET NO. 1 OF 3	
		THIS DRAWING CONTAINS INFORMATION THAT IS PROPRIETARY TO MOLEX INCORPORATED AND SHOULD NOT BE USED WITHOUT WRITTEN PERMISSION							

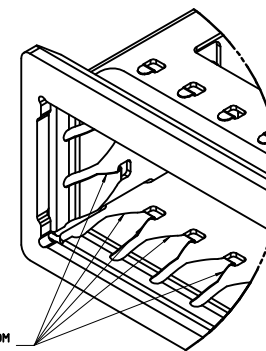
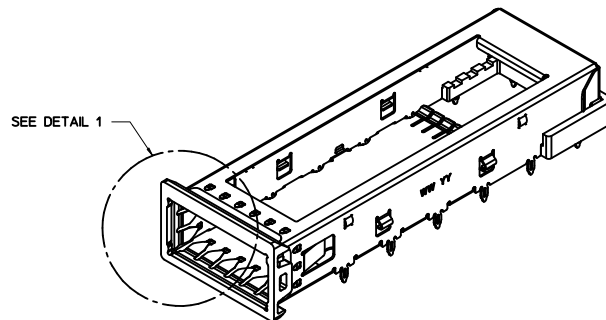
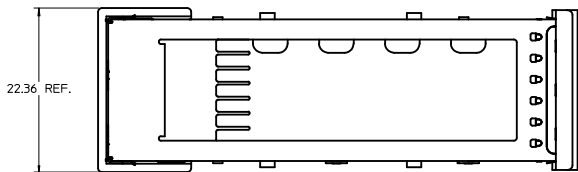


▲ FOR PCI APPLICATIONS RECOMMENDED DIMENSION IS 0.4 ± 0.1

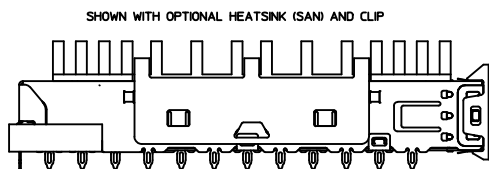
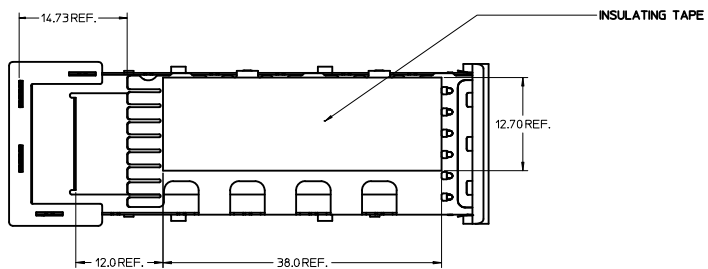
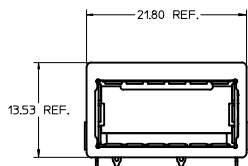
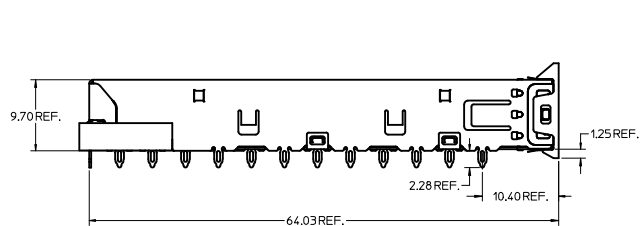
<b>ADDED NOTE PG 2</b> EC NO: USY2011-0301 DRAWN: JERWIN 2010/03/01 CHKD: CHIRSCHY APPR: RAHMOOD 2010/11/23	QUALITY SYMBOLS ▽=0 ▽=0	GENERAL TOLERANCES (UNLESS SPECIFIED) 4 PLACES ± mm ± INCH 3 PLACES ± mm ± INCH 2 PLACES ± 0.10 ± --- 1 PLACE ± 0.25 ± --- ANGULAR ± 1°	DIMENSION STYLE MM ONLY SCALE 3:1 DESIGN UNITS METRIC THIRD ANGLE PROJECTION	DRAWN BY DATE JERWIN 2008/09/10 CHECKED BY DATE CHIRSCHY 2008/08/10 APPROVED BY DATE RAHMOOD 2010/11/23	TITLE XFP CAGE ASSEMBLY W/ INSULATING TAPE	
	DRAFT WHERE APPLICABLE MUST REMAIN WITHIN DIMENSIONS		MATERIAL NO. 747360451	MOLEX INCORPORATED DOCUMENT NO. SD-74736-0451		
			SIZE D	THIS DRAWING CONTAINS INFORMATION THAT IS PROPRIETARY TO MOLEX INCORPORATED AND SHOULD NOT BE USED WITHOUT WRITTEN PERMISSION		
					SHEET NO. 2 OF 3	

DATE	REV	DESCRIPTION
2008/09/10	A	1. INITIAL RELEASE
2009/05/07	B	1. REMOVED ISO VIEW FROM PAGE 1
		2. ADDED NOTES TO PAGE 1
		3. REMOVED NOTE 2 FROM PAGE 2
		4. REMOVED NOTE 3 FROM PAGE 1 AND RENUMBERED REMAINING NOTES
2010/03/01	C	1. ADDED NOTE - THIS AREA DENOTES COMPONENT KEEP-OUT (TRACES ALLOWED) PAGE 2.

<b>REMOVED ISO VIEW</b> IEC NO. USY2011-0301 DRAWN: JERWIN 2010/03/01 CHECKED: CHIRSCHY APPROVED: MAHMOOD 2010/11/23	QUALITY SYMBOLS	GENERAL TOLERANCES (UNLESS SPECIFIED)	DIMENSION STYLE	SCALE	DESIGN UNITS	THIRD ANGLE PROJECTION
	=0 =0	mm INCH 4 PLACES ± --- ± --- 3 PLACES ± --- ± --- 2 PLACES ± 0.10 ± --- 1 PLACE ± 0.25 ± --- ANGULAR ± 1°	MM ONLY	1:1	METRIC	
		DRAFT WHERE APPLICABLE MUST REMAIN WITHIN DIMENSIONS	DRAWN BY DATE JERWIN 2008/09/10 CHECKED BY DATE CHIRSCHY 2008/08/10 APPROVED BY DATE MAHMOOD 2010/11/23	TITLE	XFP CAGE ASSEMBLY W/ INSULATING TAPE	
			MATERIAL NO. <b>747360451</b>	DOCUMENT NO. <b>SD-74736-0451</b>	Molex MOLEX INCORPORATED SHEET NO. 3 OF 3	

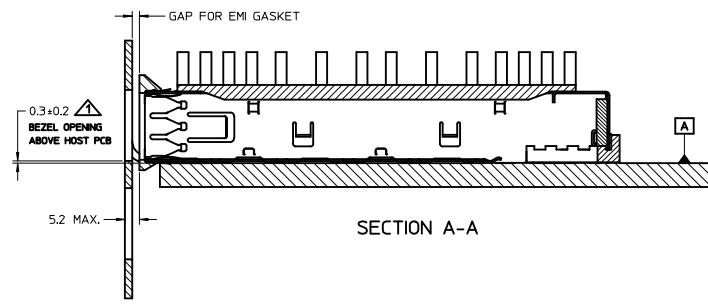
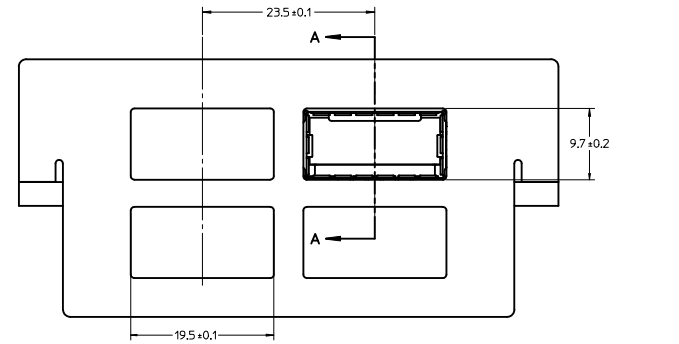
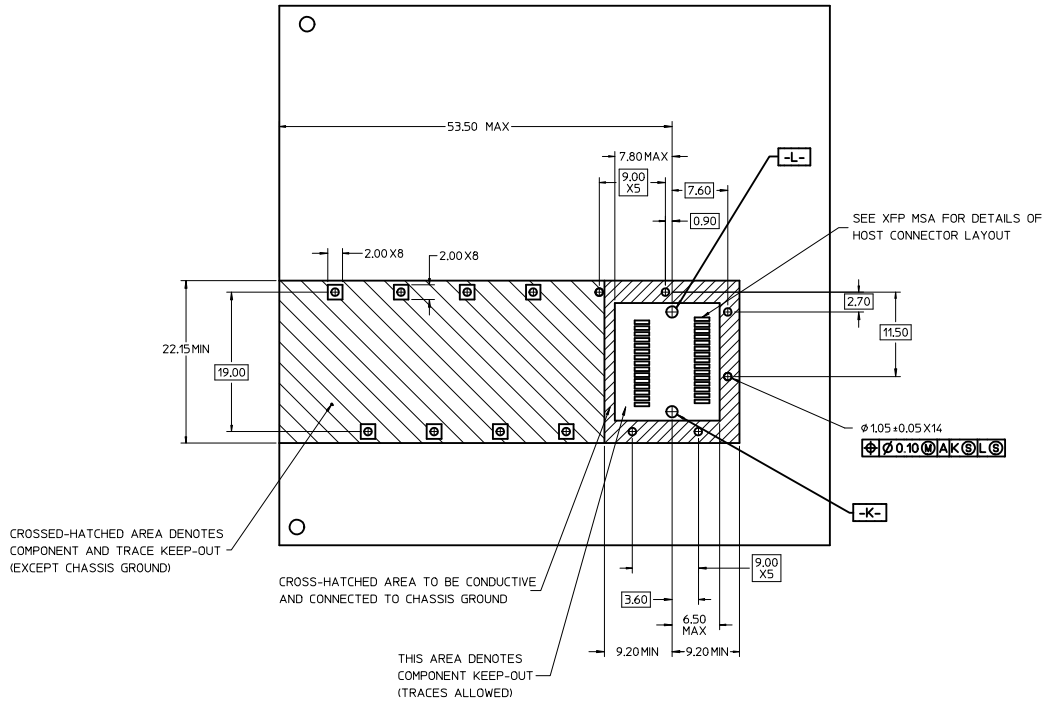


DETAIL 1  
SCALE 8:1



1. PRESS FIT LEGS 2.28mm [0.090"]
2. SINGLE SIDED BOARD THICKNESS  
 NOMINAL: 1.60 [0.062"]  
 MINIMUM: 1.44 [0.057"]  
 BELLY TO BELLY BOARD THICKNESS  
 NOMINAL: 2.30 [0.090"]  
 MINIMUM: 2.07 [0.081"]
3. REFERENCE DOCUMENTS:  
 PRODUCT SPECIFICATION: XFP MSA
4. THIS PRODUCT MEETS THE RESTRICTION OF HAZARDOUS SUBSTANCES IN ELECTRICAL AND ELECTRONIC EQUIPMENT (RoHS) DIRECTIVE (2009/95/EC).

INITIAL RELEASE EC NO: USY2011-0313 DRAWN: JERWIN 2010/11/03 CHECKED: CHRISCHY 2010/11/03 APPROVED: RMAHMOOD 2010/11/09	QUALITY SYMBOLS ▽=0 ▽=0	GENERAL TOLERANCES (UNLESS SPECIFIED)		DIMENSION STYLE MM ONLY		SCALE 3:1	DESIGN UNITS METRIC	THIRD ANGLE PROJECTION	
		4 PLACES ±.05 3 PLACES ±.04 2 PLACES ±.03 1 PLACE ±.02	mm INCH	DRAWN BY JERWIN	DATE 2010/11/03	TITLE XFP CAGE ASSEMBLY W/ INSULATING TAPE			
		ANGULAR ± 1°	DRAFT WHERE APPLICABLE MUST REMAIN WITHIN DIMENSIONS	CHECKED BY CHRISCHY	DATE 2010/11/03	MOLEX INCORPORATED			
		MATERIAL NO. 747360452	DOCUMENT NO. SD-74736-0452	APPROVED BY RMAHMOOD		DATE 2010/11/09	SHEET NO. 1 OF 3		



△ FOR PCI APPLICATIONS RECOMMENDED DIMENSION IS 0.4 ± 0.1

INITIAL RELEASE IEC NO: USYZ2011-0313 DRAWN: JERWIN 2010/11/03 CHKD: CHRSCHY 2010/11/03 APPR: RAHMOOD 2010/11/09	QUALITY SYMBOLS	GENERAL TOLERANCES (UNLESS SPECIFIED)	DIMENSION STYLE	SCALE	DESIGN UNITS	THIRD ANGLE PROJECTION
	▽=0 ▽=0	mm INCH 4 PLACES ± --- ± --- 3 PLACES ± --- ± --- 2 PLACES ± 0.10 ± --- 1 PLACE ± 0.25 ± --- ANGULAR ± 1°	MM ONLY	3:1	METRIC	TITLE: XFP CAGE ASSEMBLY W/ INSULATING TAPE MATERIAL NO: 747360452 DOCUMENT NO: SD-74736-0452
	DRAFT WHERE APPLICABLE MUST REMAIN WITHIN DIMENSIONS	DRAWN BY: JERWIN CHECKED BY: CHRSCHY APPROVED BY: RAHMOOD	DATE: 2010/11/03 DATE: 2010/11/03 DATE: 2010/11/09	MOLEX INCORPORATED	SHEET NO: 2 OF 3	
	THIS DRAWING CONTAINS INFORMATION THAT IS PROPRIETARY TO MOLEX INCORPORATED AND SHOULD NOT BE USED WITHOUT WRITTEN PERMISSION					

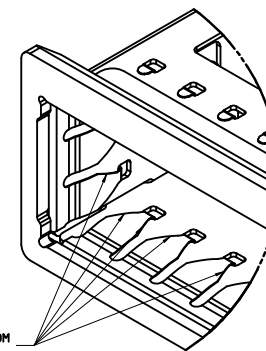
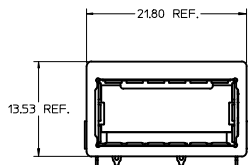
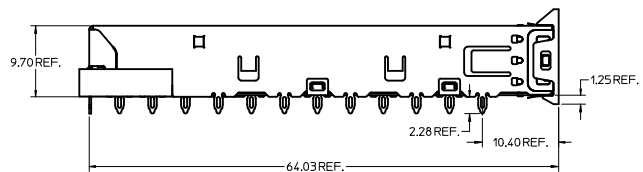
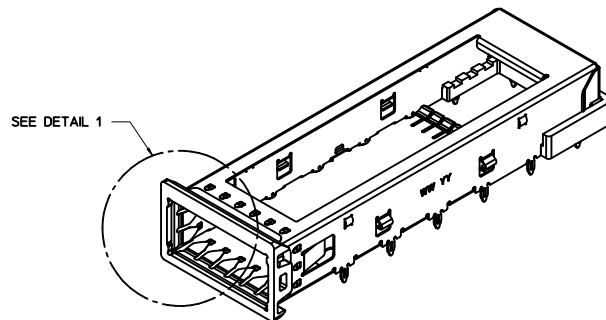
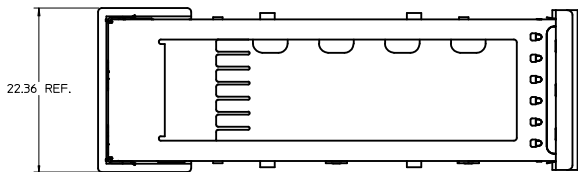


20 19 18 17 16 15 14 13 12 11 10 9 8 7 6 5 4 3 2 1

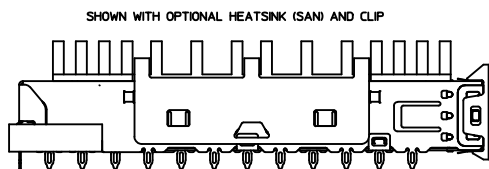
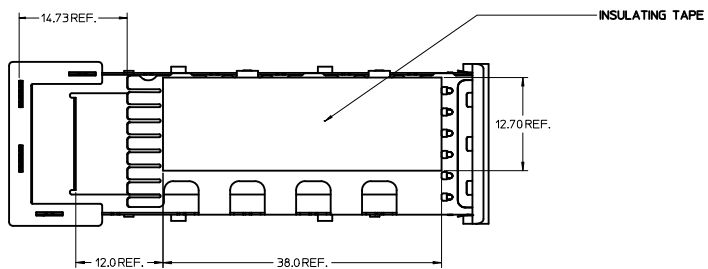
DATE	REV	DESCRIPTION
2010/11/03	A	1. INITIAL RELEASE

<b>INITIAL RELEASE</b> IEC NO. USY2011-0313 DRAWN BY: JERWIN 2010/11/03 CHECKED BY: CHIRSCHY 2010/11/03 APPROVED BY: RMAHMOOD 2010/11/09	QUALITY SYMBOLS ◀=0 ▽=0	GENERAL TOLERANCES (UNLESS SPECIFIED) <table border="1"> <thead> <tr> <th></th> <th>mm</th> <th>INCH</th> </tr> </thead> <tbody> <tr> <td>4 PLACES</td> <td>± .005</td> <td>± .0005</td> </tr> <tr> <td>3 PLACES</td> <td>± .010</td> <td>± .0010</td> </tr> <tr> <td>2 PLACES</td> <td>± 0.10</td> <td>± .0040</td> </tr> <tr> <td>1 PLACE</td> <td>± 0.25</td> <td>± .0100</td> </tr> </tbody> </table> ANGULAR ± 1°		mm	INCH	4 PLACES	± .005	± .0005	3 PLACES	± .010	± .0010	2 PLACES	± 0.10	± .0040	1 PLACE	± 0.25	± .0100	DIMENSION STYLE <b>MM ONLY</b>	SCALE <b>1:1</b>	DESIGN UNITS <b>METRIC</b>	THIRD ANGLE PROJECTION 
		mm	INCH																		
	4 PLACES	± .005	± .0005																		
	3 PLACES	± .010	± .0010																		
2 PLACES	± 0.10	± .0040																			
1 PLACE	± 0.25	± .0100																			
DRAWN BY: JERWIN 2010/11/03 CHECKED BY: CHIRSCHY 2010/11/03 APPROVED BY: RMAHMOOD 2010/11/09	DATE: 2010/11/03 DATE: 2010/11/03 DATE: 2010/11/09	TITLE <b>XFP CAGE ASSEMBLY W/ INSULATING TAPE</b>	MATERIAL NO. <b>747360452</b>	DOCUMENT NO. <b>SD-74736-0452</b>	SHEET NO. <b>3 OF 3</b>																
DRAFT WHERE APPLICABLE MUST REMAIN WITHIN DIMENSIONS							THIS DRAWING CONTAINS INFORMATION THAT IS PROPRIETARY TO MOLEX INCORPORATED AND SHOULD NOT BE USED WITHOUT WRITTEN PERMISSION														
MOLEX INCORPORATED																					

19 18 17 16 15 14 13 12 11 10 9 8 7 6 5 4 3 2 1



DETAIL 1  
SCALE 8:1



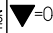
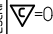


1. PRESS FIT LEGS 2.28mm [0.090"]
2. SINGLE SIDED BOARD THICKNESS  
 NOMINAL: 1.60 [0.062"]  
 MINIMUM: 1.44 [0.057"]  
 BELLY TO BELLY BOARD THICKNESS  
 NOMINAL: 2.30 [0.090"]  
 MINIMUM: 2.07 [0.081"]
3. REFERENCE DOCUMENTS:  
 PRODUCT SPECIFICATION: XFP MSA
4. THIS PRODUCT MEETS THE RESTRICTION OF HAZARDOUS SUBSTANCES IN ELECTRICAL AND ELECTRONIC EQUIPMENT (RoHS) DIRECTIVE (2009/95/EC).

INITIAL RELEASE EC NO: USY2011-0313 DRAWN: JERWIN 2010/11/03 CHECKED: CHRISCHY 2010/11/03 APPROVED: RMAHMOOD 2010/11/09	QUALITY SYMBOLS ▽=0 ▽=0	GENERAL TOLERANCES (UNLESS SPECIFIED)		DIMENSION STYLE MM ONLY		SCALE 3:1	DESIGN UNITS METRIC	THIRD ANGLE PROJECTION		
		4 PLACES ±.005 ±.005	3 PLACES ±.005 ±.005	2 PLACES ±0.10 ±.005	1 PLACE ±0.25 ±.005	DRAWN BY JERWIN 2010/11/03	DATE 2010/11/03	TITLE XFP CAGE ASSEMBLY W/ INSULATING TAPE		
		ANGULAR ± 1°				APPROVED BY RMAHMOOD 2010/11/09	DATE 2010/11/09	MOLEX INCORPORATED		
		DRAFT WHERE APPLICABLE MUST REMAIN WITHIN DIMENSIONS				MATERIAL NO. 747360452	DOCUMENT NO. SD-74736-0452	SHEET NO. 1 OF 3		

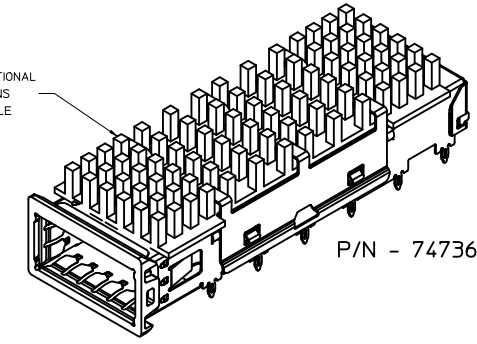
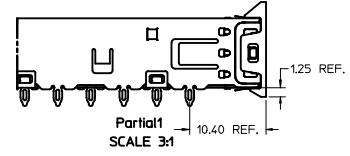
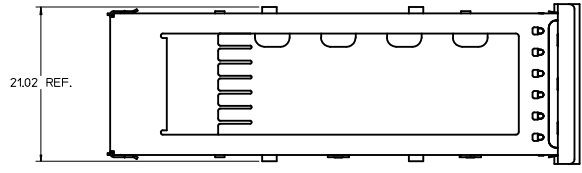


20 19 18 17 16 15 14 13 12 11 10 9 8 7 6 5 4 3 2 1

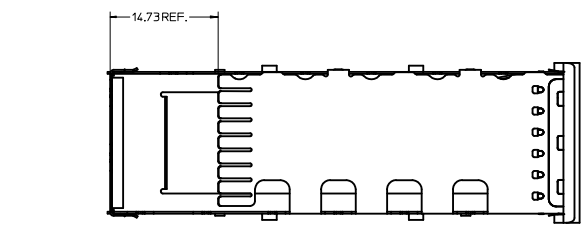
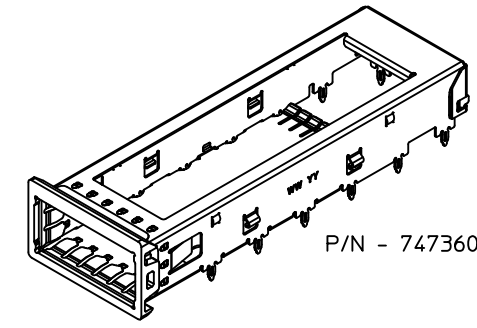
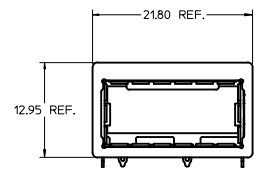
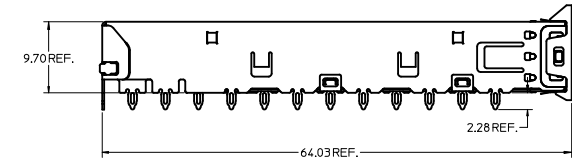
DATE	REV	DESCRIPTION
2010/11/03	A	1. INITIAL RELEASE

<b>INITIAL RELEASE</b> IEC NO. USY2011-0313 DRAWN BY: JERWIN 2010/11/03 CHECKED BY: CHIRSCHY 2010/11/03 APPROVED BY: RAHMOOD 2010/11/09	QUALITY SYMBOLS  = 0  = 0	GENERAL TOLERANCES (UNLESS SPECIFIED) <table border="1"> <thead> <tr> <th></th> <th>mm</th> <th>INCH</th> </tr> </thead> <tbody> <tr> <td>4 PLACES</td> <td>± .005</td> <td>± .0005</td> </tr> <tr> <td>3 PLACES</td> <td>± .002</td> <td>± .0002</td> </tr> <tr> <td>2 PLACES</td> <td>± 0.10</td> <td>± .004</td> </tr> <tr> <td>1 PLACE</td> <td>± 0.25</td> <td>± .010</td> </tr> </tbody> </table> ANGULAR ± 1°		mm	INCH	4 PLACES	± .005	± .0005	3 PLACES	± .002	± .0002	2 PLACES	± 0.10	± .004	1 PLACE	± 0.25	± .010	DIMENSION STYLE <b>MM ONLY</b>	SCALE <b>1:1</b>	DESIGN UNITS <b>METRIC</b>	 THIRD ANGLE PROJECTION
		mm	INCH																		
	4 PLACES	± .005	± .0005																		
	3 PLACES	± .002	± .0002																		
2 PLACES	± 0.10	± .004																			
1 PLACE	± 0.25	± .010																			
DRAWN BY: JERWIN 2010/11/03 CHECKED BY: CHIRSCHY 2010/11/03 APPROVED BY: RAHMOOD 2010/11/09	DATE: 2010/11/03 DATE: 2010/11/03 DATE: 2010/11/09	TITLE <b>XFP CAGE ASSEMBLY W/ INSULATING TAPE</b>	MATERIAL NO. <b>747360452</b>	DOCUMENT NO. <b>SD-74736-0452</b>	SHEET NO. <b>3 OF 3</b>	 <b>MOLEX INCORPORATED</b>															
DRAFT WHERE APPLICABLE MUST REMAIN WITHIN DIMENSIONS						THIS DRAWING CONTAINS INFORMATION THAT IS PROPRIETARY TO MOLEX INCORPORATED AND SHOULD NOT BE USED WITHOUT WRITTEN PERMISSION															
SIZE <b>D</b>																					

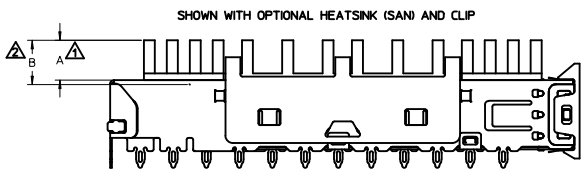
19 18 17 16 15 14 13 12 11 10 9 8 7 6 5 4 3 2 1



HEATSINK AND CLIP ARE OPTIONAL  
SEE CHART FOR HEATSINK OPTIONS  
CUSTOM HEATSINKS ARE AVAILABLE



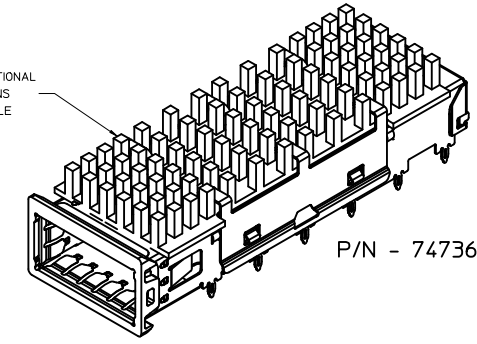
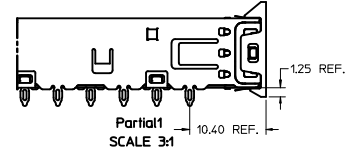
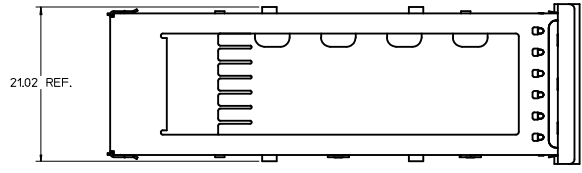
PART NUMBER FOR XFP CAGE ASSEMBLY & PARTS (W/OUT ELASTOMER EMI GASKET)					
P/N	DIM A	DIM B	DESCRIPTION	POWER LEVEL	THERMAL RESISTANCE @200 LFM
747360210	N/A	N/A	XFP CAGE WITH NO HEATSINK OR CLIP	N/A	N/A
747360211	4.0	4.2	XFP CAGE WITH PCI HEATSINK	UP TO 1.5W	<18.0 C/W
747360212	6.3	6.5	XFP CAGE WITH SAN HEATSINK (SHOWN)	UP TO 2.5W	<11.5 C/W
747360213	13.3	13.5	XFP CAGE WITH TALL HEATSINK	UP TO 3.5W	<8.0 C/W
747360230	N/A	N/A	HEATSINK CLIP ONLY	N/A	N/A
747360240	N/A	N/A	PCI HEATSINK ONLY	UP TO 1.5W	<18.0 C/W
747360241	N/A	N/A <td SAN HEATSINK ONLY	UP TO 2.5W	<11.5 C/W	
747360242	N/A	N/A	TALL HEATSINK ONLY	UP TO 3.5W	<8.0 C/W



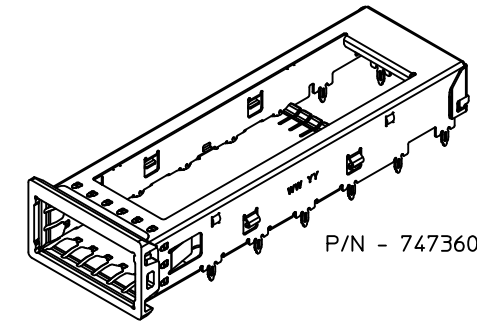
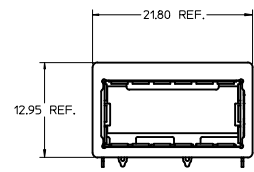
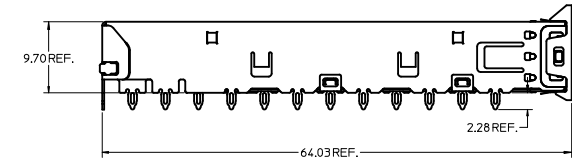
- ▲ MAXIMUM HEIGHT OF HEATSINK WITH MODULE INSERTED
- ▲ OVERALL HEIGHT OF HEATSINK
- 3. OTHER HEATSINK DESIGNS ARE AVAILABLE INCLUDING CUSTOM DESIGNS

<b>ADDED NOTE PG 2</b> EC NO: USY2011-0301 DRAWN BY: ERWIN 2010/06/07 CHECKED BY: CHYKCHIRSHY 2010/10/13 APPROVED BY: RAHMOOD 2010/11/23	QUALITY SYMBOLS ▽=0 ▽=0	GENERAL TOLERANCES (UNLESS SPECIFIED) <table border="1"> <tr> <th></th> <th>mm</th> <th>INCH</th> </tr> <tr> <td>4 PLACES</td> <td>±.00</td> <td>±.00</td> </tr> <tr> <td>3 PLACES</td> <td>±.01</td> <td>±.00</td> </tr> <tr> <td>2 PLACES</td> <td>±.02</td> <td>±.00</td> </tr> <tr> <td>1 PLACE</td> <td>±.05</td> <td>±.00</td> </tr> </table> ANGULAR ± 1°		mm	INCH	4 PLACES	±.00	±.00	3 PLACES	±.01	±.00	2 PLACES	±.02	±.00	1 PLACE	±.05	±.00	DIMENSION STYLE <b>MM ONLY</b>	SCALE <b>3:1</b>	DESIGN UNITS <b>METRIC</b>	THIRD ANGLE PROJECTION
		mm	INCH																		
	4 PLACES	±.00	±.00																		
	3 PLACES	±.01	±.00																		
2 PLACES	±.02	±.00																			
1 PLACE	±.05	±.00																			
DRAWN BY: KLOYD 2004/12/02 CHECKED BY: BRUSSELL 2004/12/02 APPROVED BY: RAHMOOD 2010/11/23	DRAFT WHERE APPLICABLE MUST REMAIN WITHIN DIMENSIONS		SEE CHART	MATERIAL NO. SD-74736-210	MOLEX INCORPORATED	TITLE <b>XFP CAGE ASSEMBLY WITHOUT ELASTOMER EMI GASKET</b>															
REV: B	SIZE: D	THIS DRAWING CONTAINS INFORMATION THAT IS PROPRIETARY TO MOLEX INCORPORATED AND SHOULD NOT BE USED WITHOUT WRITTEN PERMISSION		DOCUMENT NO.	SHEET NO. 1 OF 2	MOLEX INCORPORATED															

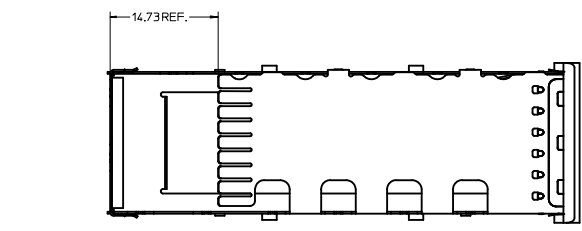




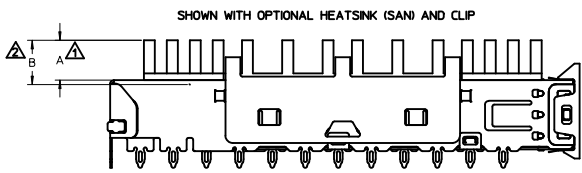
P/N - 747360212



P/N - 747360210



PART NUMBER FOR XFP CAGE ASSEMBLY & PARTS (W/OUT ELASTOMER EMI GASKET)					
P/N	DIM A	DIM B	DESCRIPTION	POWER LEVEL	THERMAL RESISTANCE @200 LFM
747360210	N/A	N/A	XFP CAGE WITH NO HEATSINK OR CLIP	N/A	N/A
747360211	4.0	4.2	XFP CAGE WITH PCI HEATSINK	UP TO 1.5W	<18.0 C/W
747360212	6.3	6.5	XFP CAGE WITH SAN HEATSINK (SHOWN)	UP TO 2.5W	<11.5 C/W
747360213	13.3	13.5	XFP CAGE WITH TALL HEATSINK	UP TO 3.5W	<8.0 C/W
747360230	N/A	N/A	HEATSINK CLIP ONLY	N/A	N/A
747360240	N/A	N/A	PCI HEATSINK ONLY	UP TO 1.5W	<18.0 C/W
747360241	N/A	N/A	SAN HEATSINK ONLY	UP TO 2.5W	<11.5 C/W
747360242	N/A	N/A	TALL HEATSINK ONLY	UP TO 3.5W	<8.0 C/W

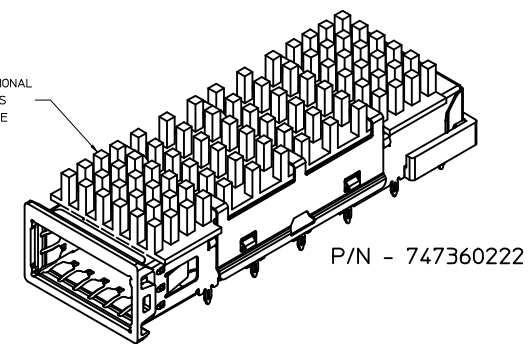
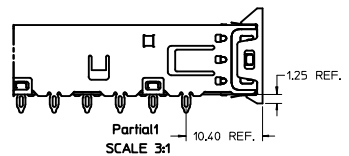
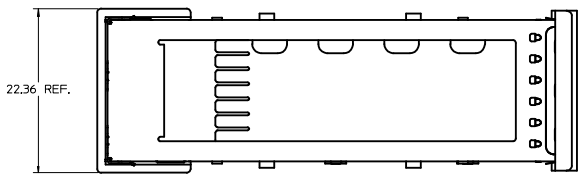


- ▲ MAXIMUM HEIGHT OF HEATSINK WITH MODULE INSERTED
- ▲ OVERALL HEIGHT OF HEATSINK
- 3. OTHER HEATSINK DESIGNS ARE AVAILABLE INCLUDING CUSTOM DESIGNS

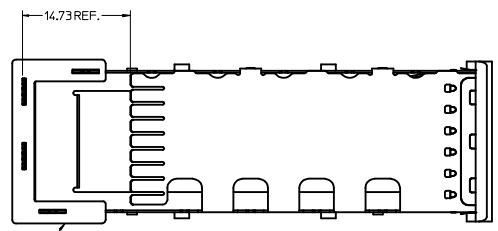
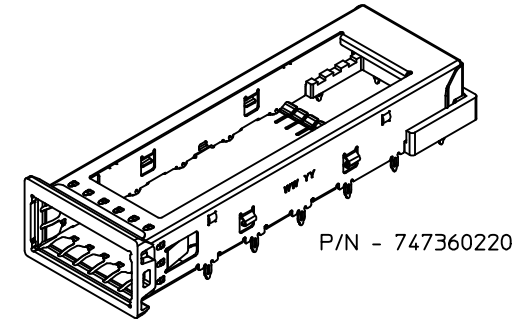
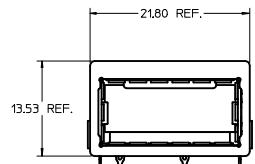
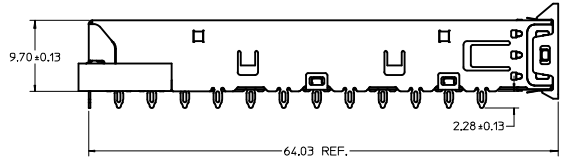
<b>ADDED NOTE PG 2</b> EC NO: USY2011-0301 DRAWN BY: ERWIN 2010/06/07 CHECKED BY: CHYKCHIRSHY 2010/10/13 APPROVED BY: RAHMOOD 2010/11/23	QUALITY SYMBOLS ▽=0 ▽=0	GENERAL TOLERANCES (UNLESS SPECIFIED) mm INCH 4 PLACES ±.004 ±.0005 3 PLACES ±.005 ±.0006 2 PLACES ±.010 ±.0015 1 PLACE ±.025 ±.0030 ANGULAR ± 1°	DIMENSION STYLE MM ONLY	SCALE 3:1	DESIGN UNITS METRIC	THIRD ANGLE PROJECTION	
	DRAWN BY: KLOYD 2004/12/02 CHECKED BY: BRUSSELL 2004/12/02 APPROVED BY: RAHMOOD 2010/11/23	DATE: 2004/12/02 DATE: 2004/12/02 DATE: 2010/11/23	TITLE XFP CAGE ASSEMBLY WITHOUT ELASTOMER EMI GASKET	MATERIAL NO. SEE CHART	DOCUMENT NO. SD-74736-210	MOLEX INCORPORATED	SHEET NO. 1 OF 2
	DRAFT WHERE APPLICABLE MUST REMAIN WITHIN DIMENSIONS						
	THIS DRAWING CONTAINS INFORMATION THAT IS PROPRIETARY TO MOLEX INCORPORATED AND SHOULD NOT BE USED WITHOUT WRITTEN PERMISSION						





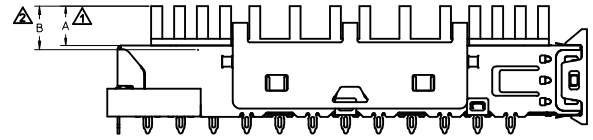


HEATSINK SINK AND CLIP ARE OPTIONAL  
SEE CHART FOR HEATSINK OPTIONS  
CUSTOM HEATSINKS ARE AVAILABLE



COMPLIANT EMI GASKET  
(DARK COLORED)

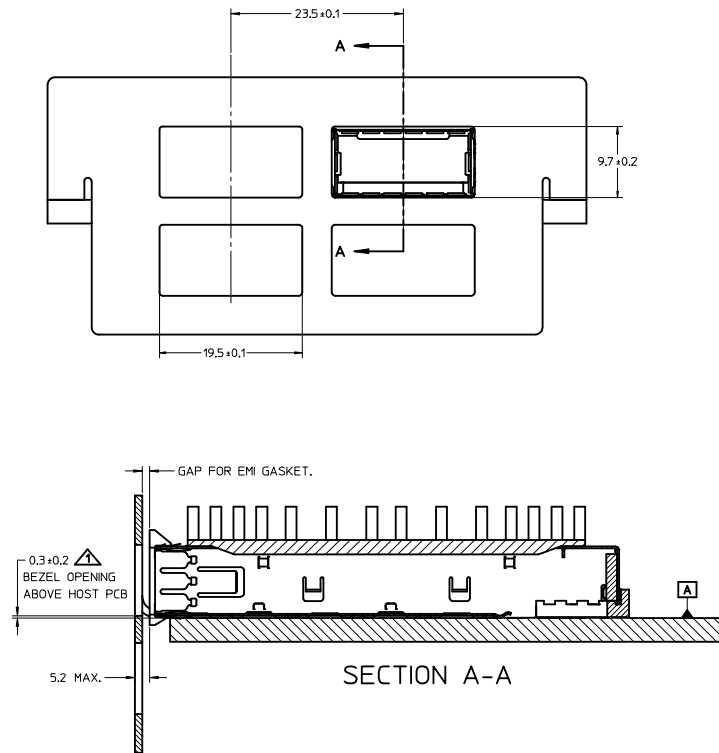
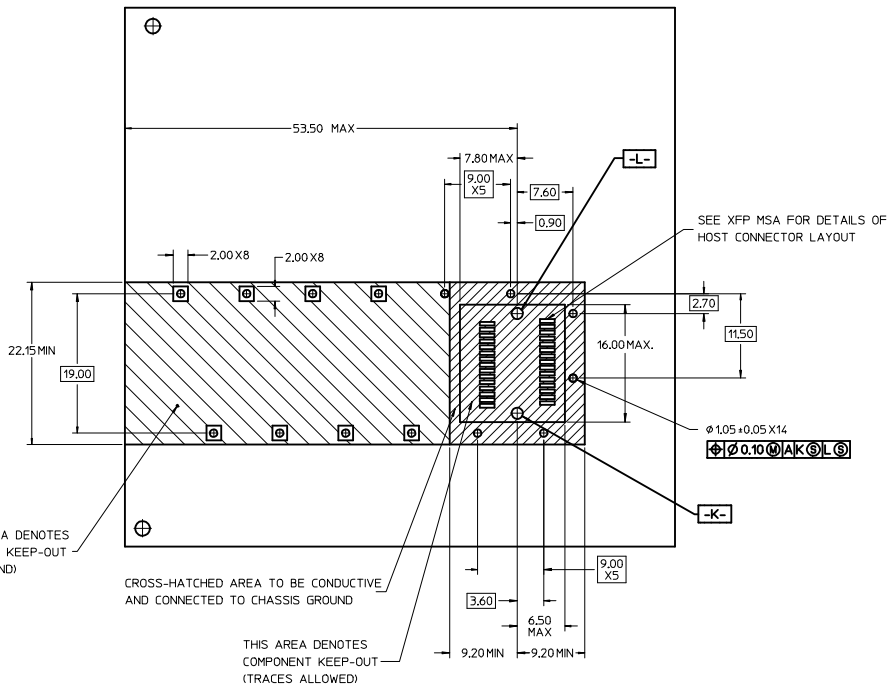
SHOWN WITH OPTIONAL HEATSINK (SAN) AND CLIP



- ▲ MAXIMUM HEIGHT OF HEATSINK WITH MODULE INSERTED
- ▲ OVERALL HEIGHT OF HEATSINK
- 3. OTHER HEATSINK DESIGNS ARE AVAILABLE INCLUDING CUSTOM DESIGNS

PART NUMBER FOR XFP CAGE ASSEMBLY & PARTS					
P/N	DIM A	DIM B	DESCRIPTION	POWER LEVEL	THERMAL RESISTANCE @200 LFM
747360220	N/A	N/A	XFP CAGE WITH NO HEATSINK OR CLIP	N/A	N/A
747360221	4.0	4.2	XFP CAGE WITH PCI HEATSINK	UP TO 1.5W	<18.0 C/W
747360222	6.3	6.5	XFP CAGE WITH SAN HEATSINK (SHOWN)	UP TO 2.5W	<11.5 C/W
747360223	13.3	13.5	XFP CAGE WITH TALL HEATSINK	UP TO 3.5W	<8.0 C/W
747360230	N/A	N/A	HEATSINK CLIP ONLY	N/A	N/A
747360240	N/A	N/A	PCI HEATSINK ONLY	UP TO 1.5W	<18.0 C/W
747360241	N/A	N/A	SAN HEATSINK ONLY	UP TO 2.5W	<11.5 C/W
747360242	N/A	N/A	TALL HEATSINK ONLY	UP TO 3.5W	<8.0 C/W

<b>SEE REVISION TABLE</b> IEC NO: CPG2016-1906 DRAWN BY: DRWNEWANG07 CHECKED BY: CHKDRCHEN08 APPROVED BY: APPRDRCHEN08 DATE: 2015/11/05 DATE: 2015/11/05 DATE: 2015/11/05	QUALITY SYMBOLS ▽=0 ▽=0 ▽=0	GENERAL TOLERANCES (UNLESS SPECIFIED) mm INCH 4 PLACES ± --- ± --- 3 PLACES ± --- ± --- 2 PLACES ± 0.10 ± --- 1 PLACE ± 0.25 ± --- 0 PLACE ± ±	DIMENSION STYLE MM ONLY DRAWN BY: DATE KLOYD 2004/05/14 CHECKED BY: DATE BRUSSELL 2004/08/05 APPROVED BY: DATE RMAHMOOD 2010/11/09	SCALE 3:1 DESIGN UNITS METRIC THIRD ANGLE PROJECTION	TITLE XFP CAGE ASSEMBLY
	DRAFT WHERE APPLICABLE MUST REMAIN WITHIN DIMENSIONS		MATERIAL NO. SEE CHART	DOCUMENT NO. SD-74736-220	SHEET NO. 1 OF 3
	THIS DRAWING CONTAINS INFORMATION THAT IS PROPRIETARY TO MOLEX INCORPORATED AND SHOULD NOT BE USED WITHOUT WRITTEN PERMISSION				



CROSSED-HATCHED AREA DENOTES COMPONENT AND TRACE KEEP-OUT (EXCEPT CHASSIS GROUND)

CROSS-HATCHED AREA TO BE CONDUCTIVE AND CONNECTED TO CHASSIS GROUND

THIS AREA DENOTES COMPONENT KEEP-OUT (TRACES ALLOWED)

▲ FOR PCI APPLICATIONS RECOMMENDED DIMENSION IS 0.4 ± 0.1

SEE REVISION TABLE		QUALITY SYMBOLS	GENERAL TOLERANCES (UNLESS SPECIFIED)		DIMENSION STYLE		SCALE	DESIGN UNITS	THIRD ANGLE PROJECTION	
EC NO.	DATE		mm	INCH	MM ONLY	3:1	METRIC			
DRWNER007	2015/11/05	▽=0	4 PLACES ±	±	DRAWN BY	DATE	TITLE			
CHKRCHEN08	2015/11/05	▽=0	3 PLACES ±	±	KLLOYD	2004/05/14	XFP CAGE ASSEMBLY			
APPRRCHEN08	2015/11/05	▽=0	2 PLACES ±	±0.10	CHECKED BY	DATE				
		▽=0	1 PLACE ±	±0.25	BRUSSELL	2004/08/05				
			0 PLACE ±	±	APPROVED BY	DATE				
					RYAHMOOD	2010/11/09				
		ANGULAR ± 1 °		MATERIAL NO.		DOCUMENT NO.				
		DRAFT WHERE APPLICABLE MUST REMAIN WITHIN DIMENSIONS		SEE SHEET 1		SD-74736-220		SHEET NO. 2 OF 3		
<p>THIS DRAWING CONTAINS INFORMATION THAT IS PROPRIETARY TO MOLEX INCORPORATED AND SHOULD NOT BE USED WITHOUT WRITTEN PERMISSION</p>										

20 19 18 17 16 15 14 13 12 11 10 9 8 7 6 5 4 3 2 1

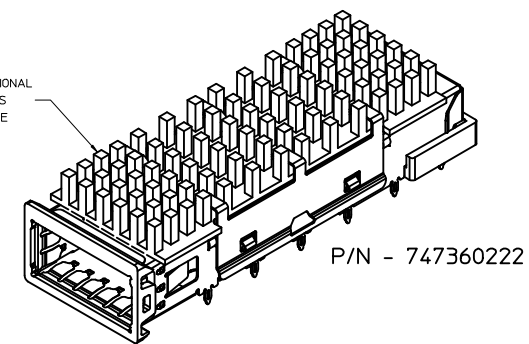
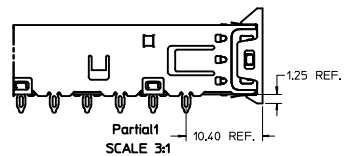
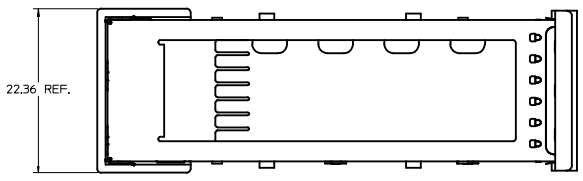
DATE	REV	DESCRIPTION
2015/11/05	G	SHEET 1: H15: CHANGED DIM 2.28 REF. TO DIM 2.28 +/-0.13. H19: CHANGED DIM 9.70 REF. TO DIM 9.70 +/-0.13.

<b>SEE REVISION TABLE</b> IEC NO: CPG2016-1906 G DRAWN: WANG07 2015/11/05 CHYKOR: CHEN08 2015/11/05 APPR: RCHEN08 2015/11/05	QUALITY SYMBOLS ▽=0 ▽=0 ▽=0	GENERAL TOLERANCES (UNLESS SPECIFIED)		DIMENSION STYLE <b>MM ONLY</b>	SCALE <b>1:1</b>	DESIGN UNITS <b>METRIC</b>	THIRD ANGLE PROJECTION 
		4 PLACES ± mm INCH 3 PLACES ± --- ± --- 2 PLACES ± 0.10 ± --- 1 PLACE ± 0.25 ± --- 0 PLACE ± ±	DRAWN BY KLLOYD	DATE 2004/05/14	TITLE <b>XFP CAGE ASSEMBLY</b>		
		ANGULAR ± 1 ° DRAFT WHERE APPLICABLE MUST REMAIN WITHIN DIMENSIONS	CHECKED BY BRUSSELL	DATE 2004/08/05	APPROVED BY RMAHMOOD		
		MATERIAL NO. <b>SEE SHEET 1</b>	DATE 2010/11/09	DOCUMENT NO. <b>SD-74736-220</b>	SHEET NO. 3 OF 3		

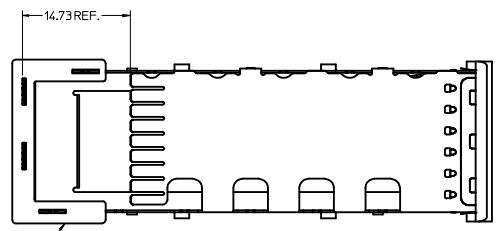
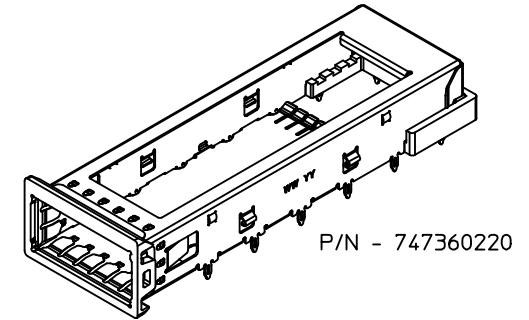
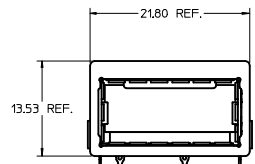
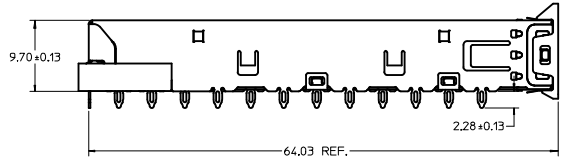
**molex**

THIS DRAWING CONTAINS INFORMATION THAT IS PROPRIETARY TO MOLEX INCORPORATED AND SHOULD NOT BE USED WITHOUT WRITTEN PERMISSION

19 18 17 16 15 14 13 12 11 10 9 8 7 6 5 4 3 2 1

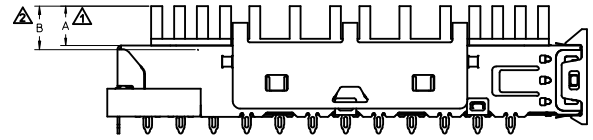


HEATSINK SINK AND CLIP ARE OPTIONAL  
SEE CHART FOR HEATSINK OPTIONS  
CUSTOM HEATSINKS ARE AVAILABLE



COMPLIANT EMI GASKET  
(DARK COLORED)

SHOWN WITH OPTIONAL HEATSINK (SAN) AND CLIP



- ▲ MAXIMUM HEIGHT OF HEATSINK WITH MODULE INSERTED
- ▲ OVERALL HEIGHT OF HEATSINK
- 3. OTHER HEATSINK DESIGNS ARE AVAILABLE INCLUDING CUSTOM DESIGNS

PART NUMBER FOR XFP CAGE ASSEMBLY & PARTS					
P/N	DIM A	DIM B	DESCRIPTION	POWER LEVEL	THERMAL RESISTANCE @200 LFM
747360220	N/A	N/A	XFP CAGE WITH NO HEATSINK OR CLIP	N/A	N/A
747360221	4.0	4.2	XFP CAGE WITH PCI HEATSINK	UP TO 1.5W	<18.0 C/W
747360222	6.3	6.5	XFP CAGE WITH SAN HEATSINK (SHOWN)	UP TO 2.5W	<11.5 C/W
747360223	13.3	13.5	XFP CAGE WITH TALL HEATSINK	UP TO 3.5W	<8.0 C/W
747360230	N/A	N/A	HEATSINK CLIP ONLY	N/A	N/A
747360240	N/A	N/A	PCI HEATSINK ONLY	UP TO 1.5W	<18.0 C/W
747360241	N/A	N/A	SAN HEATSINK ONLY	UP TO 2.5W	<11.5 C/W
747360242	N/A	N/A	TALL HEATSINK ONLY	UP TO 3.5W	<8.0 C/W

<b>SEE REVISION TABLE</b> IEC NO: CPG2016-1906 DRAWN BY: DRWNEWANG07 CHECKED BY: CHKDRCHEN08 APPROVED BY: APPRDRCHEN08 DATE: 2015/11/05 DATE: 2015/11/05 DATE: 2015/11/05	<b>QUALITY SYMBOLS</b> ∇=0 ∇=0 ∇=0	<b>GENERAL TOLERANCES (UNLESS SPECIFIED)</b> mm INCH 4 PLACES ± --- ± --- 3 PLACES ± --- ± --- 2 PLACES ± 0.10 ± --- 1 PLACE ± 0.25 ± --- 0 PLACE ± ± ANGULAR ± 1 ° DRAFT WHERE APPLICABLE MUST REMAIN WITHIN DIMENSIONS	<b>DIMENSION STYLE</b> MM ONLY DRAWN BY: DATE: KLLLOYD 2004/05/14 CHECKED BY: DATE: BRUSSELL 2004/08/05 APPROVED BY: DATE: RMAHMOOD 2010/11/09	SCALE: 3:1 DESIGN UNITS: METRIC THIRD ANGLE PROJECTION	TITLE: XFP CAGE ASSEMBLY			
						MATERIAL NO.	DOCUMENT NO.	SHEET NO.
						SEE CHART	SD-74736-220	1 OF 3
						THIS DRAWING CONTAINS INFORMATION THAT IS PROPRIETARY TO MOLEX INCORPORATED AND SHOULD NOT BE USED WITHOUT WRITTEN PERMISSION		



20 19 18 17 16 15 14 13 12 11 10 9 8 7 6 5 4 3 2 1

DATE	REV	DESCRIPTION
2015/11/05	G	SHEET 1: H15: CHANGED DIM 2.28 REF. TO DIM 2.28 +/-0.13. H19: CHANGED DIM 9.70 REF. TO DIM 9.70 +/-0.13.

<b>SEE REVISION TABLE</b> IEC NO: CPG2016-1906 G DRAWN: WANG07 2015/11/05 CHYKORCHEN08 2015/11/05 APPR: RCHEN08 2015/11/05	QUALITY SYMBOLS	GENERAL TOLERANCES (UNLESS SPECIFIED)	DIMENSION STYLE	SCALE	DESIGN UNITS	THIRD ANGLE PROJECTION	
	▽=0	4 PLACES ± mm INCH	MM ONLY	1:1	METRIC	☉	
	▽=0	3 PLACES ± 0.10					
	▽=0	2 PLACES ± 0.25					
	ANGULAR ± 1 °	DRAFT WHERE APPLICABLE MUST REMAIN WITHIN DIMENSIONS	DRAWN BY DATE	CHECKED BY DATE	TITLE		
			KLLOYD 2004/05/14	BRUSSELL 2004/08/05	XFP CAGE ASSEMBLY		
			APPROVED BY DATE	MATERIAL NO. DOCUMENT NO.			
			RAHMOOD 2010/11/09	SEE SHEET 1 SD-74736-220			
			THIS DRAWING CONTAINS INFORMATION THAT IS PROPRIETARY TO MOLEX INCORPORATED AND SHOULD NOT BE USED WITHOUT WRITTEN PERMISSION				SHEET NO. 3 OF 3



19 18 17 16 15 14 13 12 11 10 9 8 7 6 5 4 3 2 1