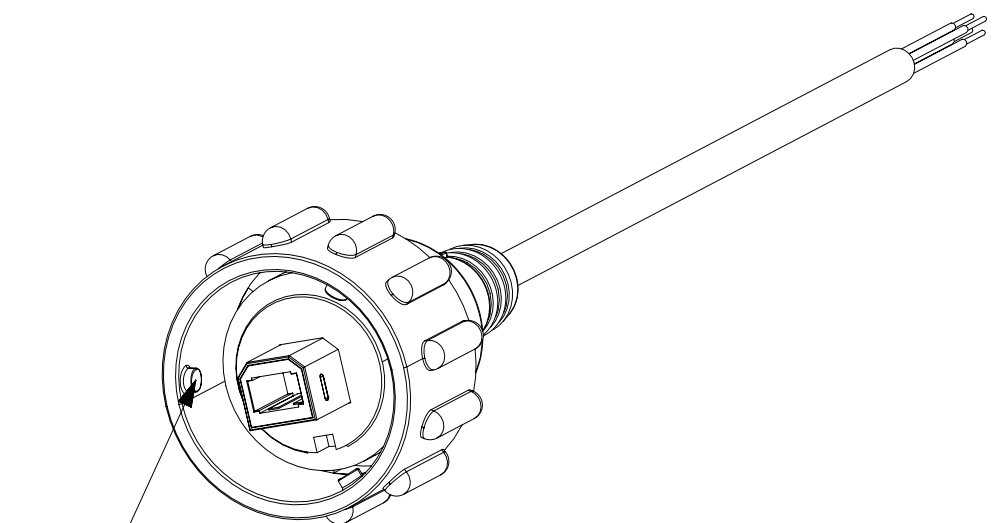
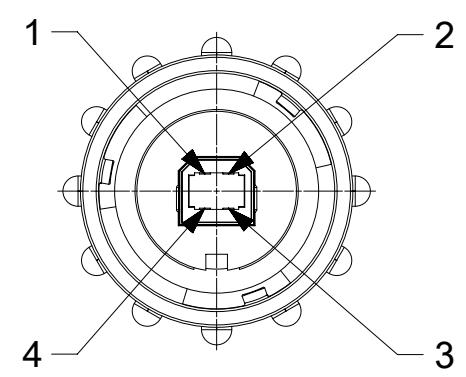
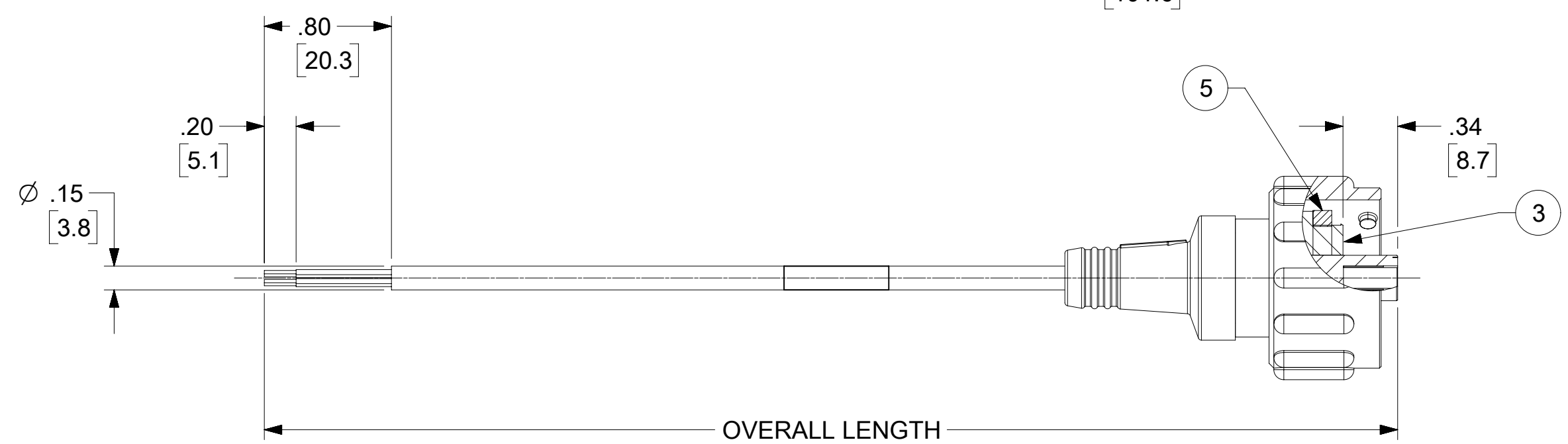
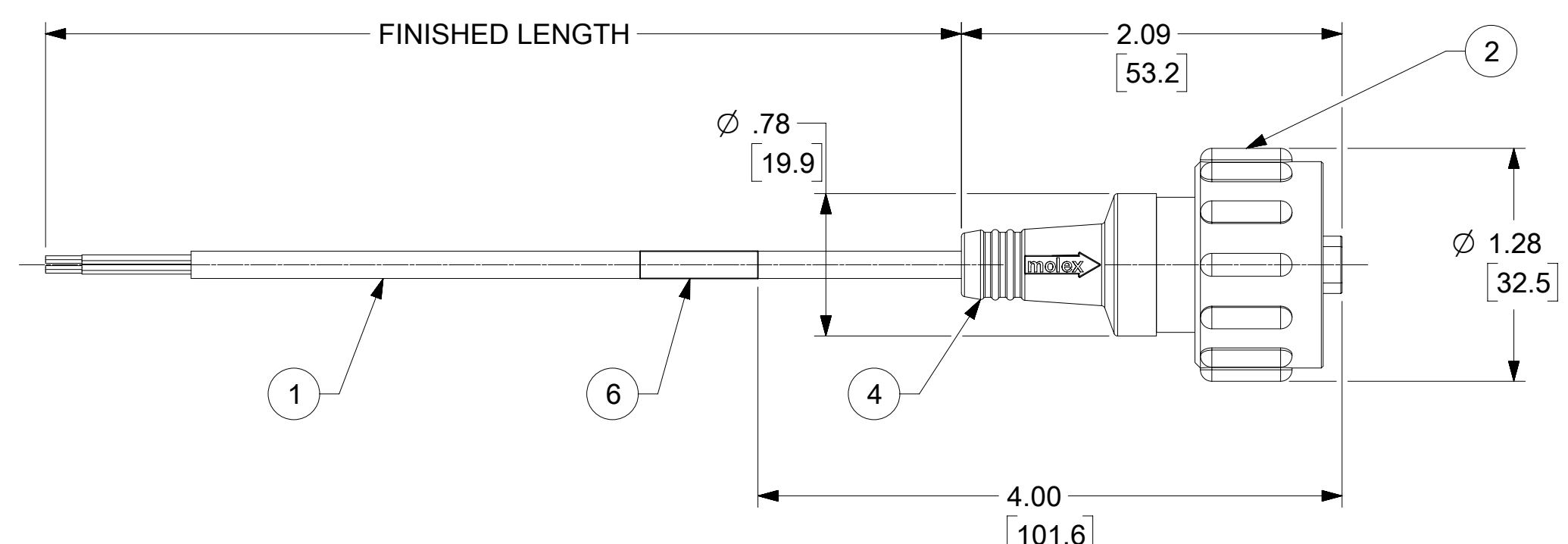


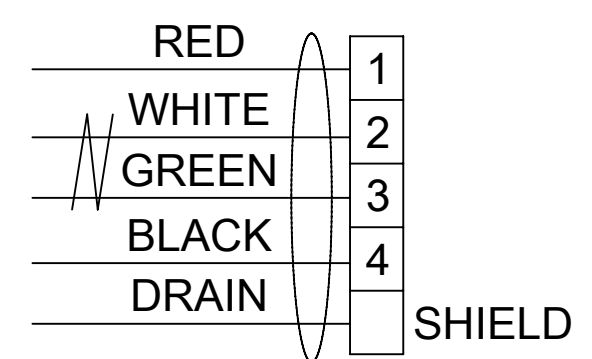
PART NO.	LENGTH	REF. OVERALL LENGTH
847281001	2.0M +44.5mm/-0 (6' 7" +1.75 IN/-0)	2.05M (6 FT 9 IN)
847281002	1.5M +31.8mm/-0 (4' 11" +1.25 IN/-0)	1.55M (5 FT 1 IN)
847281003	3.0M +63.5mm/-0 (9' 10" +2.50 IN/-0)	3.05M (10 FT 0 IN)
847281004	5.0M +101.6mm/-0 (16' 5" +4.00 IN/-0)	5.05M (16 FT 7 IN)
847281005	0.15M +25.4mm/-0 (0' 5.9" +1.00 IN/-0)	0.20M (0 FT 8 IN)



BAYONET STYLE LOCKING INTERFACE



USB-TYPE B MALE FACE VIEW



WIRE DIAGRAM

- NOTES:
1. MATERIAL: AS NOTED
  2. FINISHES: AS NOTED
  3. PACKAGING: SEALED POLY BAG WITH BARCODE LABEL
  4. PRODUCT SPEC: PS-84727-002
  5. CABLE MATERIAL: PVC JACKET, BLACK  
USB SHELL: PHOS-BRONZE, NICKEL PLATED  
CONTACTS: PHOS-BRONZE, GOLD PLATED
  6. DIMS SHOWN ARE FOR REFERENCE UNLESS NOTED OTHERWISE
  7. ASSEMBLY IS RoHS COMPLIANT

ITEM	DESCRIPTION	MATERIAL	FINISH
6	WRAP LABEL	VINYL	BLACK/YELLOW
5	GASKET SEAL	NITRILE	BLACK
4	OVERMOLD	TPC	BLACK
3	HOLDER	PBT	BLACK
2	COUPLING RING	PBT	BLACK
1	CABLE SUB-ASSY, USB TYPE B PLUG, 28 AWG, SHIELDED	AS NOTED	AS NOTED

THIS DRAWING CONTAINS INFORMATION THAT IS PROPRIETARY TO MOLEX ELECTRONIC TECHNOLOGIES, LLC AND SHOULD NOT BE USED WITHOUT WRITTEN PERMISSION

DIMENSION UNITS <b>INCH/MM</b>	SCALE <b>1:1</b>	CURRENT REV DESC: REMOVED OBSOLETE PART NUMBER AS PER PCN#509987.	<b>molex</b>		
GENERAL TOLERANCES (UNLESS SPECIFIED)		EC NO: 693623			
4 PLACES ±	MM INCH	DRWN: SANTHN 2021/09/14	PRODUCT CUSTOMER DRAWING		
3 PLACES ±		CHK'D: GGA 2022/03/30	DOCUMENT NUMBER		
2 PLACES ±		APPR: GGA 2022/03/30	DOC TYPE DOC PART REVISION		
1 PLACE ±		INITIAL REVISION:	847281001 PSD 000 B2		
0 PLACES ±		DRWN: S. GILBERT 2004/06/29	MATERIAL NUMBER CUSTOMER SHEET NUMBER		
ANGULAR TOL ± °		APPR: JFMURPHY 2009/12/15	SEE P/N CHART GENERAL MARKET 1 OF 1		
DRAFT WHERE APPLICABLE MUST REMAIN WITHIN DIMENSIONS	THIRD ANGLE PROJECTION	DRAWING C-SIZE	SERIES 84728		