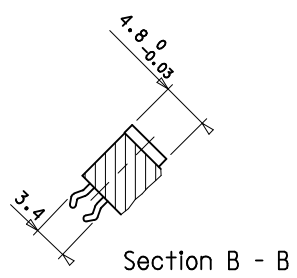
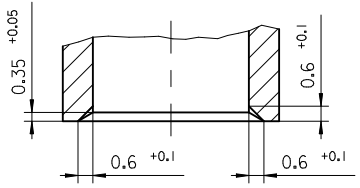
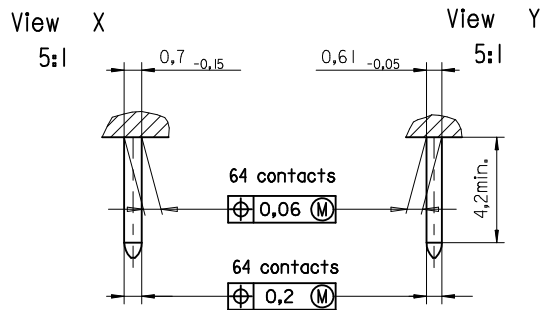
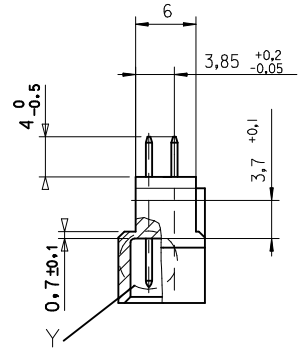
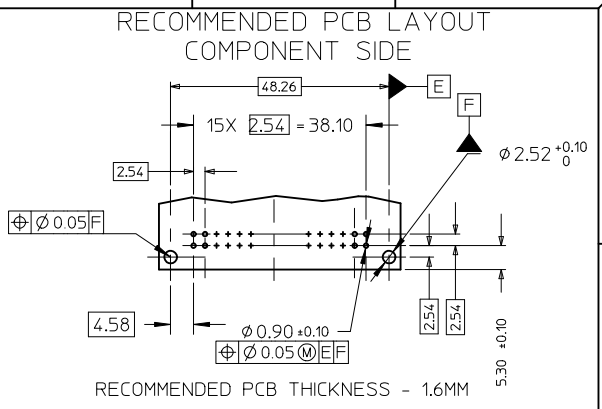
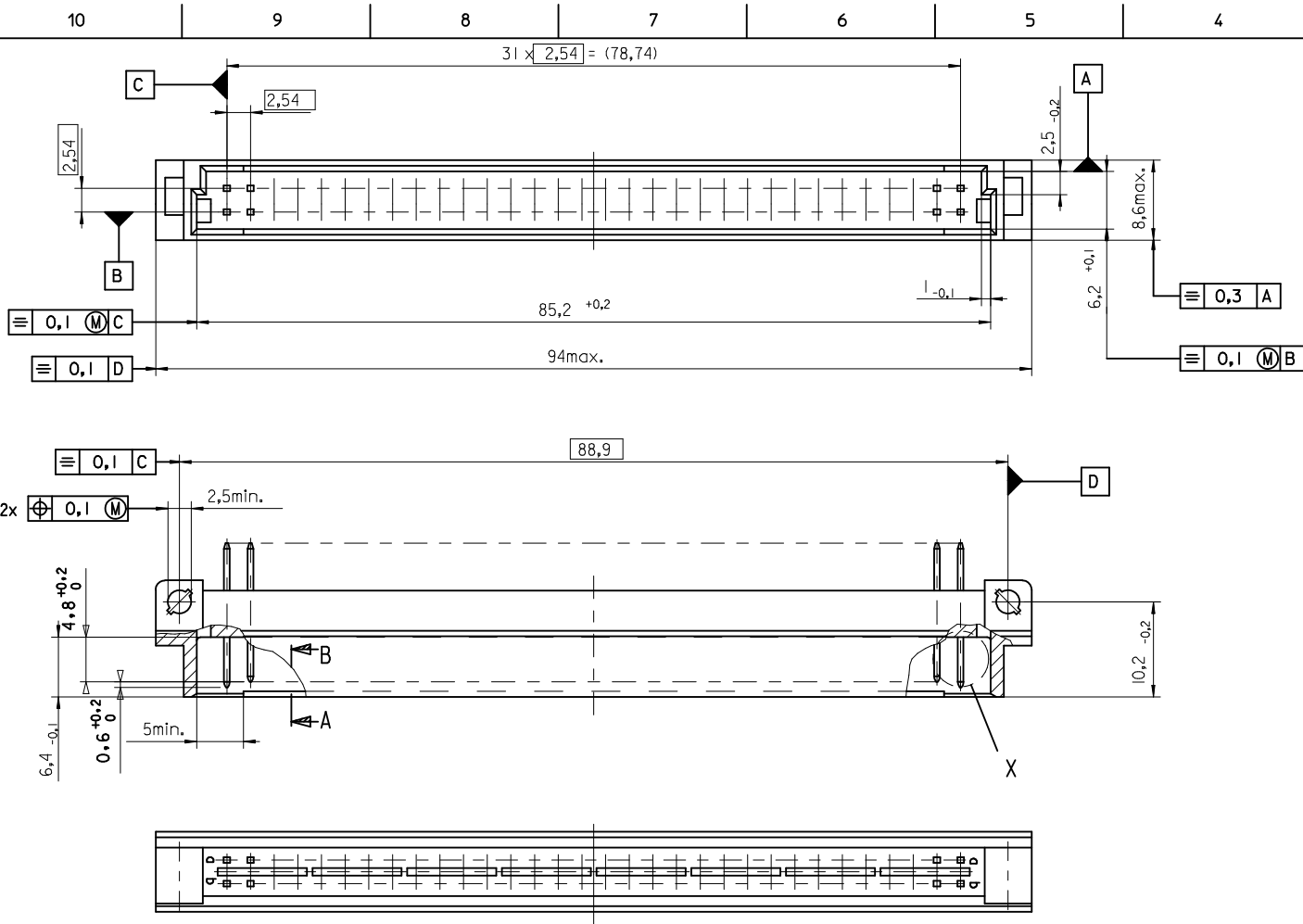


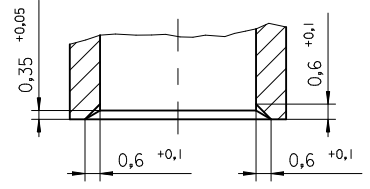
Section A - A
5:1



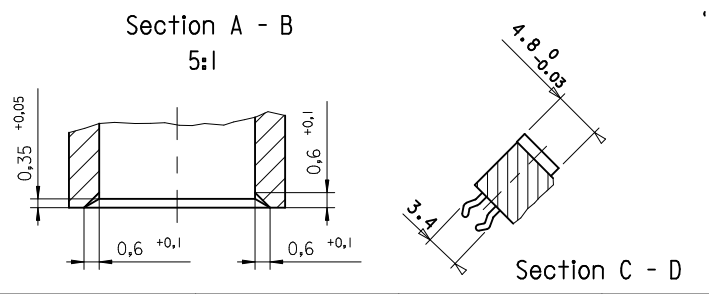
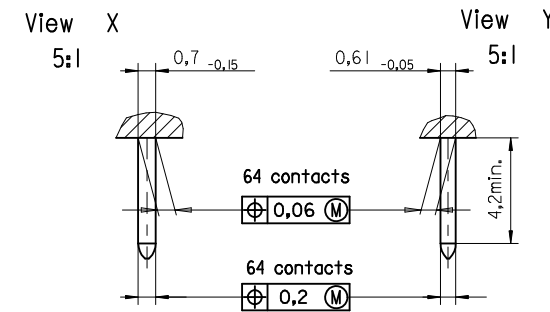
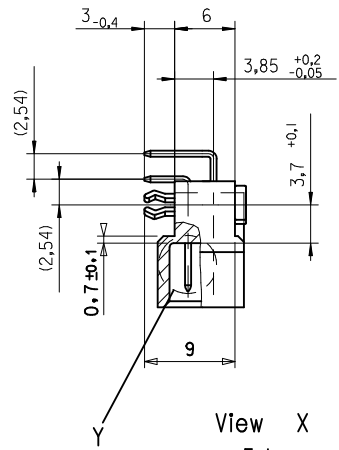
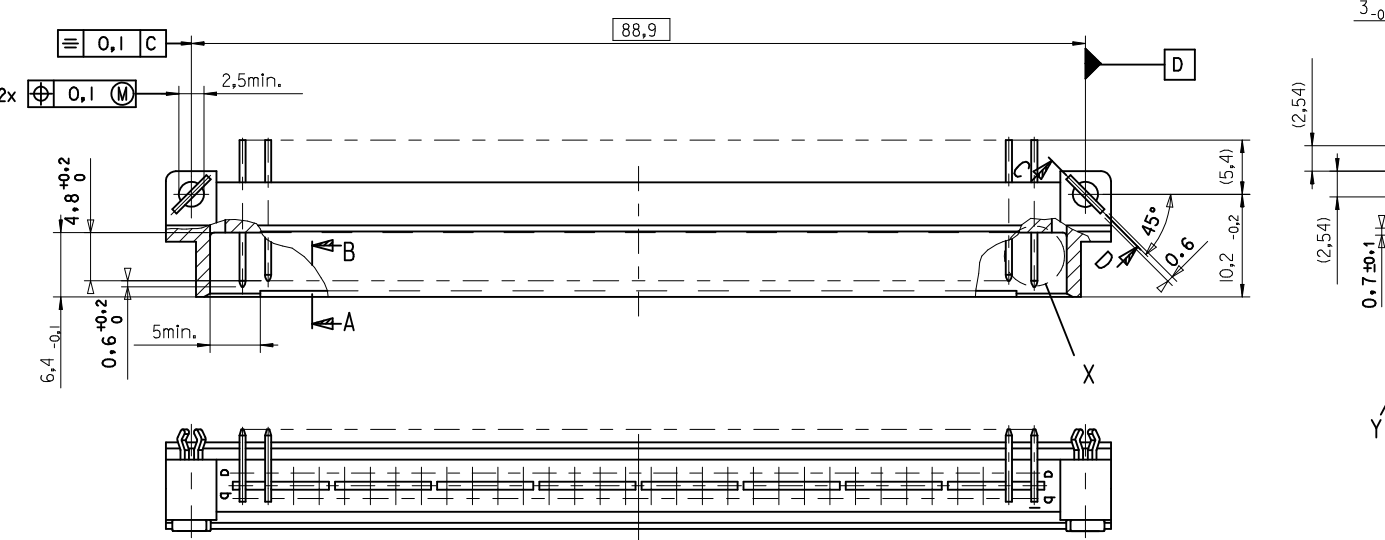
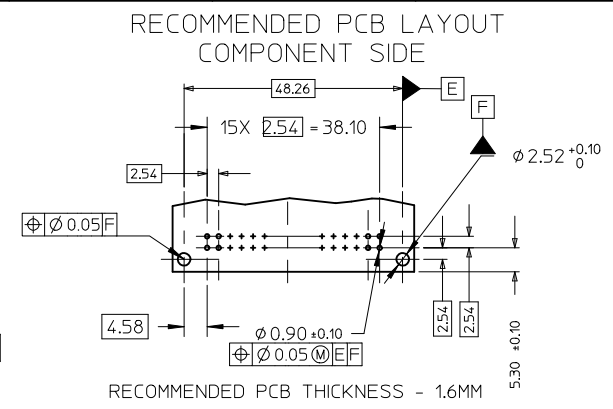
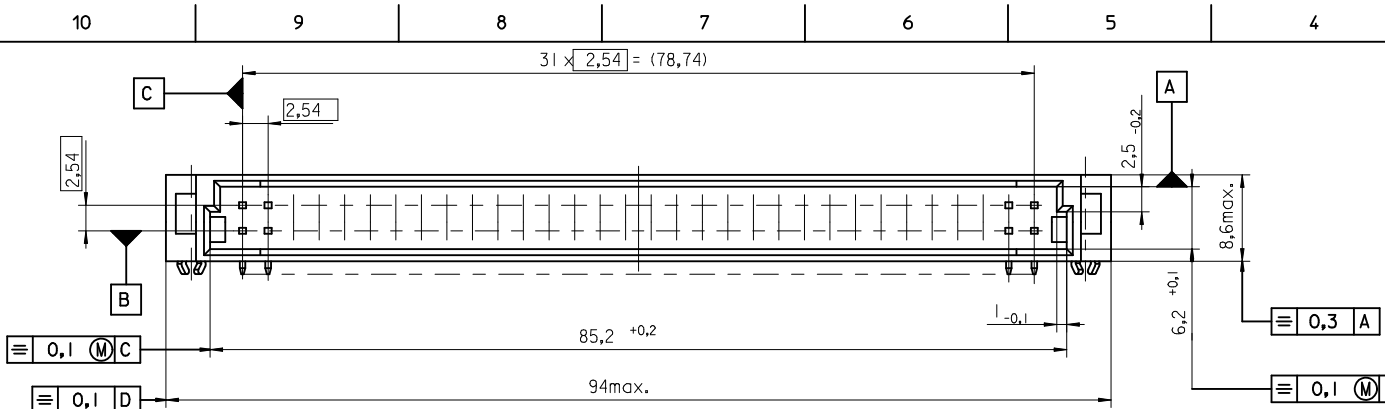
ENTER DESCRIPTION EC NO: DRWN:VUTTARKAR CHKD:KPRASAD APPR:	QUALITY SYMBOLS	GENERAL TOLERANCES (UNLESS SPECIFIED)		DIMENSION STYLE		SCALE	DESIGN UNITS	FIRST ANGLE PROJECTION	
	$\nabla_A=0$	mm	INCH	MM ONLY		1:1	METRIC		
	$\nabla_C=0$	4 PLACES	± ---	± ---	DRAWN BY	DATE	TITLE		
	$\nabla_B=0$	3 PLACES	± ---	± ---	VUTTARKAR	2011/09/23	64 POS. MALE CONNECTOR ACC. DIN 41612 STYLE B DIMENSIONS		
		2 PLACES	± ---	± ---	CHECKED BY	DATE	MOLEX INCORPORATED		
		1 PLACE	± ---	± ---	KPRASAD		DOCUMENT NO. SDA-85001-0001		
			ANGULAR ± ---°		APPROVED BY	DATE	SHEET NO. 1 OF 03		
		DRAFT WHERE APPLICABLE MUST REMAIN WITHIN DIMENSIONS			MATERIAL NO.	THIS DRAWING CONTAINS INFORMATION THAT IS PROPRIETARY TO MOLEX INCORPORATED AND SHOULD NOT BE USED WITHOUT WRITTEN PERMISSION			
		SIZE	850010036						
		A3							



Section A - B
5:1



ENTER DESCRIPTION EC NO: 2011/09/23 DRWN: VUTTARKAR CHKD: KPRASAD APPR:	QUALITY SYMBOLS $\nabla F=0$ $\nabla F=0$ $\nabla F=0$	GENERAL TOLERANCES (UNLESS SPECIFIED) <table border="1"> <tr> <td></td> <td>mm</td> <td>INCH</td> </tr> <tr> <td>4 PLACES</td> <td>± ---</td> <td>± ---</td> </tr> <tr> <td>3 PLACES</td> <td>± ---</td> <td>± ---</td> </tr> <tr> <td>2 PLACES</td> <td>± ---</td> <td>± ---</td> </tr> <tr> <td>1 PLACE</td> <td>± ---</td> <td>± ---</td> </tr> </table>		mm	INCH	4 PLACES	± ---	± ---	3 PLACES	± ---	± ---	2 PLACES	± ---	± ---	1 PLACE	± ---	± ---	DIMENSION STYLE MM ONLY DRAWN BY: VUTTARKAR DATE: 2011/09/23 CHECKED BY: KPRASAD APPROVED BY:	SCALE: 1:1 DESIGN UNITS: METRIC FIRST ANGLE PROJECTION	TITLE: 64 POS. MALE CONNECTOR ACC. DIN 41612 STYLE B DIMENSIONS MOLEX MOLEX INCORPORATED
		mm	INCH																	
	4 PLACES	± ---	± ---																	
	3 PLACES	± ---	± ---																	
2 PLACES	± ---	± ---																		
1 PLACE	± ---	± ---																		
DRAFT WHERE APPLICABLE MUST REMAIN WITHIN DIMENSIONS	MATERIAL NO.: 850010036	DOCUMENT NO.: SDA-85001-0001	SHEET NO.: 2 OF 03																	
SIZE: A3	THIS DRAWING CONTAINS INFORMATION THAT IS PROPRIETARY TO MOLEX INCORPORATED AND SHOULD NOT BE USED WITHOUT WRITTEN PERMISSION																			



ENTER DESCRIPTION EC NO: DRWN:VUTTARKAR 2011/09/23 CHYKD:KPRASAD APPR:	QUALITY SYMBOLS $\nabla_F = 0$ $\nabla_F = 0$ $\nabla_F = 0$	GENERAL TOLERANCES (UNLESS SPECIFIED) <table border="1"> <tr> <td></td> <td>mm</td> <td>INCH</td> </tr> <tr> <td>4 PLACES</td> <td>± ---</td> <td>± ---</td> </tr> <tr> <td>3 PLACES</td> <td>± ---</td> <td>± ---</td> </tr> <tr> <td>2 PLACES</td> <td>± ---</td> <td>± ---</td> </tr> <tr> <td>1 PLACE</td> <td>± ---</td> <td>± ---</td> </tr> </table>		mm	INCH	4 PLACES	± ---	± ---	3 PLACES	± ---	± ---	2 PLACES	± ---	± ---	1 PLACE	± ---	± ---	DIMENSION STYLE MM ONLY	SCALE 1:1	DESIGN UNITS METRIC	FIRST ANGLE PROJECTION
		mm	INCH																		
	4 PLACES	± ---	± ---																		
	3 PLACES	± ---	± ---																		
2 PLACES	± ---	± ---																			
1 PLACE	± ---	± ---																			
DRAFT WHERE APPLICABLE MUST REMAIN WITHIN DIMENSIONS	MATERIAL NO. 850010036	TITLE 64 POS. MALE CONNECTOR ACC. DIN 41612 STYLE B DIMENSIONS	MOLEX INCORPORATED	SHEET NO. 03 OF 03																	
SIZE A3	THIS DRAWING CONTAINS INFORMATION THAT IS PROPRIETARY TO MOLEX INCORPORATED AND SHOULD NOT BE USED WITHOUT WRITTEN PERMISSION																				

VIEW ON MATING SIDE

∞	B	B	B	B	B	B	B	B	B	B	B	B	B	B	B	B	B	B	B	B	B	B
◁	A	A	A	A	A	A	A	A	A	A	A	A	A	A	A	A	A	A	A	A	A	A

A = 32 STANDARD CONTACTS L=3

B = 32 STANDARD CONTACTS L=3

S = 64 TOTAL NUMBER OF CONTACTS

Marking	Standard
Performance level	G2/0 = Contact area level2 / Termination tin
Flux proof	no
Fixing clip	no
Dimensions	SDA-85001-0001 sht.1
Technical Data	PS-85003-0001

B	G2/0	b1-32
A	G2/0	a1-32
Contact symbol	Perform. level	Contact position number

C	LTR	see ECN No. 2204	96/07/18 Cd
		REVISIONS	FOR PREVIOUS REVISIONS SEE MRI LIST

UNLESS OTHERWISE SPECIFIED TOLERANCES: ANGULAR ± 2°	DRWG BY	SIGN
INCH	Cd	
3 PLACE ± .	CHK'D BY	SIGN
2 PLACE ± .	KN	
1 PLACE ± .	APP'D BY	SIGN
DRAFT WHERE APPLICABLE MUST REMAIN WITHIN DIMENSIONS	SCALE	
DESIGN DIMENSION	<input type="checkbox"/> MM	
	<input type="checkbox"/> IN.	
EQUIVALENT DIMENSION	<input type="checkbox"/> MM	
	<input type="checkbox"/> IN.	
IF TWO DIMENSIONS ARE SHOWN, THE UPPER IS THE DESIGN DIMENSION, LOWER IS SECONDARY		

REVISE ONLY ON CAD SYSTEM	SH. REV.
CAD/CAM PROJECT NAME	THIS DRAWING CONTAINS PROPRIETARY TO MOLEX INC. & SHOULD NOT BE USED WITHOUT WRITTEN PERMISSION
S8500100	S31
TITLE	SHEET NO. DATE
64 pos. Male connector acc. DIN 41612 style B contacts arrangement	1 OF 1 95/05/22
MOLEX MOLEX EUROPE	DWG NO. SDA-85001-0036
PART NO. 85001-0036	SIZE A