

THIS DRAWING IS UNPUBLISHED. RELEASED FOR PUBLICATION  
 © COPYRIGHT - By - ALL RIGHTS RESERVED.

REVISIONS				
P	LTR	DESCRIPTION	DATE	APVD
C		REVISE PER ECO-14-017963	19SEP2016	LN RS

- NOTES:
- 1 SINGLE PACKING: ONE CONNECTOR PER LABELED BAG PACKAGED. LABELED PER TEC-107-115
  - 2 Ag PLATING
  - 3 COLOR: WHITE

4 ELECTRICAL CHARACTERISTICS

FREQUENCY RANGE:	DC - 4 GHz
NOMINAL IMPEDANCE:	50 Ohm
INSULATION RESISTANCE:	5000 MOhm
WORKING VOLTAGE:	500 Volts RMS at Sea Level
DIELECTRIC WITHSTAND VOLTAGE:	1200 Volts RMS Max
CONTACT RESISTANCE:	
CENTRE CONTACT:	1.00 mOhm Max
OUTER CONTACT:	1.00 mOhm Max
VSWR @ 4GHz:	1.30:1 Max
INSERTION LOSS dB @ x 3 GHz:	0.30 Max

5 MECHANICAL CHARACTERISTICS

CABLE RETENTION FORCE:	170N Min
DURABILITY:	500 Cycles Min

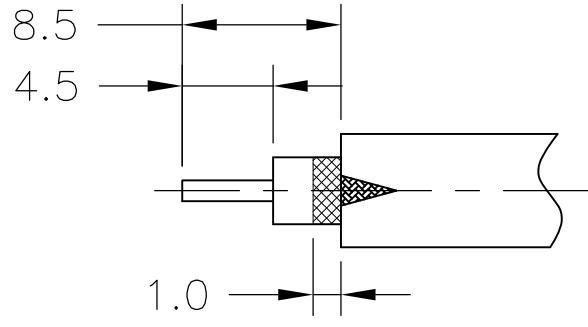
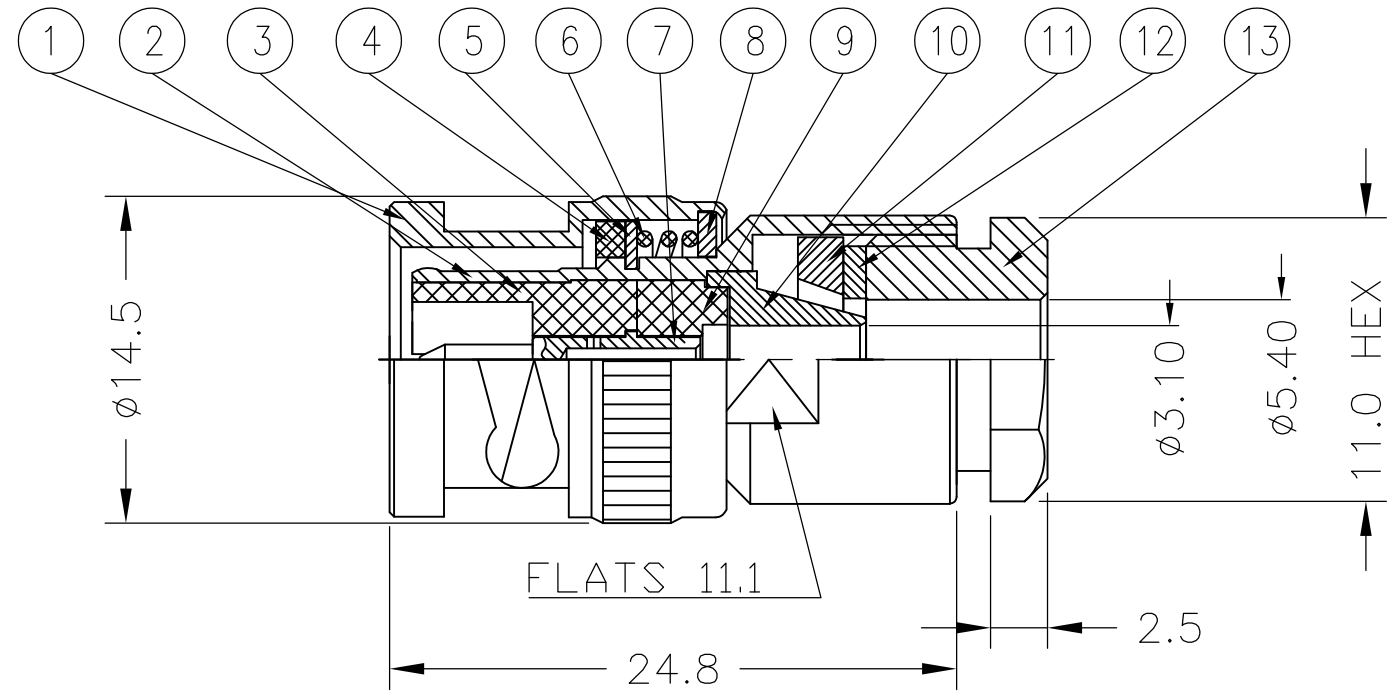
6 ENVIRONMENTAL CHARACTERISTICS

OPERATING TEMPERATURE:	-65 to +165 DegC
------------------------	------------------

7 ALL DIMENSIONS ARE NOMINAL FOR REFERENCE ONLY UNLESS OTHERWISE STATED

8 FOR USE ON CABLES: RG58C/U, 141A/U, URM43, 76, BELDEN 9907

9 TRAY PACKAGE



RECOMMENDED STRIPPING DIMENSIONS

QTY	UNIT	MATERIAL	DESCRIPTION	ITEM
1	1	BRASS	NUT	13
1	1	BRASS	WASHER	12
1	1	BRASS	CLAMP	11
1	1	BRASS	SLEEVE	10
1	1	PTFE	INSULATOR II	9
1	1	BRASS	WASHER	8
1	1	BRASS	CENTER CONTACT	7
1	1	STEEL	SPRING	6
1	1	PHOS BRONZE	RING	5
1	1	SILICONE RUBBER	GASKET	4
1	1	PTFE	INSULATOR I	3
1	1	BRASS	BODY	2
1	1	BRASS	SHELL	1
6--0	1--0	MATERIAL	DESCRIPTION	ITEM

THIS DRAWING IS A CONTROLLED DOCUMENT.		DWN A.BEKEN 21NOV2001	TE Connectivity	
DIMENSIONS: mm		CHK F W-KING 21NOV2001		
TOLERANCES UNLESS OTHERWISE SPECIFIED:		APVD R.G 21NOV2001	NAME BNC STRAIGHT PLUG SOLDER (PS) RG58 50 OHM	
0 PLC ± -		PRODUCT SPEC	SIZE	
1 PLC ± -		APPLICATION SPEC	CAGE CODE	
2 PLC ± -		411-3274	DRAWING NO	
3 PLC ± -		WEIGHT	RESTRICTED TO	
4 PLC ± -		0	A3 00779 C-1478401	
ANGLES ± -		CUSTOMER DRAWING	SCALE 1:1	
FINISH			SHEET 1 OF 1	
			REV C	