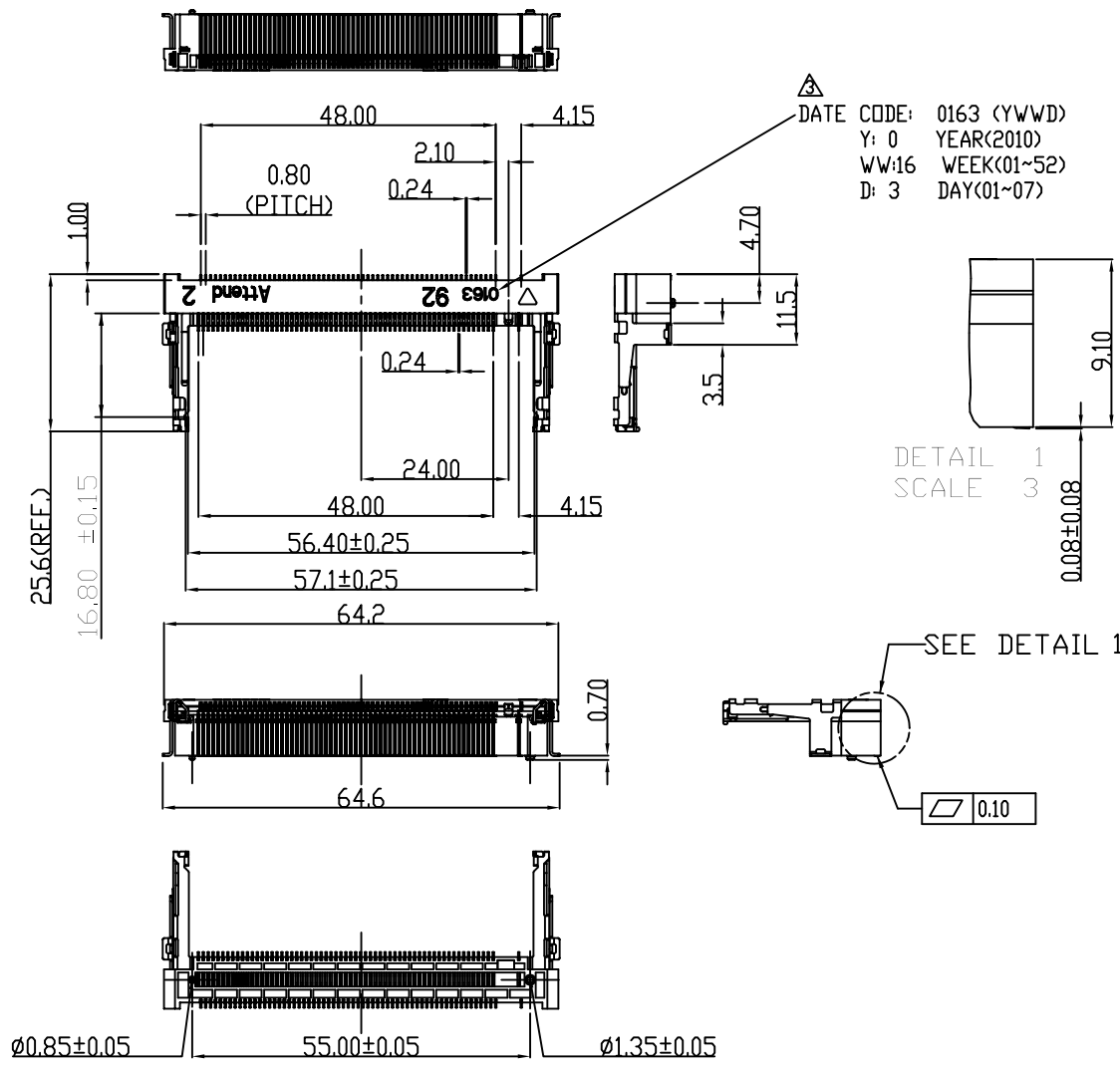



PRODUCT NO.	ITEM	PART NAME	Q'TY	MATERIAL	PLATING
114B-92B00-R02	1	BODY	1	LCP	
	3	CONTACT	124	PHOSPHOR BRONZE	GOLD 3u"
	4	LATCH	2	STAINLESS	

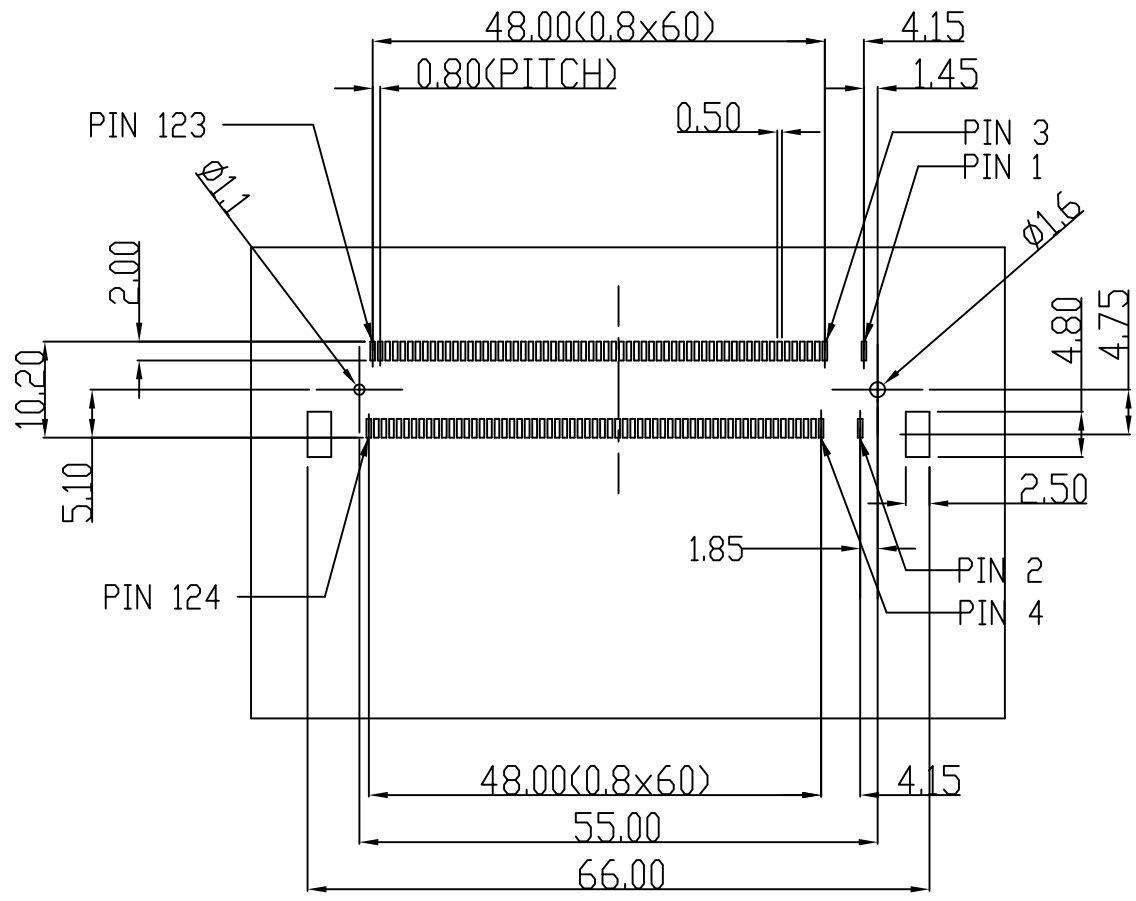


Plastic Body : LCP, Color Black.  
 Contact: Phosphor Bronze Alloy (C5191R-H)  
 Contact area: Gold 3 micro inches  
 Solder area: Gold flash  
 All under-plated Ductile Nickel 50 micro inches (Min.)  
 Latch : SUS304R-1/2H, Matte Tin Plated  
 Contact Resistance: 30 mΩ (Max)  
 Insulation Resistance: 500 MΩ (Max.)  
 Dielectric Withstanding Voltage:  
 Mate connectors; apply 250V AC at 60 Hz(rms.)  
 Contact Normal Force: 50 gf per pin (Min.)  
 soldering heat: 260°C  
 Rating Voltage: 25V AC  
 Rating Current: 0.3A(Max.)/(1PIN)  
 Operating Temperature: -40°C to +90°C  
 Storage Temperature: -40°C to +90°C

114B-92 B 0 0-R02  
 1 2 3 4

- 1.Stand off  
s/o:9.2mm
- 2.Contact Plating  
B:3u" Gold Plating
- 3.Color  
0:Black
- 4.RoHS

						UNLESS OTHERWISE SPECIFIED TOLERANCE			 www.attend.com.tw	
						ANGLES	ANG.	±5°		
						LINEAR	0.	±0.3		
							0.0	±0.25		
						0.00	±0.20			
						SCALE	AS SHOWN	UNIT: mm	DRAWN NAME: Mini PCI Socket H:9.2,Metal Grounding Type	
						DRAWN	Willis	2012/08/03	PRODUCT NO. 114B-92B00-R02	
						CHECKED	Angel	2012/08/03	FILE NAME 114B-92B00-R02_B_6	
						APPROVED	Ken	2012/08/03		
△	ECR2100009		2021/03/30			SIZE A4		REV. 6		
REV.	DESCRIPTION	DATE	REV.	DESCRIPTION	DATE			REV.		
1										



RECOMMENT PC BOARD LAYOUT

UNLESS OTHERWISE SPECIFIED TOLERANCE		
ANGLES	ANG.	±5°
LINEAR	0.	±0.3
	0.0	±0.25
	0.00	±0.20
SCALE	AS SHOWN	UNIT: mm
DRAWN	Willis	2012/08/03
CHECKED	Angel	2012/08/03
APPROVED	Ken	2012/08/03



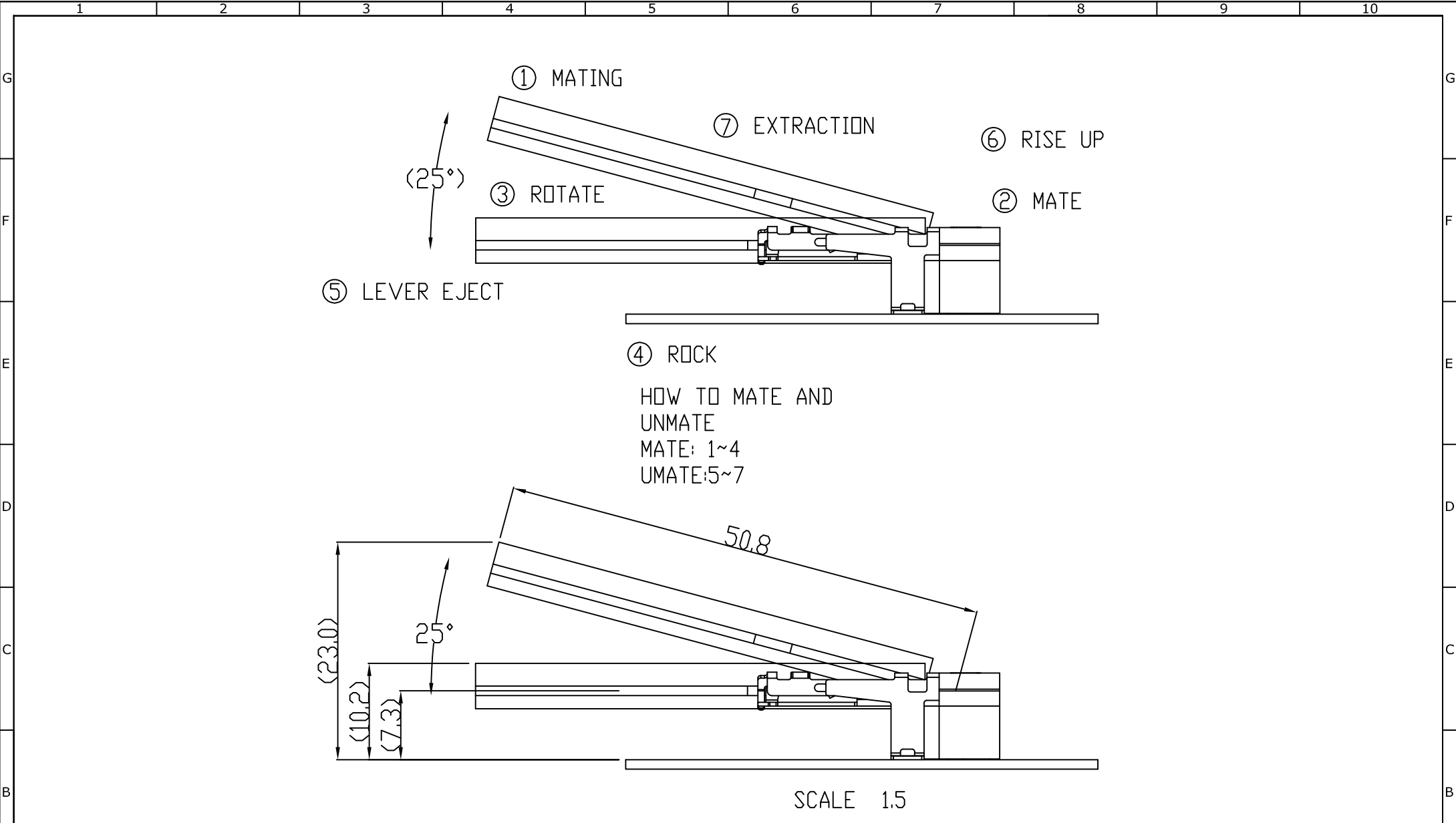
www.attend.com.tw

DRAWN NAME:  
Mini PCI Socket H:9.2, Metal Grounding Type

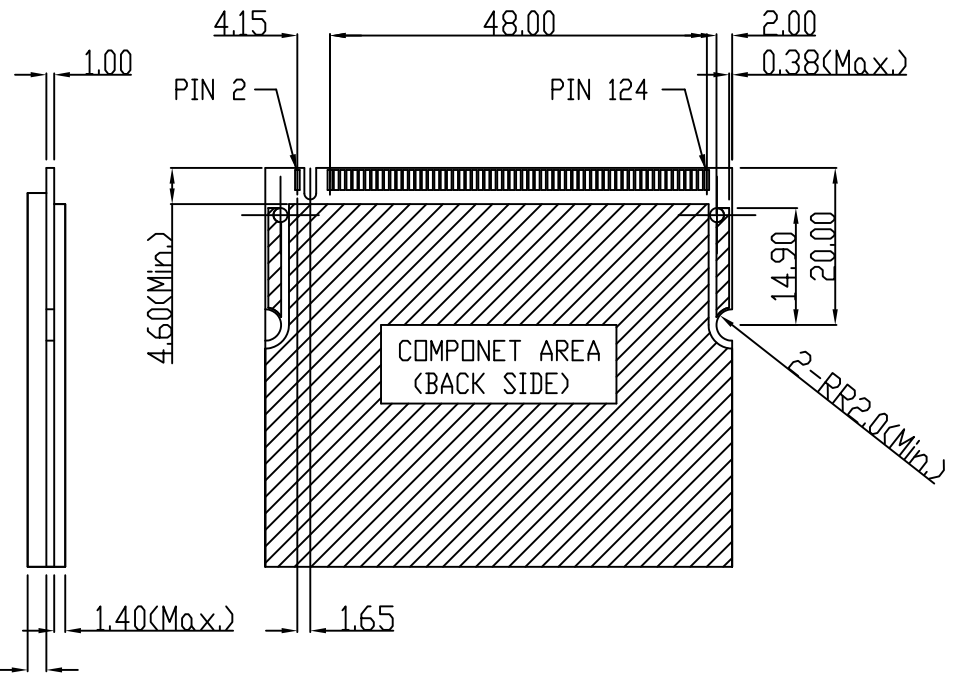
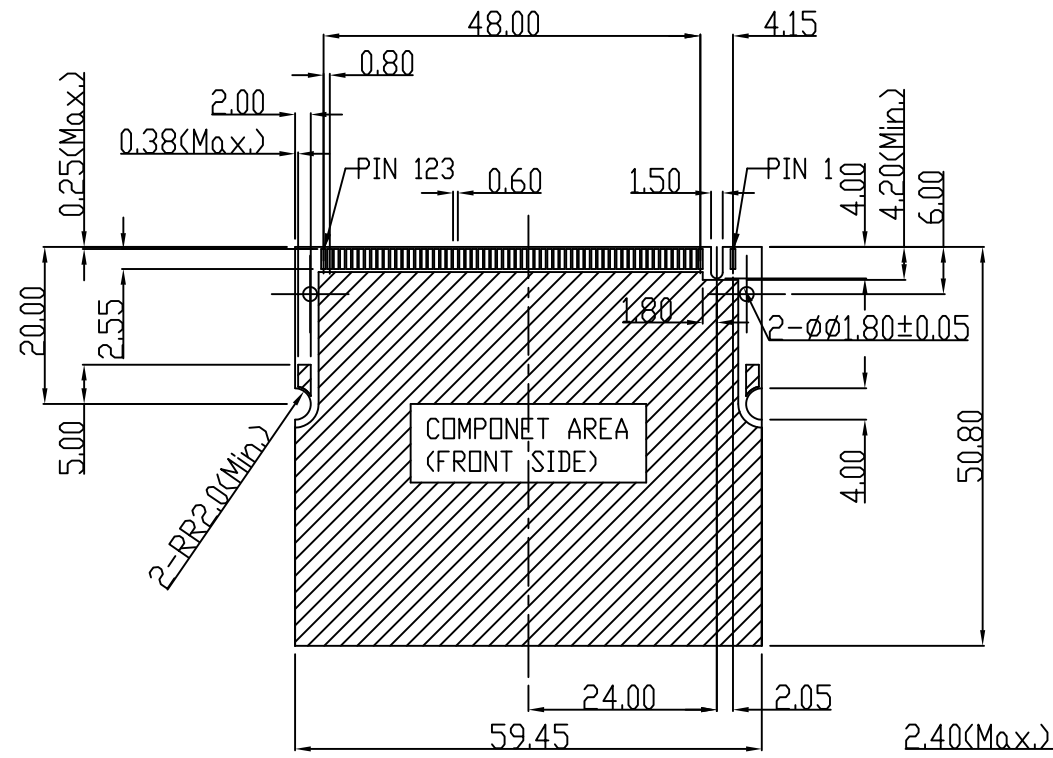
PRODUCT NO. 114B-92B00-R02

△	ECR2100009	2021/03/30
---	------------	------------

REV.	DESCRIPTION	DATE	REV.	DESCRIPTION	DATE	SIZE	REV.	FILE NAME
1						A4	6	114B-92B00-R02_B_6



						UNLESS OTHERWISE SPECIFIED TOLERANCE			 www.attend.com.tw	
						ANGLES	ANG.	±5°		
						LINEAR		0.0	±0.3	
								0.00	±0.25	
								0.00	±0.20	
						SCALE	AS SHOWN	UNIT: mm		
						DRAWN	Willis	2012/08/03	DRAWN NAME:	
						CHECKED	Angel	2012/08/03	Mini PCI Socket H:9.2, Metal Grounding Type	
						APPROVED	Ken	2012/08/03	PRODUCT NO.	114B-92B00-R02
△	ECR2100009		2021/03/30					SIZE	A4	REV. 6
REV.	DESCRIPTION		DATE	REV.	DESCRIPTION		DATE	FILE NAME	114B-92B00-R02_B_6	
1				4				9		
2				5				10		
3				6						
4				7						
5				8						
6				9						
7				10						



SCALE 1

UNLESS OTHERWISE SPECIFIED TOLERANCE		
ANGLES	ANG.	±5°
LINEAR	0.	±0.3
	0.0	±0.25
	0.00	±0.20
SCALE	AS SHOWN	UNIT: mm
DRAWN	Willis	2012/08/03
CHECKED	Angel	2012/08/03
APPROVED	Ken	2012/08/03

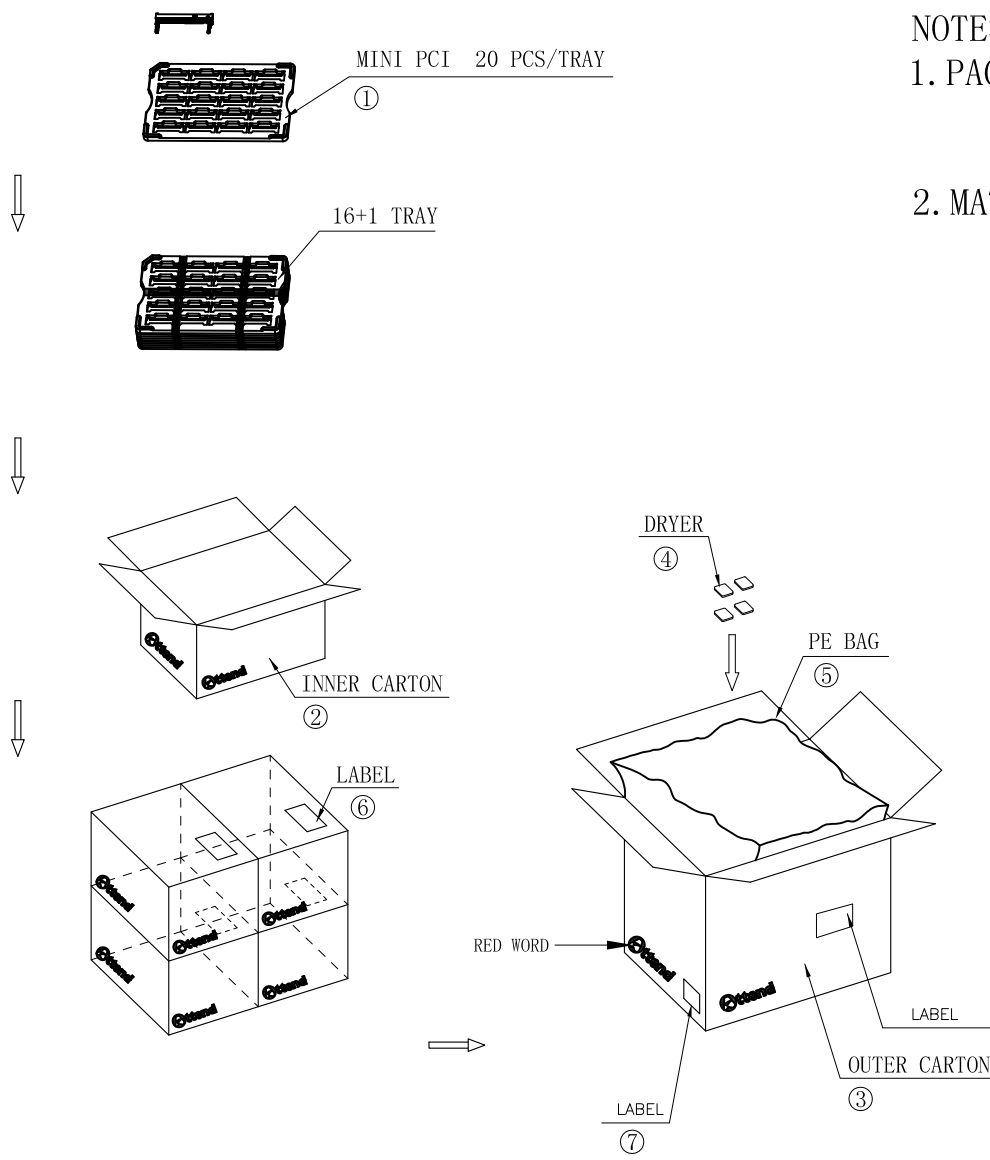


www.attend.com.tw	
DRAWN NAME: Mini PCI Socket H:9.2,Metal Grounding Type	
PRODUCT NO.	114B-92B00-R02
FILE NAME	114B-92B00-R02_B_6

REV.	DESCRIPTION	DATE	REV.	DESCRIPTION	DATE
1		2021/03/30			



SIZE A4 REV. 6



NOTES:  
 1. PACKING STYLE 20 PCS/TRAY  
           160 PCS/INNER CARTON  
           640 PCS/OUTER CARTON  
 2. MATERIAL TRAY:PET

7	LABEL	1	PCS		
6	LABEL	4	PCS		
5	PE BAG	1	PCS		
4	DRYER	4	BAG		
3	OUTER CARTON	1	PCS		
2	INNER CARTON	4	PCS		
1	TRAY	20	32+4	PCS	
		640			
NO.	PACKING NAME	PCS/T	T/CTN.	UNIT	NOTE
		PACKING	QTY		

						UNLESS OTHERWISE SPECIFIED TOLERANCE			 <a href="http://www.attend.com.tw">www.attend.com.tw</a>			
ANGLES		ANG.		±5°		DRAWN NAME:						
LINEAR		0.		±0.3		Mini PCI Socket H:9.2,Metal Grounding Type						
		0.0		±0.25		APPROVED						
		0.00		±0.20		SCALE		AS SHOWN		UNIT: mm		
DRAWN		Willis		2012/08/03		CHECKED		Angel		2012/08/03		
APPROVED		Ken		2012/08/03		PRODUCT NO.		114B-92B00-R02				
REV.	DESCRIPTION			DATE	REV.	DESCRIPTION			DATE	SIZE	REV.	FILE NAME
1					4					A4	1.0	114B-92B00-R02_D_2