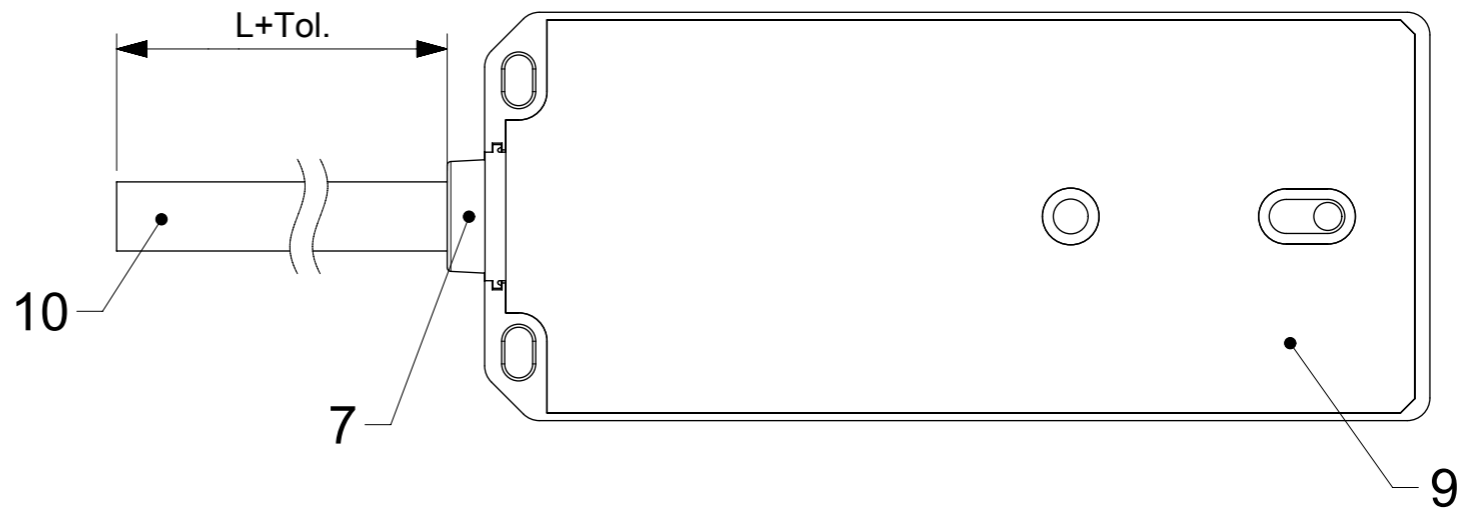
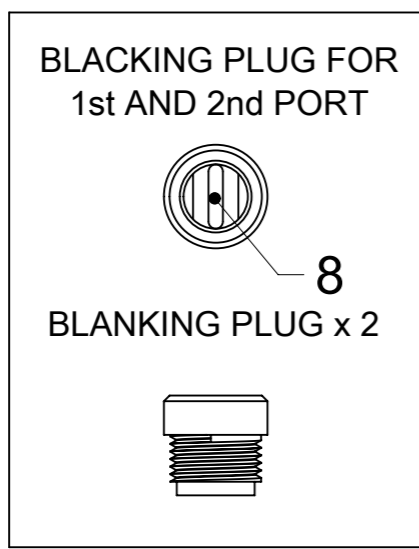
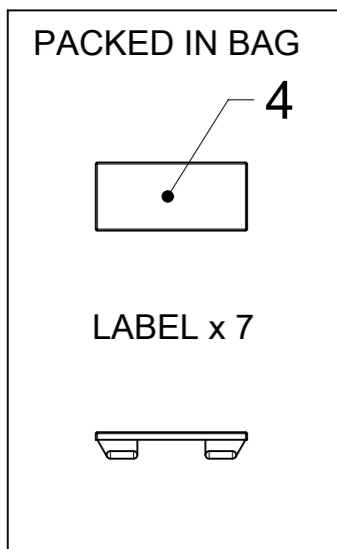
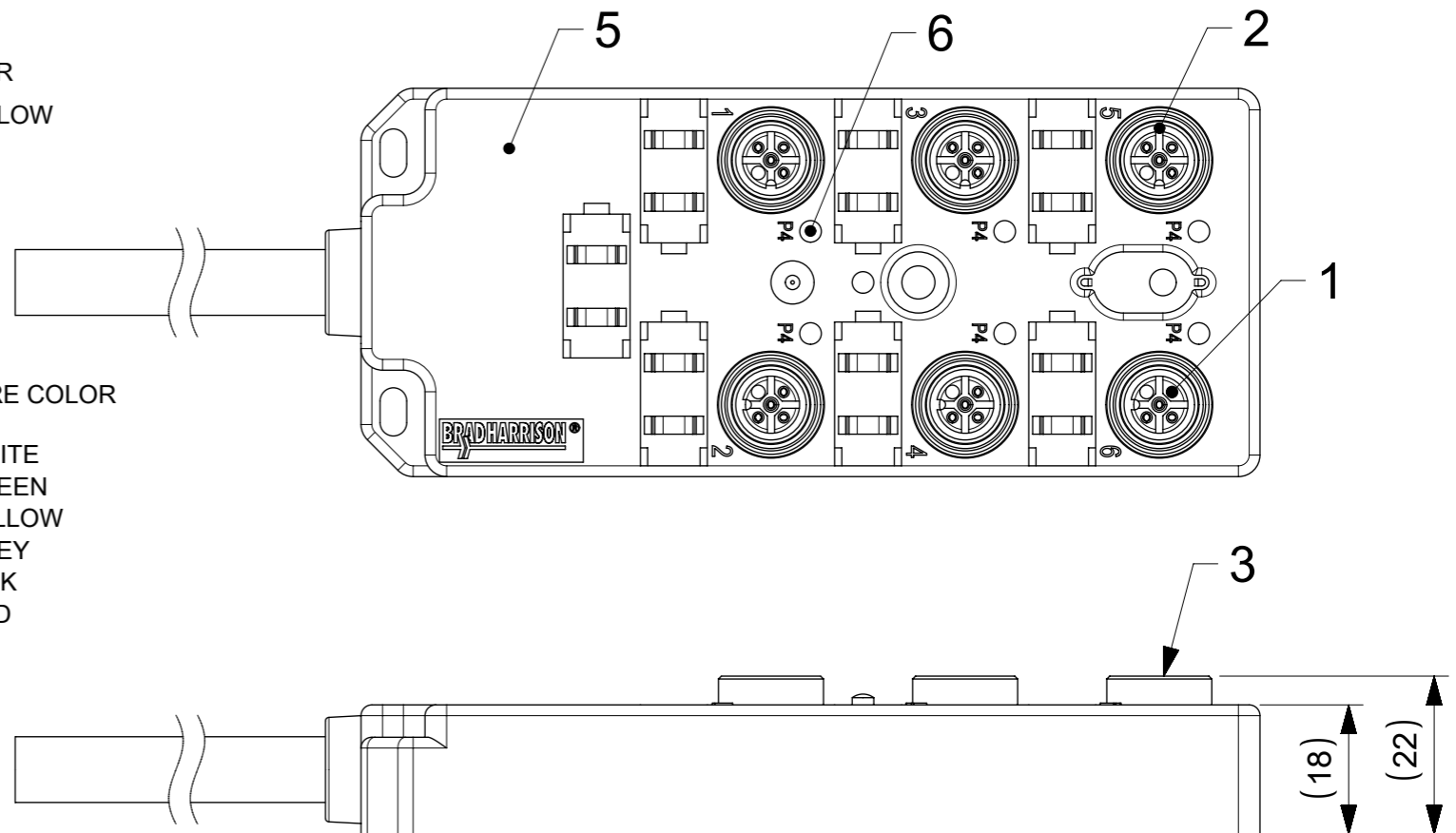
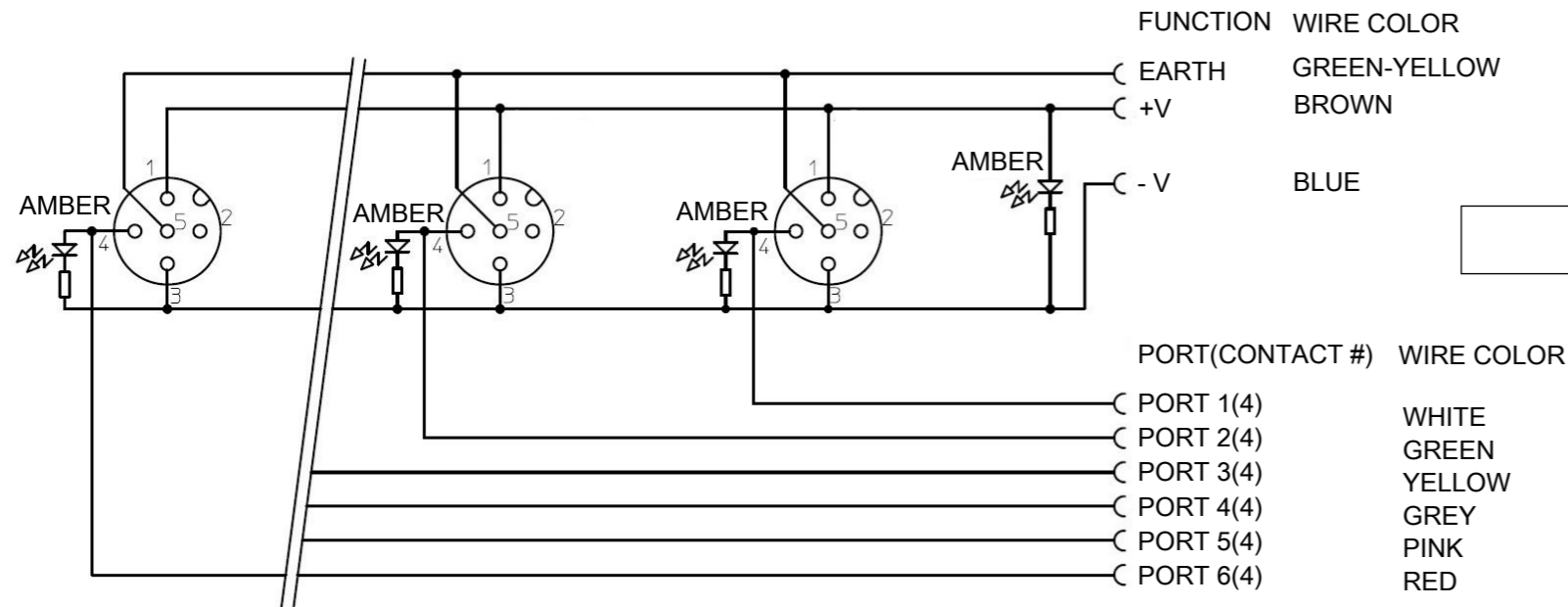


# WIRING DIAGRAM

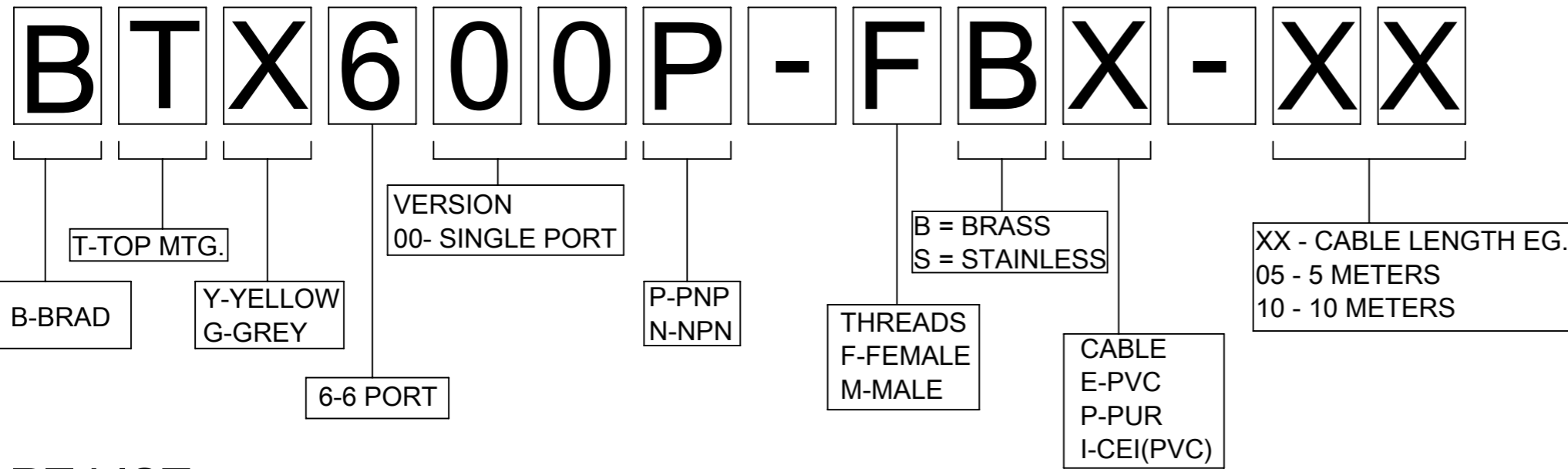


## BOM

ITEM	QTY.	DESCRIPTION	MATERIAL	FINISH/COLOR
1	24	CONTACT FEMALE	BRASS	GOLD OVER Ni-PLATED
2	6	GASKET OR	FPM	RED
3	6	SHELL	BRASS	Ni-PLATED
4	7	LABEL	PLASTIC	WHITE
5	1	SINGLE PORT CABLE HOUSING	TBP	YELLOW
6	7	LED	GRILLAMID TR 55	TRANSPARENT
7	1	CABLE PLATE	ULTRADUR B4406 G2	YELLOW
8	2	BLANKING PLUG	PP	VDI 3400
9	-	POTTING MATERIAL	WEVO	-
10	-	CABLE	SEE MATRIX	SEE MATRIX

SYMBOLS	DIMENSION UNITS	SCALE	CURRENT REV DESC: INITIAL RELEASE		
▽ = 0	mm	1:1			
▽ = 0	GENERAL TOLERANCES (UNLESS SPECIFIED)				
▽ = 0	ANGULAR TOL ± 1.0°		PRODUCT CUSTOMER DRAWING		
▽ = 0	4 PLACES ±		EC NO: 606320	2018/10/09	
▽ = 0	3 PLACES ±		DRWN: SSM	2018/10/22	
▽ = 0	2 PLACES ± 0.05		CHK'D: SSM	2018/10/22	
▽ = 0	1 PLACE ± 0.3		APPR: RSILLER	2018/10/22	
▽ = 0	0 PLACES ± 0.5		INITIAL REVISION:		
▽ = 0	DRAFT WHERE APPLICABLE MUST REMAIN WITHIN DIMENSIONS		DRWN: SSM	2018/10/09	
▽ = 0	THIRD ANGLE PROJECTION		APPR: RSILLER	2018/10/22	
DRAWING			SERIES	MATERIAL NUMBER	CUSTOMER
A3-SIZE			120055	SEE SHEET 2	GENERAL MARKET
DOCUMENT NUMBER			DOC TYPE	DOC PART	REVISION
1200550402			PSD	000	A
SHEET NUMBER			1 OF 2		

# PART No MATRIX



## PART LIST

MOLEX P/N	ENGINEERING NO.	CABLE P/N	"Length"(MM)
1200550402	BTY600P-FBE-05	1202092996	10000
1200550570	BTY600P-FBI-10	930900054	10000
1200550605	BTY600P-FBE-10	930900050	10000
1200550621	BTY600P-FBE-20	930900126	20000
1201140054	BTY600P-FBP-15	1202090938	15000
1201148017	BTY600P-FBP-05	1202090938	5000
1201148018	BTY600P-FBP-10	1202090938	10000
1201148019	BTY600P-FBP-20	1202090938	20000

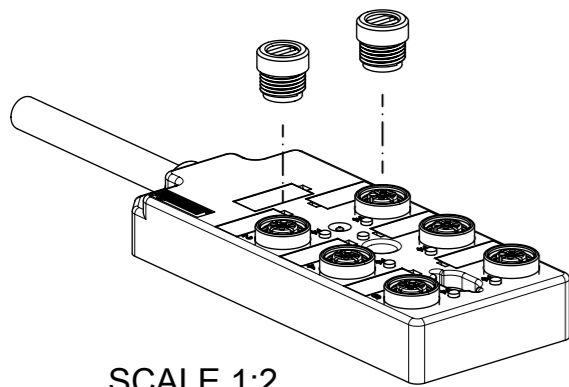
### TECHNICAL SPECIFICATION:

VOLTAGE RATING : 10-30 VDC  
 AMPERAGE PER PORT : 4 AMPS  
 PROTECTION RATING : IP68  
 OPERATING TEMPERATURE : -20°C TO +90°C

## CABLE INFORMATION:

CABLE TYPE	NO. OF WIRES	CROSS SECTION	CABLE JACKET	UL	CSA	STATIC: TEMP. / BENDING RADIUS	DYNAMIC: TEMP. / BENDING RADIUS	DRAG CHAIN	VOLTAGE RATING
E : E80-9	9	0.34mm <sup>2</sup> /0.75mm <sup>2</sup>	PVC YELLOW	-	-	-	-5°C to +70°C	-	300V
P : P80-9	9	0.34mm <sup>2</sup> /0.75mm <sup>2</sup>	PUR BLACK	-	-	-40°C to +90°C	-15°C to +90°C	2 MIO CYCLES	300V
I : I80-9	9	0.34mm <sup>2</sup> /0.75mm <sup>2</sup>	CEI(PVC) GRAY	-	-	-25°C to +70°C, >10xO.D.	-5°C to +70°C, 15>xO.D.	1 MIO CYCLES	300V

Over	Up to and including	Tolerance(+)
0	305	+19
305	915	+45
915	1830	+56
1830	3660	+89
3660	7320	+165
7320	14640	+317
14640	30500	+610
30500	>	+2% of length



<b>SYMBOLS</b> DIMENSION UNITS: mm SCALE: 1:1 GENERAL TOLERANCES (UNLESS SPECIFIED) ANGULAR TOL ± 1.0° 4 PLACES ± 3 PLACES ± 2 PLACES ± 0.05 1 PLACE ± 0.3 0 PLACES ± 0.5 DRAFT WHERE APPLICABLE MUST REMAIN WITHIN DIMENSIONS THIRD ANGLE PROJECTION DRAWING: A3-SIZE SERIES: 120055	THIS DRAWING CONTAINS INFORMATION THAT IS PROPRIETARY TO MOLEX ELECTRONIC TECHNOLOGIES, LLC AND SHOULD NOT BE USED WITHOUT WRITTEN PERMISSION CURRENT REV DESC: INITIAL RELEASE EC NO: 606320 DRWN: SSM 2018/10/09 CHK'D: SSM 2018/10/22 APPR: RSILLER 2018/10/22 INITIAL REVISION: DRWN: SSM 2018/10/09 APPR: RSILLER 2018/10/22		 M12-MPIS-6W-SINGLE I/O-5M-PVC PRODUCT CUSTOMER DRAWING		
	DOCUMENT NUMBER: 1200550402 DOC TYPE: PSD DOC PART: 000 REVISION: A				