

MATERIAL NO.	ENGINEERING NO.	FINISHED LENGTH
1300130417	1R5000A20A120	12 IN (0.31 M)
1300130421	1R5000A20F030	3 FT (0.91 M)
1300130423	1R5000A20F060	6 FT (1.83 M)
1300130426	1R5000A20M020	2 M (6 FT 6.74 IN)

CABLE LENGTH TOLERANCES

<.3M [1FT]: +19mm-0 [+.75in-0]

.3 - .9M [1 - 3FT]: +44.5mm-0 [+1.75in-0]

.9 - 1.8M [3 - 6FT]: +55.6mm-0 [+2.19in-0]

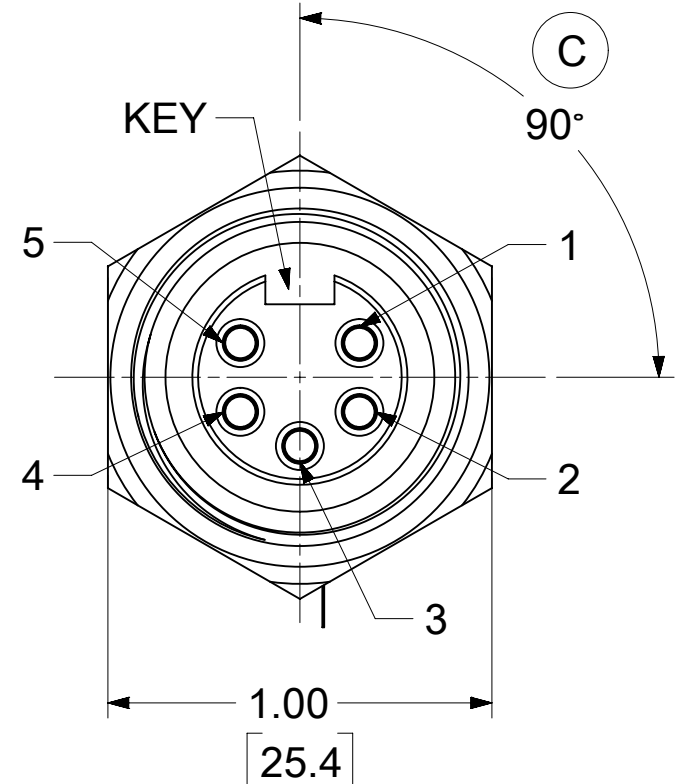
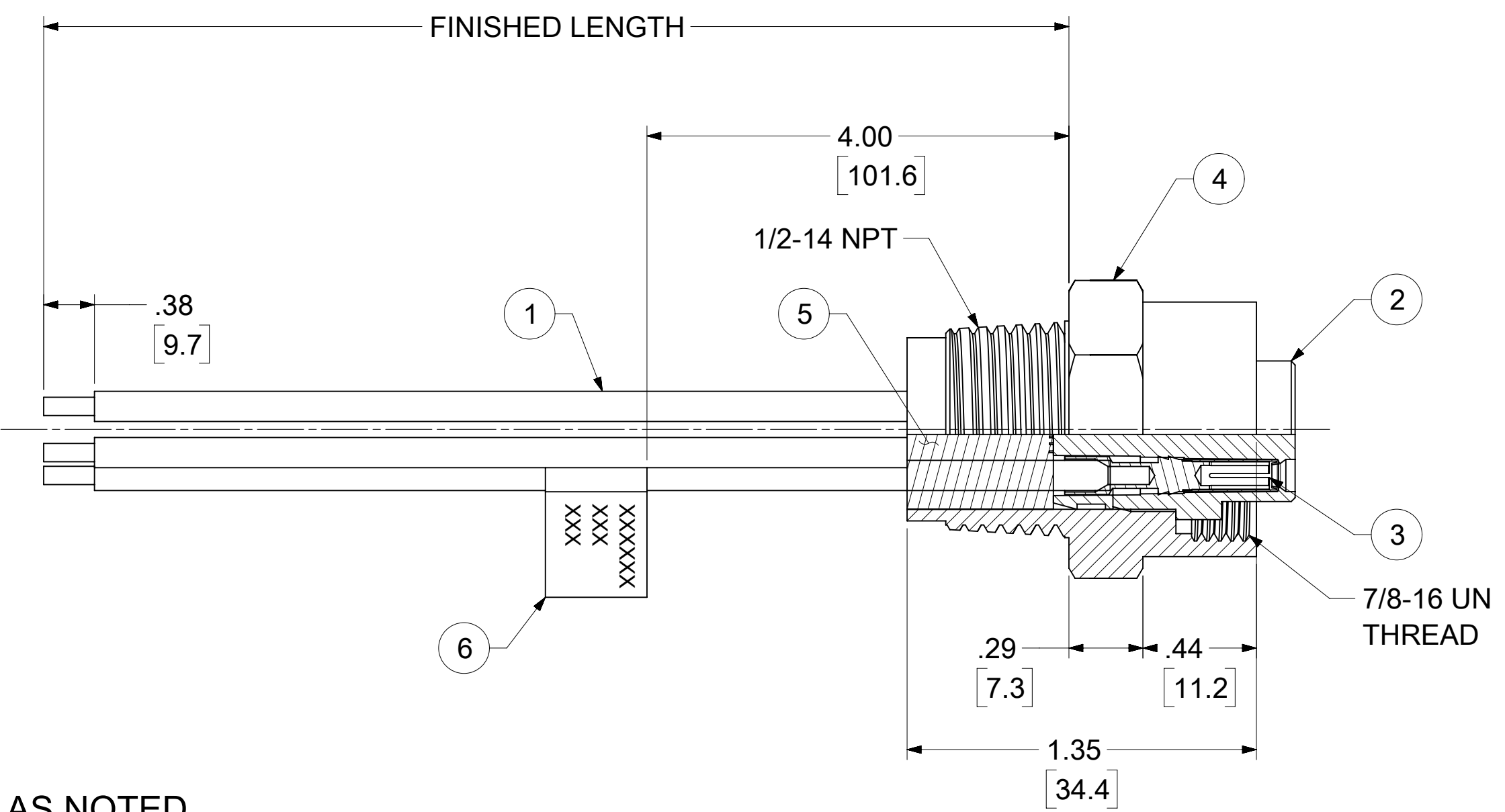
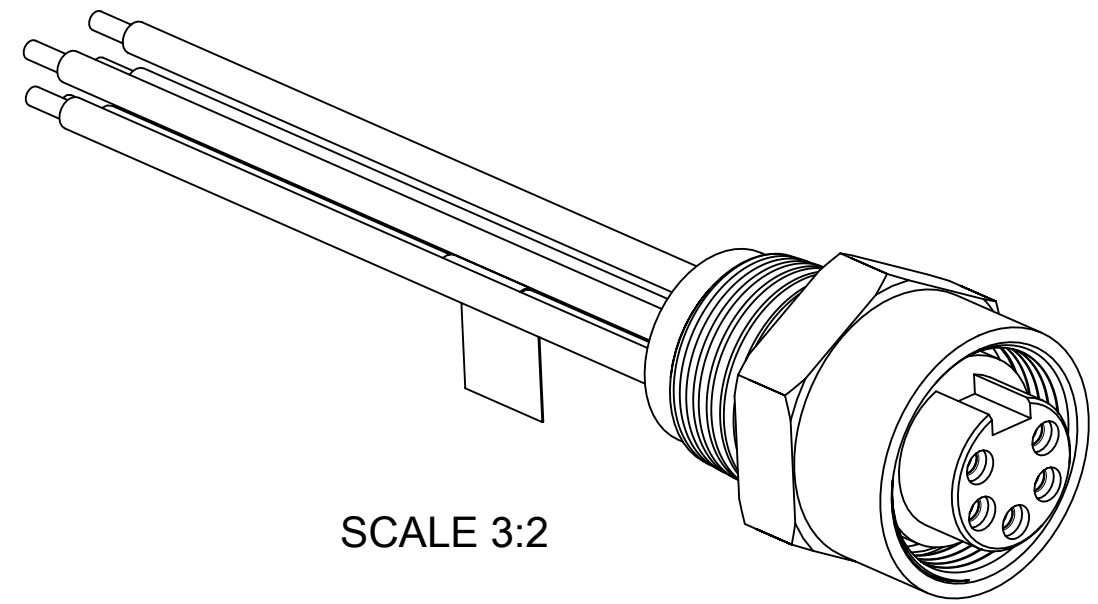
1.8 - 3.7M [6 - 12FT]: +88.9mm-0 [+3.50in-0]

3.7 - 7.3M [12 - 24FT]: +165.1mm-0 [+6.50in-0]

7.3-14.6M [24 - 48FT]: +317.5mm-0 [+12.50in-0]

14.6 - 30.5M [48-100FT]: +622.3mm-0 [+24.50in-0]

OVER 30M [100FT] +2% OF FINISHED LENGTH



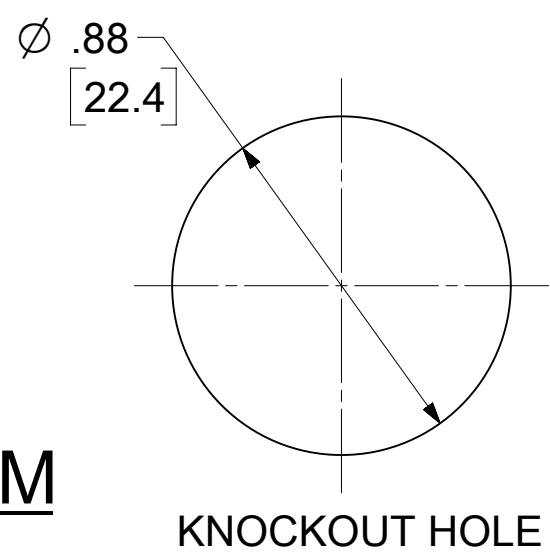
FEMALE FACE VIEW

PART NUMBER LEGEND

1R5000A20A120

FINISHED LENGTH
A120= 12 INCHES
F001= .1 FT
F020= 2 FT
F200= 20 FT
M001 = .1 METER
M010 = 1 METER
M100 = 10 METER

- NOTES:**
- MATERIAL: AS NOTED
 - FINISH: AS NOTED
 - ELECTRICAL:
VOLTAGE: 400V PER IEC60664
600V PER UL2238
CURRENT: 8A
 - TEMP RATING: -20°C TO +105°C
 - PROTECTION: IP67 (WHEN MATED)
 - CSA CERTIFIED FILE: LR6837
UL RECOGNIZED FILE: E152210
 - ALL DIMS ARE FOR REFERENCE UNLESS TOLERANCED OR NOTED OTHERWISE



WIRING DIAGRAM

WHITE	1
RED	2
GREEN/YELLOW	3
ORANGE	4
BLACK	5

ITEM	DESCRIPTION	MATERIAL	FINISH
6	FLAG LABEL	VINYL	BLACK/YELLOW
5	POTTING MATERIAL	EPOXY	
4	RECEPTACLE SHELL	ZINC DIE CAST	NICKEL PLATED
3	SOCKET CONTACT	Cu ALLOY	GOLD OVER NICKEL
2	INSERT	TPE	YELLOW
1	WIRE, 16 AWG, UL1015	PVC	SEE WIRING DIAGRAM

THIS DRAWING CONTAINS INFORMATION THAT IS PROPRIETARY TO MOLEX ELECTRONIC TECHNOLOGIES, LLC AND SHOULD NOT BE USED WITHOUT WRITTEN PERMISSION

FUNCTIONAL SYMBOLS	DIMENSION UNITS	SCALE	CURRENT REV DESC: ITEM #2 WERE PVC, UPDATED MATERIAL P/N TABLE. ADDED CSA, UL, IEC VOLT, TEMP RATING, IP RATING, TOL. CHART, 90° KEY ORIENTATION DIM. AND PART NUMBER LEGEND
$\nabla = 0$	mm	2:1	EC NO: 701162
$\nabla = 0$	GENERAL TOLERANCES (UNLESS SPECIFIED)		DRWN: AKABADI 2021/11/11
$\nabla = 0$	ANGULAR TOL ± °		CHK'D: RSTONE 2022/03/30
DIVISIONAL SYMBOLS	4 PLACES ±		APPR: BWOODMAN 2022/04/08
	3 PLACES ±		INITIAL REVISION:
	2 PLACES ±		DRWN: RSTONE 2009/08/26
	1 PLACE ±		APPR: JFMURPHY 2009/08/27
	0 PLACES ±		
DRAFT WHERE APPLICABLE MUST REMAIN WITHIN DIMENSIONS	THIRD ANGLE PROJECTION	DRAWING	SERIES
		C-SIZE	130013

molex			
MINI-CHANGE, RECEPTACLE 5 POLE, FEMALE, STRAIGHT, SINGLE KEY, 16 AWG			
PRODUCT CUSTOMER DRAWING			
DOCUMENT NUMBER	DOC TYPE	DOC PART	REVISION
SD-130013-087	PSD	001	C
MATERIAL NUMBER	CUSTOMER	SHEET NUMBER	
SEE TABLE	GENERAL MARKET	1 OF 1	