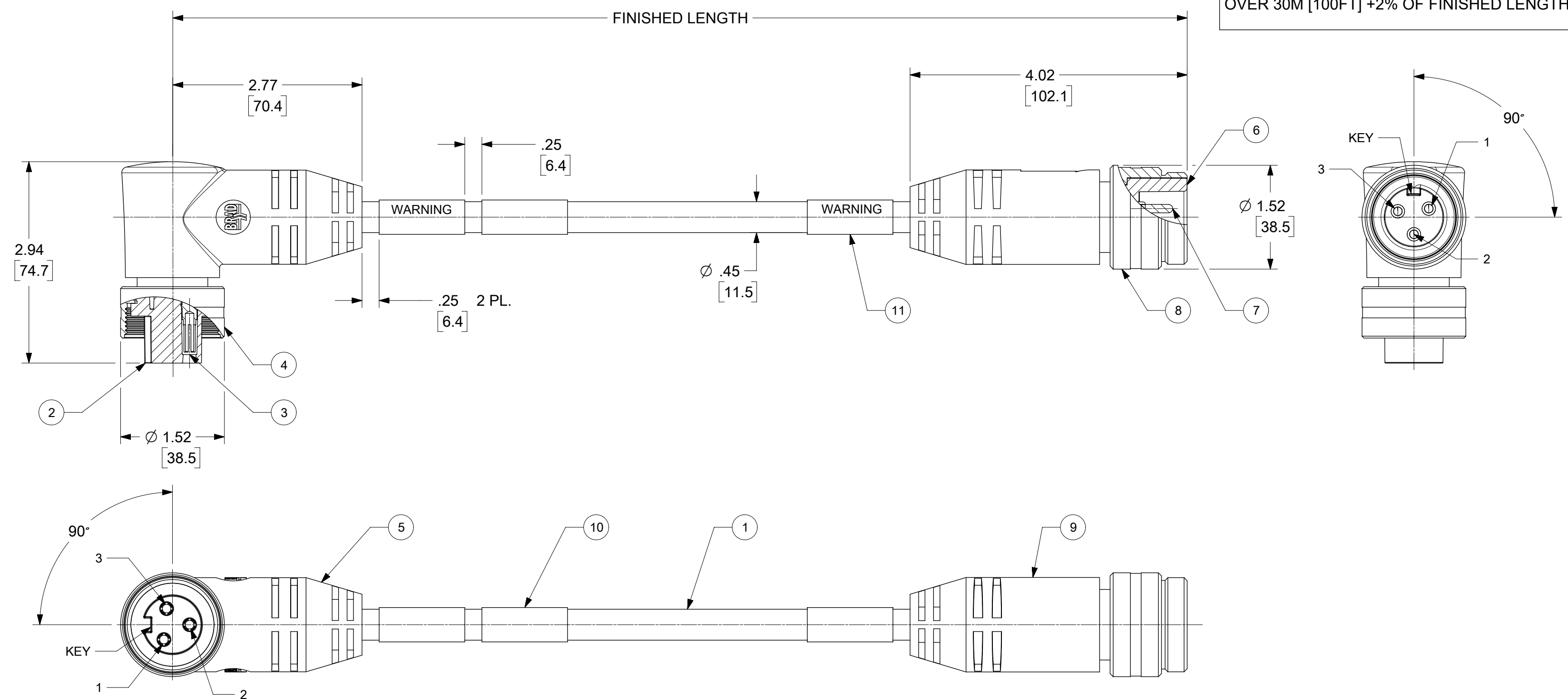


PART NO.	ENG. NO.	FINISHED LENGTH	OVERMOLD COLOR
1300640465	CC3031K19M020E	6 FT 7 IN [2.0M]	RED
1300640530	CC3031K19M015G	4 FT 11 IN [1.5M]	BLACK

CABLE LENGTH TOLERANCES	
>.3M [1FT]:	+19mm-0 [+ .75in-0]
.3 - .9M [1 - 3FT]:	+44.5mm-0 [+1.75in-0]
.9 - 1.8M [3 - 6FT]:	+55.6mm-0 [+2.19in-0]
1.8 - 3.7M [6 - 12FT]:	+88.9mm-0 [+3.50in-0]
3.7 - 7.3M [12 - 24FT]:	+165.1mm-0 [+6.50in-0]
7.3-14.6M [24 - 48FT]:	+317.5mm-0 [+12.50in-0]
14.6 - 30.5M [48-100FT]:	+622.3mm-0 [+24.50in-0]
OVER 30M [100FT]:	+2% OF FINISHED LENGTH



- NOTES:
- MATERIAL: AS NOTED
 - FINISH: AS NOTED
 - ELECTRICAL:
VOLTAGE: 630V PER IEC60664
600V PER UL2237
CURRENT: 32A
 - TEMP RATING: -20°C TO +90°C
 - PROTECTION: IP67 (WHEN MATED)
 - COUPLING THREAD: 1 3/8-16 UN
 - UL LISTED FILE: E258922
 - ALL DIMS ARE FOR REFERENCE UNLESS TOLERANCED OR NOTED OTHERWISE

CC3031K19M015G

LENGTH ——— OVERMOLD COLOR
M001 = .1 METERS BLANK = GRAY
M010 = 1.0 METERS G = BLACK
M100 = 10 METERS E = RED

PART NUMBER LEGEND

ITEM	DESCRIPTION	MATERIAL	FINISH
11	WARNING LABEL	VINYL	BLACK/ORANGE
10	WRAP LABEL	VINYL	BLACK/YELLOW
9	OVERMOLD (STRAIGHT)	TPE	SEE P/N CHART
8	COUPLING (EXT. THREAD)	ALUMINUM	CLEAR ANODIZE
7	CONTACT PIN	Cu alloy	GOLD PLATED
6	INSERT (MALE)	TPE	BLACK
5	OVERMOLD (90 DEG)	TPE	SEE P/N CHART
4	COUPLING (INT. THREAD)	ALUMINUM	CLEAR ANODIZE
3	CONTACT SOCKET	Cu ALLOY	GOLD PLATED
2	INSERT (FEMALE)	TPE	BLACK
1	CABLE, 10/3 TC-ER	TPE JACKET	BLACK

	SI	P2
1	BLACK	1
2	GREEN-YELLOW	2
3	WHITE	3

WIRE DIAGRAM

FUNCTIONAL SYMBOLS	THIS DRAWING CONTAINS INFORMATION THAT IS PROPRIETARY TO MOLEX ELECTRONIC TECHNOLOGIES, LLC AND SHOULD NOT BE USED WITHOUT WRITTEN PERMISSION		CURRENT REV DESC: UPDATE DOC PER LATEST STD. REMOVE 'RED' FROM TITLE. PVC INSERTS AND O-MOLDS WERE PVC	
	DIMENSION UNITS	SCALE	EC NO: 645549	
$\frac{F}{A} = 0$	INCH/MM	1:1	DRWN: RSTONE	2020/09/15
$\frac{F}{C} = 0$	GENERAL TOLERANCES (UNLESS SPECIFIED)		CHK'D: MZIELINSKI	2020/09/17
$\frac{F}{P} = 0$	4 PLACES	±	APPR: BWOODMAN	2020/10/02
DIVISIONAL SYMBOLS	3 PLACES	±	INITIAL REVISION:	
	2 PLACES	±	DRWN: RSTONE	2015/12/17
1 PLACE	±	ANGULAR TOL	± °	2016/02/29
0 PLACES	±	THIRD ANGLE PROJECTION		
DRAFT WHERE APPLICABLE MUST REMAIN WITHIN DIMENSIONS		DRAWING		SERIES
		C-SIZE		130064

molex			
BRAD POWER CORD ASSEMBLY (QUICK CHANGE) 3P, MALE STR TO FEM 90D, SK, 10AWG TPE CABLE			
PRODUCT CUSTOMER DRAWING			
DOCUMENT NUMBER		DOC TYPE	DOC PART
SD-130064-009		PSD	001
MATERIAL NUMBER		CUSTOMER	SHEET NUMBER
SEE P/N LEGEND		GENERAL MARKET	1 OF 1