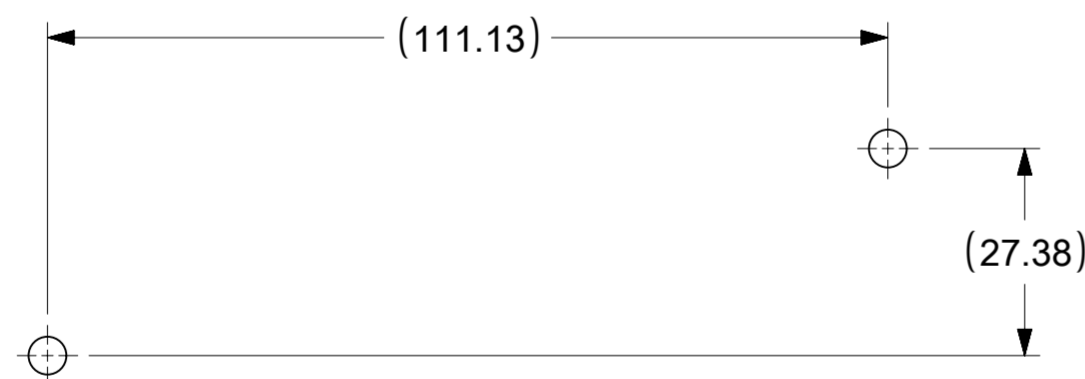
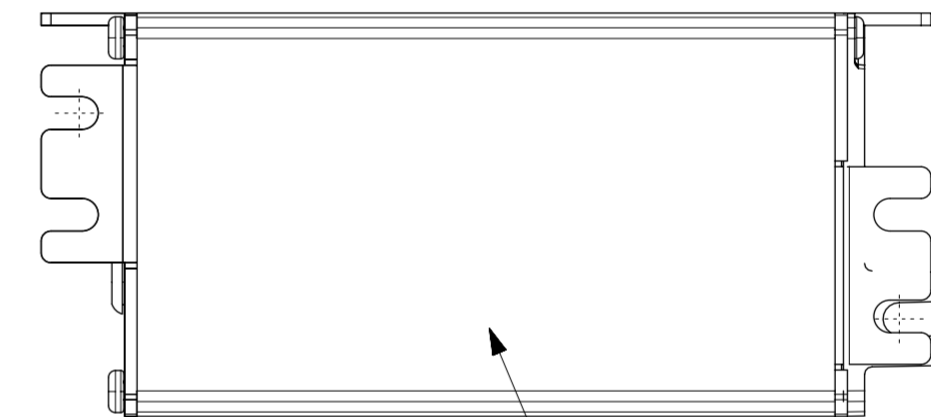
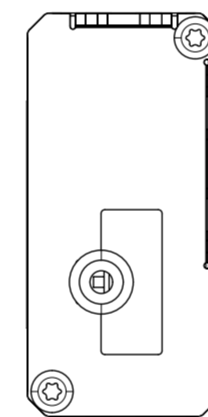
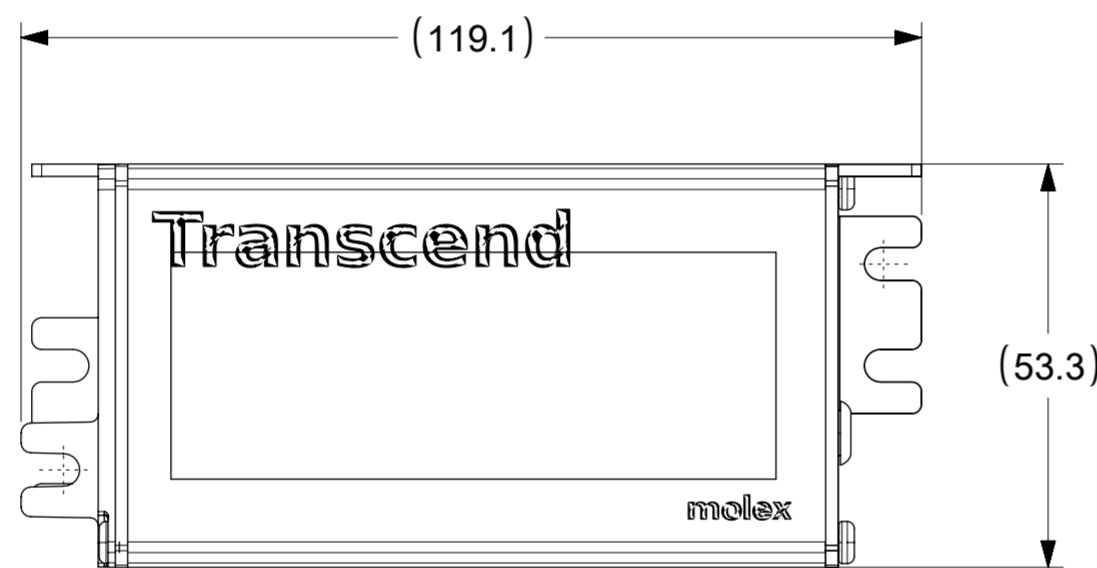
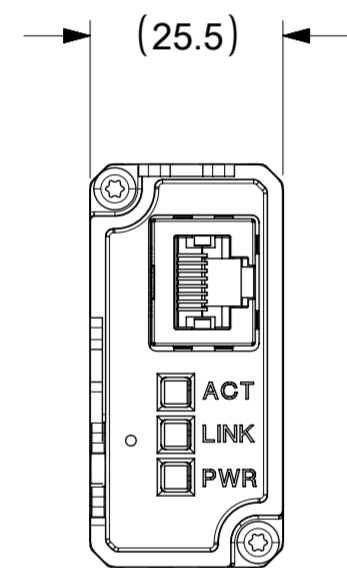


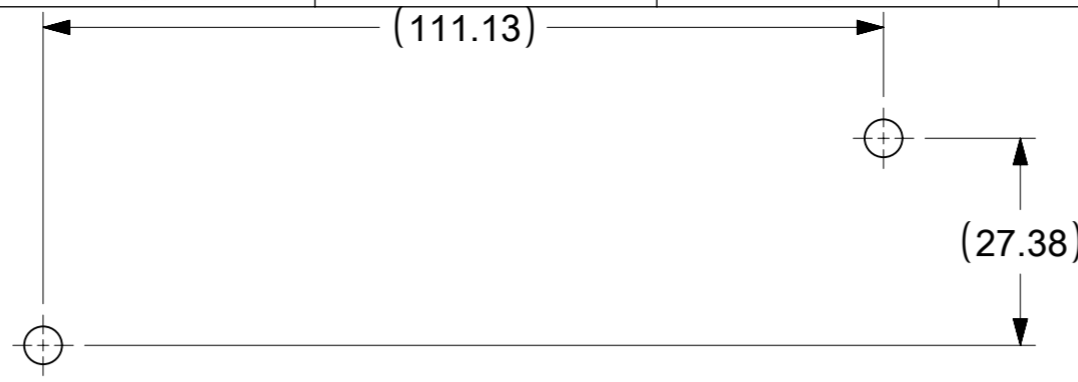
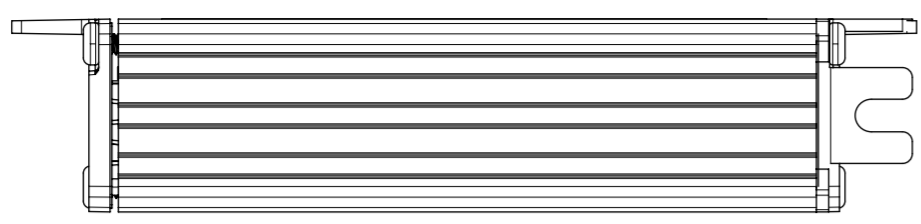
NOTES:

1. HOUSING EXTRUSION  
MATERIAL: ANODIZED ALUMINUM
2. DIE CAST END CAP LEFT & RIGHT  
MATERIAL: ALUMINUM, A380  
FINISH: a. TEXTURED POWDER COAT, BLACK  
b. GREY WET PAINT
3. PRODUCT PACKAGING LABEL CONTAINS QR CODE FOR INSTALLATION INSTRUCTIONS AND WHERE QR CODE IS NOT AVAILABLE HARD COPY WILL BE SUPPLIED.



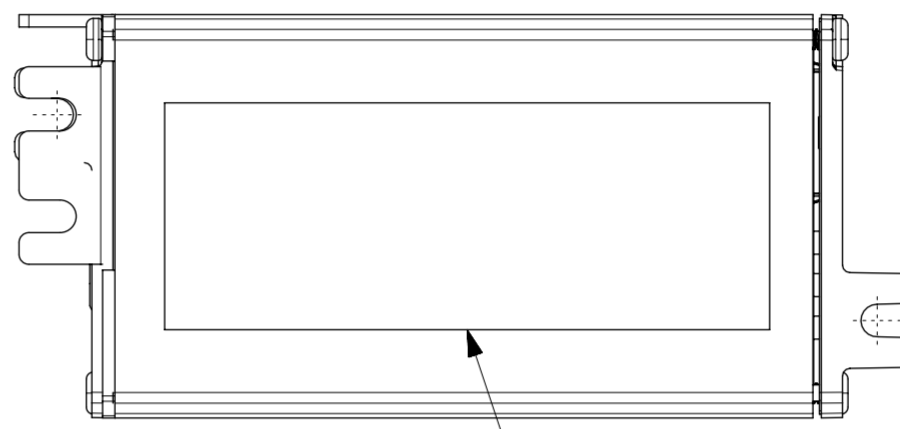
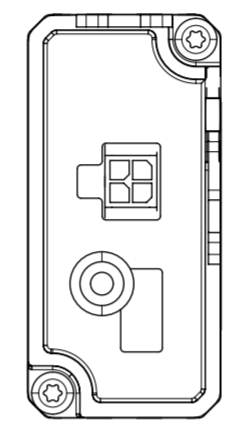
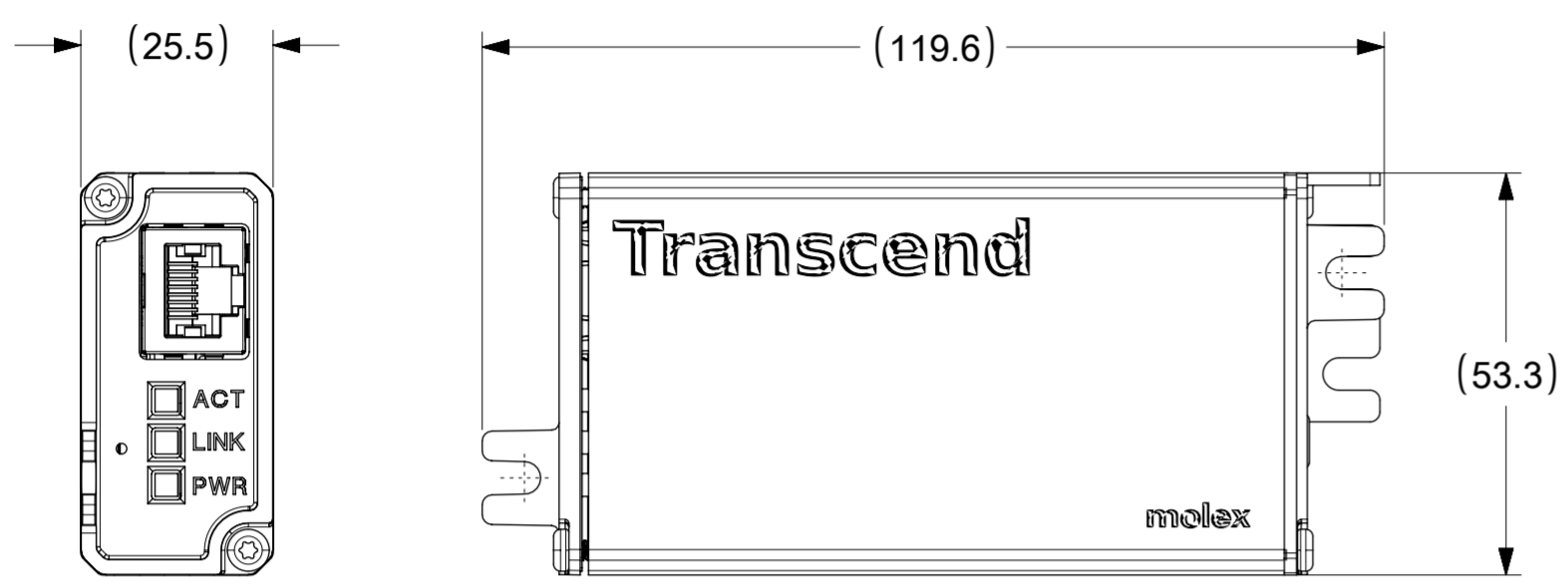
MOUNTING HOLE LOCATION  
HOLES FOR A #8-32 SELF TAPPING SCREW

FUNCTIONAL SYMBOLS	THIS DRAWING CONTAINS INFORMATION THAT IS PROPRIETARY TO MOLEX ELECTRONIC TECHNOLOGIES, LLC AND SHOULD NOT BE USED WITHOUT WRITTEN PERMISSION										
	DIMENSION UNITS	SCALE	CURRENT REV DESC:							<b>molex</b>	
$\frac{F}{A} = 0$	MM/INCH	1:1									
$\frac{F}{C} = 0$	GENERAL TOLERANCES (UNLESS SPECIFIED)									POE GATEWAYS STAND ALONE ASSY	
$\frac{F}{P} = 0$	ANGULAR TOL $\pm$ °									PRODUCT CUSTOMER DRAWING	
DIVISIONAL SYMBOLS	4 PLACES	$\pm$	EC NO: 659800		2021/04/02						
	3 PLACES	$\pm$	DRWN: UKOWSHIKARAN		2021/04/29						
	2 PLACES	$\pm$ 0.25	CHK'D: RCG		2021/04/29						
	1 PLACE	$\pm$ 0.5	APPR: RCG		2021/04/29						
	0 PLACES	$\pm$	INITIAL REVISION:								
DRAFT WHERE APPLICABLE MUST REMAIN WITHIN DIMENSIONS		THIRD ANGLE PROJECTION	DRAWING	SERIES	MATERIAL NUMBER	CUSTOMER	DOCUMENT NUMBER	DOC TYPE	DOC PART	REVISION	
			A2-SIZE	180993	SEE CHART	GENERAL MARKET	1809930001	PSD	000	B	



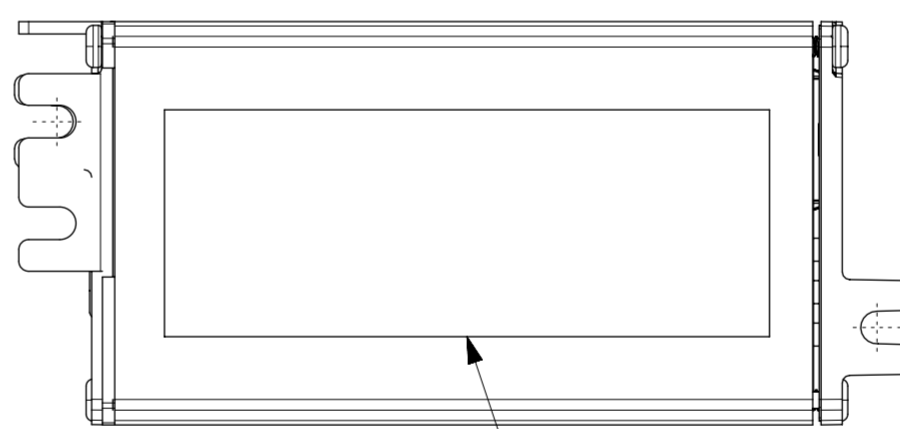
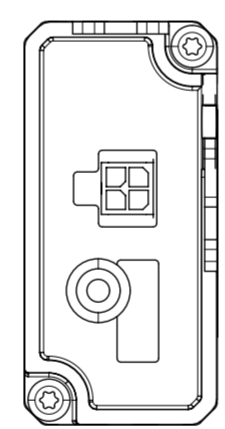
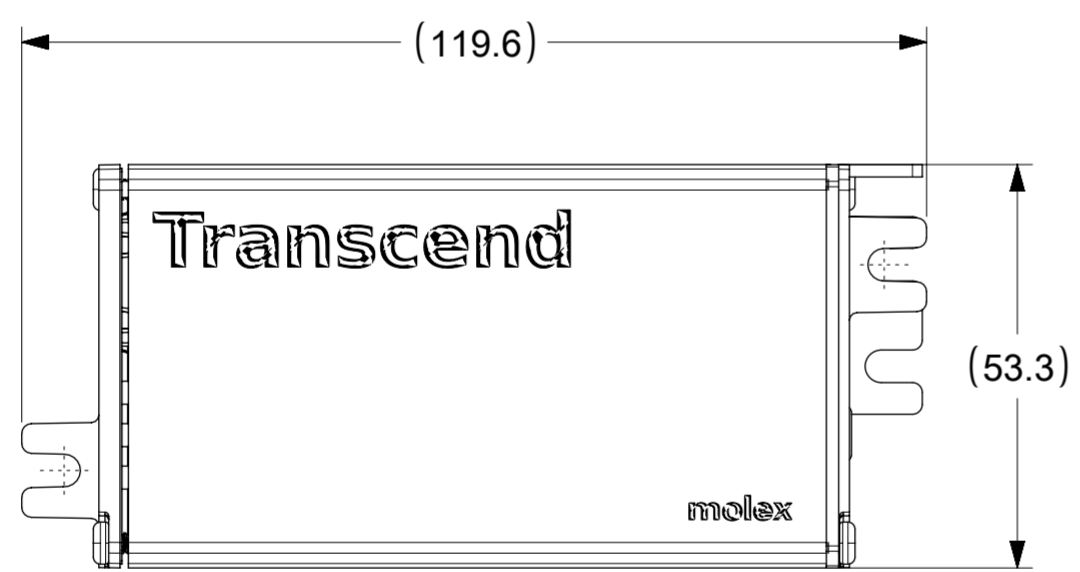
MOUNTING HOLE LOCATION  
HOLES FOR A #8-32 SELF TAPPING SCREW

- NOTES:
- HOUSING EXTRUSION  
MATERIAL: ANODIZED ALUMINUM
  - DIE CAST END CAP LEFT & RIGHT  
MATERIAL: ALUMINUM, A380  
FINISH: a. TEXTURED POWDER COAT, BLACK  
b. GREY WET PAINT
  - PRODUCT PACKAGING LABEL CONTAINS QR CODE FOR INSTALLATION INSTRUCTIONS AND WHERE QR CODE IS NOT AVAILABLE HARD COPY WILL BE SUPPLIED.



ETL LABEL

180993-2011, -2012, -2021, -2022



ETL LABEL

180993-2041, -2042

FUNCTIONAL SYMBOLS	THIS DRAWING CONTAINS INFORMATION THAT IS PROPRIETARY TO MOLEX ELECTRONIC TECHNOLOGIES, LLC AND SHOULD NOT BE USED WITHOUT WRITTEN PERMISSION		
	DIMENSION UNITS	SCALE	CURRENT REV DESC:
$\nabla_A = 0$	MM/INCH	1:1	EC NO: 659800 DRWN: UKOWSHIKARAN 2021/04/02 CHK'D: RCG 2021/04/29 APPR: RCG 2021/04/29
$\nabla_C = 0$	GENERAL TOLERANCES (UNLESS SPECIFIED)		
$\nabla_P = 0$	ANGULAR TOL	$\pm$ °	INITIAL REVISION: DRWN: GALLEN02 2017/12/12 APPR: JAGRO 2018/10/03
DIVISIONAL SYMBOLS	4 PLACES	$\pm$	
	3 PLACES	$\pm$	2017/12/12
	2 PLACES	$\pm$ 0.25	2018/10/03
	1 PLACE	$\pm$ 0.5	
	0 PLACES	$\pm$	
	DRAFT WHERE APPLICABLE MUST REMAIN WITHIN DIMENSIONS	THIRD ANGLE PROJECTION	DRAWING SERIES
			A2-SIZE 180993
			MATERIAL NUMBER CUSTOMER SHEET NUMBER
			SEE CHART GENERAL MARKET 2 OF 4

**molex**

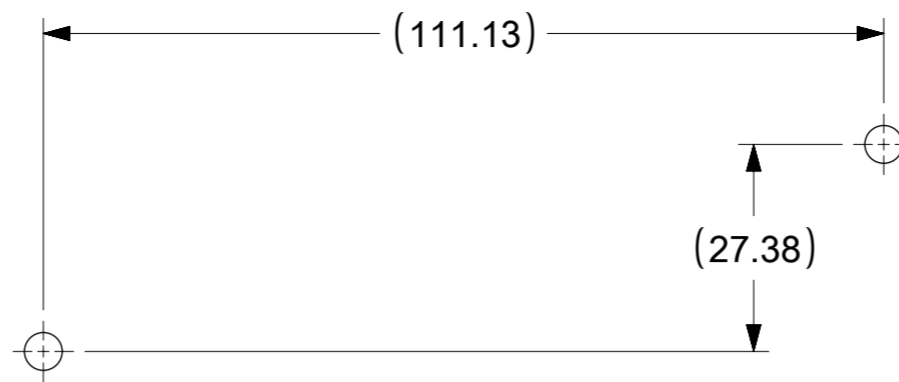
POE GATEWAYS  
STAND ALONE ASSY

PRODUCT CUSTOMER DRAWING

DOCUMENT NUMBER	DOC TYPE	DOC PART	REVISION
1809930001	PSD	000	B

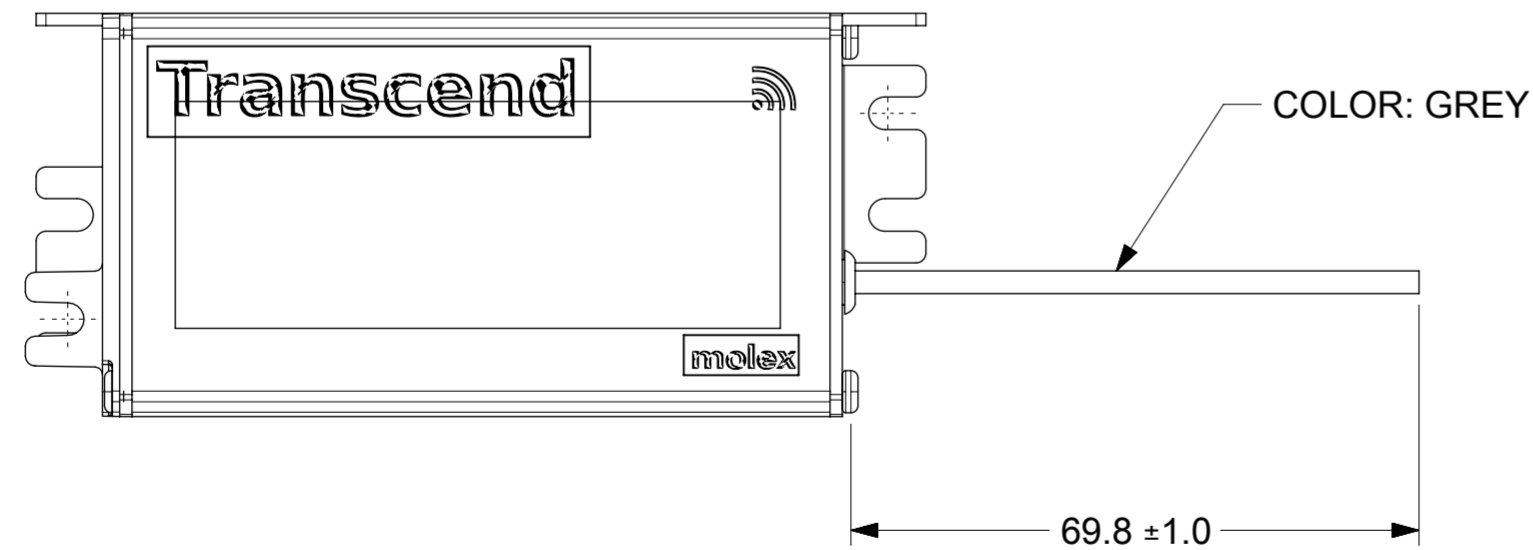
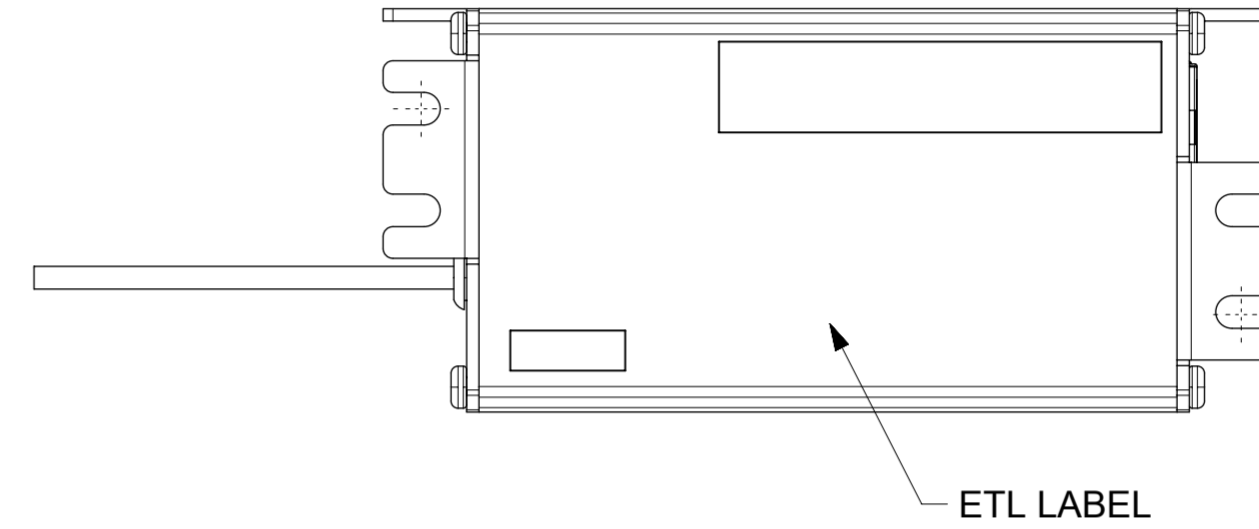
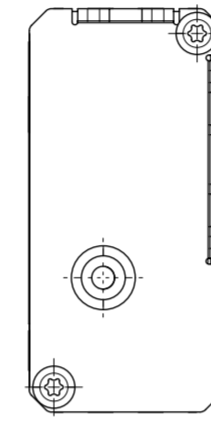
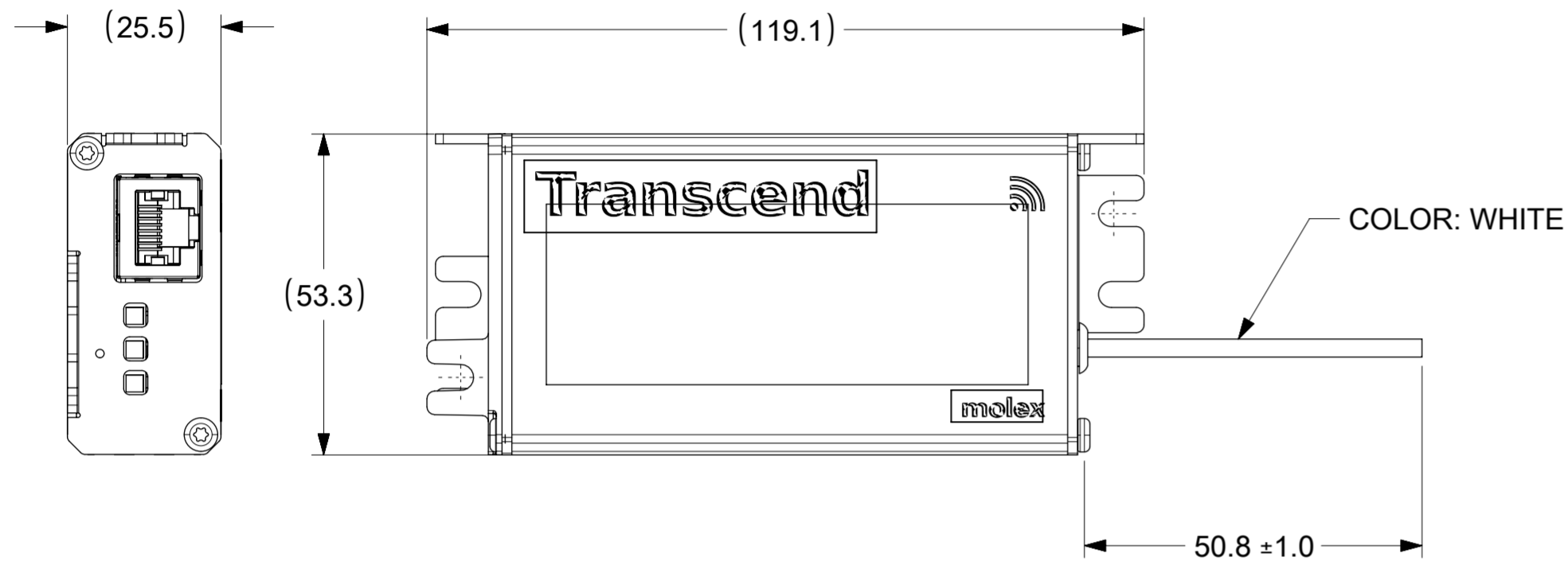


180993-3001



MOUNTING HOLE LOCATION  
HOLES FOR A #8-32 SELF TAPPING SCREW

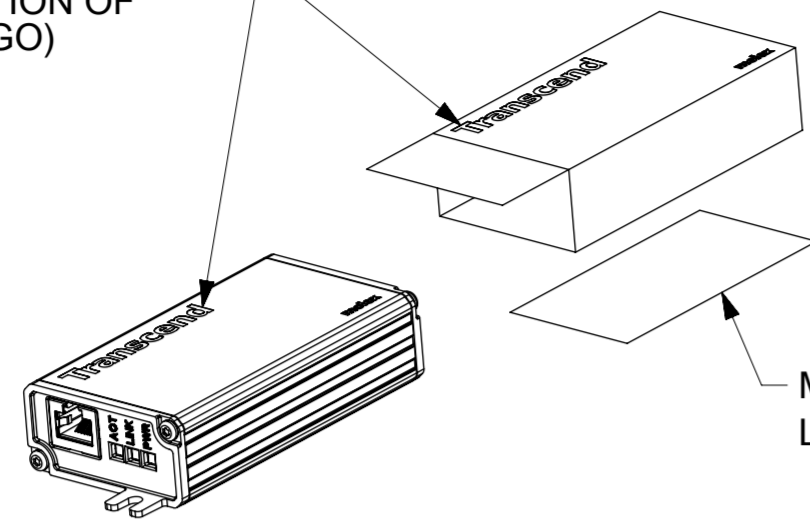
- NOTES:
- HOUSING EXTRUSION  
MATERIAL: ANODIZED ALUMINUM
  - DIE CAST END CAP LEFT & RIGHT  
MATERIAL: ALUMINUM, A380  
FINISH: a. TEXTURED POWDER COAT, BLACK  
b. GREY WET PAINT
  - PRODUCT PACKAGING LABEL CONTAINS QR CODE FOR INSTALLATION INSTRUCTIONS AND WHERE QR CODE IS NOT AVAILABLE HARD COPY WILL BE SUPPLIED.



180993-3002

FUNCTIONAL SYMBOLS	THIS DRAWING CONTAINS INFORMATION THAT IS PROPRIETARY TO MOLEX ELECTRONIC TECHNOLOGIES, LLC AND SHOULD NOT BE USED WITHOUT WRITTEN PERMISSION											
	DIMENSION UNITS	SCALE	CURRENT REV DESC:								<b>molex</b>	
$\frac{F}{A} = 0$	MM/INCH	1:1	EC NO: 659800									
$\frac{F}{C} = 0$	GENERAL TOLERANCES (UNLESS SPECIFIED)		DRWN: UKOWSHIKARAN 2021/04/02									
$\frac{F}{P} = 0$	ANGULAR TOL ± °		CHK'D: RCG 2021/04/29									
DIVISIONAL SYMBOLS	4 PLACES ±		APPR: RCG 2021/04/29									
	3 PLACES ±		INITIAL REVISION:									
	2 PLACES ± 0.25		DRWN: GALLEN02 2017/12/12									
	1 PLACE ± 0.5		APPR: JAGRO 2018/10/03									
0 PLACES ±		DRAFT WHERE APPLICABLE MUST REMAIN WITHIN DIMENSIONS		THIRD ANGLE PROJECTION	DRAWING	SERIES	MATERIAL NUMBER	CUSTOMER	DOCUMENT NUMBER	DOC TYPE	DOC PART	REVISION
					A2-SIZE	180993	SEE CHART	GENERAL MARKET	1809930001	PSD	000	B

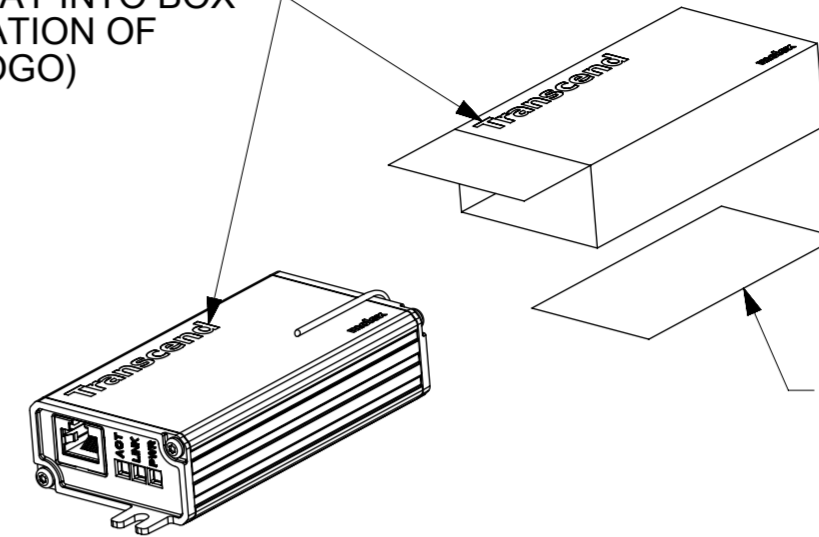
INSERT GATEWAY INTO BOX  
(NOTE ORIENTATION OF  
TRANSCEND LOGO)



MFG/WAREHOUSE  
LABEL (SEE NOTE 3a)

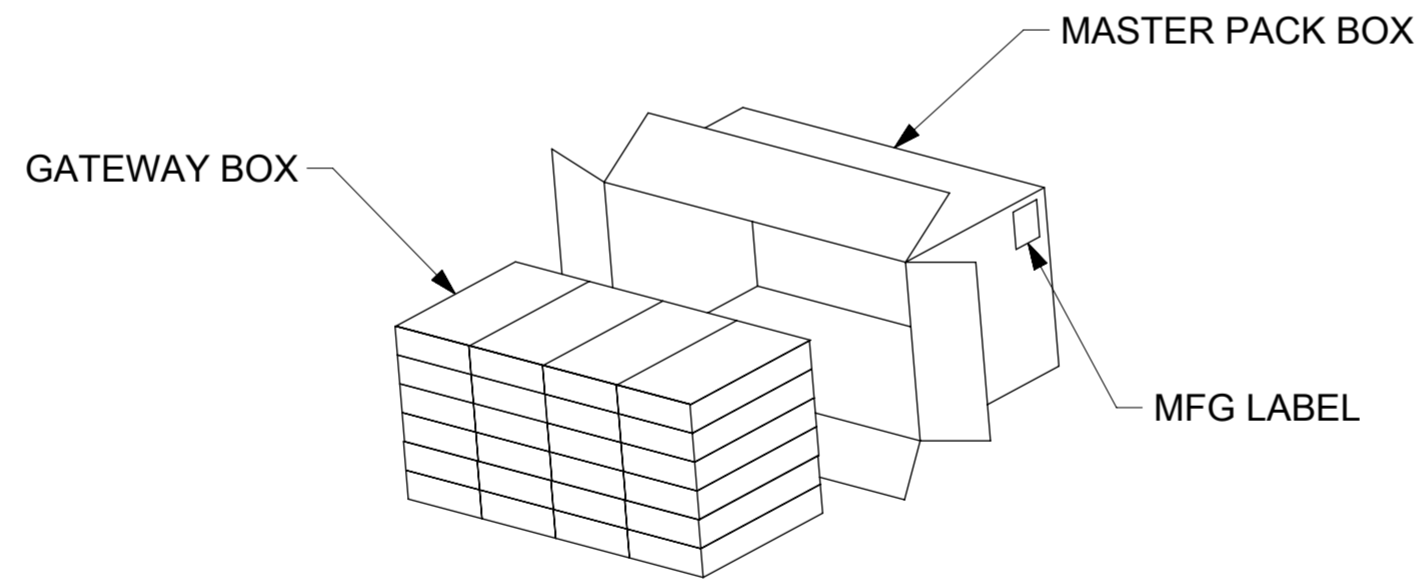
180993-0001, -2011, -2012, -2021, -2022,  
-2041, -2042

INSERT GATEWAY INTO BOX  
(NOTE ORIENTATION OF  
TRANSCEND LOGO)



MFG/WAREHOUSE  
LABEL (SEE NOTE 3b)

180993-3001, 180993-3002



NOTES:

1. PLACE GATEWAY ASSEMBLY INTO BOX AS SHOWN.
2. PLACE 24 GATEWAY BOXES INTO MASTERPACK.
3. PRODUCT PACKAGING LABEL CONTAINS QR CODE FOR INSTALLATION INSTRUCTIONS AND WHERE QR CODE IS NOT AVAILABLE HARD COPY WILL BE SUPPLIED.

THIS DRAWING CONTAINS INFORMATION THAT IS PROPRIETARY TO MOLEX ELECTRONIC TECHNOLOGIES, LLC AND SHOULD NOT BE USED WITHOUT WRITTEN PERMISSION										
FUNCTIONAL SYMBOLS	DIMENSION UNITS	SCALE	CURRENT REV DESC:							
	$\frac{F}{A} = 0$	MM/INCH	1:1	<p><b>molex</b></p> <p>POE GATEWAYS STAND ALONE ASSY</p> <p>PRODUCT CUSTOMER DRAWING</p>						
$\frac{F}{C} = 0$	GENERAL TOLERANCES (UNLESS SPECIFIED)		EC NO: 659800							
$\frac{F}{P} = 0$	ANGULAR TOL $\pm$ °		4 PLACES $\pm$	DRWN: UKOWSHIKARAN	2021/04/02	2021/04/29	2021/04/29	2021/04/29	2021/04/29	
DIVISIONAL SYMBOLS	3 PLACES $\pm$		3 PLACES $\pm$	CHK'D: RCG	2021/04/29	2021/04/29	2021/04/29	2021/04/29	2021/04/29	
	2 PLACES $\pm$ 0.25		2 PLACES $\pm$ 0.25	APPR: RCG	2021/04/29	2021/04/29	2021/04/29	2021/04/29	2021/04/29	
	1 PLACE $\pm$ 0.5		1 PLACE $\pm$ 0.5	INITIAL REVISION:	DRWN: GALLEN02	2017/12/12	2017/12/12	2017/12/12	2017/12/12	
	0 PLACES $\pm$		0 PLACES $\pm$	APPR: JAGRO	2018/10/03	2018/10/03	2018/10/03	2018/10/03	2018/10/03	
DRAFT WHERE APPLICABLE MUST REMAIN WITHIN DIMENSIONS			THIRD ANGLE PROJECTION	DRAWING	SERIES	MATERIAL NUMBER	CUSTOMER	DOC TYPE	DOC PART	REVISION
				A2-SIZE	180993	SEE CHART	GENERAL MARKET	PSD	000	B

DOCUMENT STATUS	P1	RELEASE DATE	2021/04/29	12:21:06
-----------------	----	--------------	------------	----------