



# Product Change Notification

## TE Connectivity

Product Change Notification: P-17-014817

PCN Date: 07-SEP-17

TE would like to inform you of the following change(s) to the listed TE Connectivity Product. In case of any further questions about this change(s), please contact your TE Connectivity Sales Engineer. Affected part, drawing and/or specification numbers are listed on the attached sheet(s).

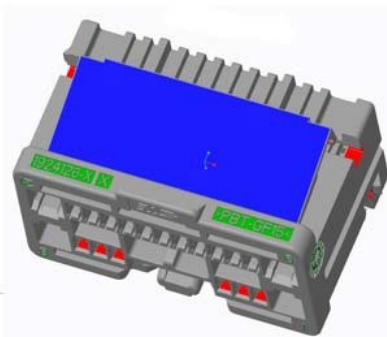
**General Product Description:**

21p Hybrid - 1pc Unsealed Plug, Key A

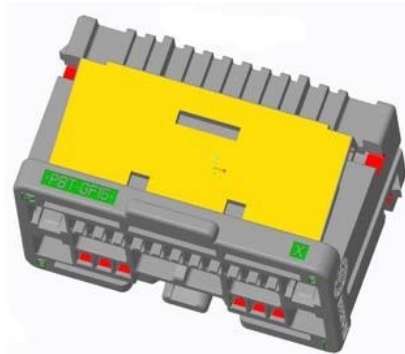
**Description of Changes**

Core out windows that were in the original tool parts are being added to the newer capacity mold. See pictures depicting 3 windows in the secondary lock opposite the latch. These are non-functional to the finished product function.

**Current**



**Change**



**Reason for Changes:**

Product improvement. These core outs add support to the mold tooling that produces a portion of the terminal cavities. The added support will limit tool movement during plastic injection molding and significantly reduce the chances of flash in the terminal circuits, which will help reduce terminal insertion issues.

**Estimated Dates:**

Last Order Date (Obsolete Parts Only):	First Date To Ship (Changed Parts Only):
	06-NOV-2017
Last Ship Date (Obsolete Parts Only):	Last Date for Mixed Shipments: (Changed Parts Only):
	No Mixed Shipments

**Part Number(s) being Modified:**

Part Number	Part Discontinued per PCN	Customer Drawing	Customer Part Number	Alias Part Number(s)	Substitute Part Number	Substitute Alias Part Number(s)	Description Of Difference
<a href="#">1924126-1</a>	NO						

**Part Number(s) being Modified:**

Part Number	Part Discontinued per PCN	Customer Drawing	Customer Part Number	Alias Part Number(s)	Substitute Part Number	Substitute Alias Part Number(s)	Description Of Difference
<a href="#">1924126-1</a>	NO						

**Part Number(s) being Modified:**

Part Number	Part Discontinued per PCN	Customer Drawing	Customer Part Number	Alias Part Number(s)	Substitute Part Number	Substitute Alias Part Number(s)	Description Of Difference
<a href="#">1924126-1</a>	NO						