

NOTES

- 1 材料及び仕上げ(めっき仕様) : TABLE 1 参照
MATERIAL AND FINISHES : SEE TABLE 1
- 2 製品仕様書 : 5011890000-PS 001
PRODUCT SPECIFICATION:
- 3 梱包形態 : SEE SHEET 3
PACKAGING INFORMATION:
- 4 嵌合相手 : 501189 シリーズ
MATES WITH:501189 SERIES
- 5 アプリケーション仕様書(コネクタ取扱い説明書) : 5011890000-AS 000
APPLICATION SPECIFICATION(CONNECTOR MANUAL):
- 6 ソルダーピン及びネイルの平坦度:0.1 mm MAX.
SOLDER PIN AND NAIL COPLANARITY: 0.1 mm MAX.
- 7 極数/2=偶数に適応
APPLICABLE FOR CIRCUIT SIZE/2 = EVEN
- 8 本製品は複数の金めっき厚を展開しております。その他の金めっき厚は以下の図面を御参照下さい。
THIS PRODUCT EXIST MULTIPLE GOLD PLATING.
PLEASE REFER TO THE FOLLOWING DRAWING FOR OTHER GOLD PLATING THICKNESS.

GOLD PLATING THICKNESS [MICRO-METER MIN.]	SERIES No.	DRAWING No.
0.1	501190	5011900000-SD PSD 000
0.38	203564	2035640000-SD PSD 000

- 9 発注番号 : TABLE 2 参照
ORDER No. : SEE TABLE 2

203565 ** ** *

極数 CIRCUIT SIZE	ハウジングカラー HOUSING COLOR	製品識別番号 IDENTIFICATION NUMBER
	1:NATURAL(BEIGE)	7:EMBOSSED PACKAGE

TABLE 2

HOUSING COLOR			極数 CIRCUIT SIZE
NATURAL(WHITE)			
26.8	24.0	27.3	50
21.8	19.0	22.3	40
16.8	14.0	17.3	30
11.8	9.0	12.3	20
C	B	A	発注番号 ORDER No.
極数別 寸法 DIMENSION			梱包形態 : エンボスリール PACKAGE:EMBOSSED REEL

THIS DRAWING CONTAINS INFORMATION THAT IS PROPRIETARY TO MOLEX ELECTRONIC TECHNOLOGIES, LLC AND SHOULD NOT BE USED WITHOUT WRITTEN PERMISSION		CURRENT REV DESC:		molex	
DIMENSION UNITS	SCALE				
mm	NTS			PICO-CLASP 1.0 W/B DUAL ROW VT SMT GOLD PLATING 0.76 MICRO-METER	
GENERAL TOLERANCES (UNLESS SPECIFIED)		EC NO: 615136		DOCUMENT NUMBER	
ANGULAR TOL ± 3.0°		DRWN: AISHIKAWA 2019/09/06		2035650000-SD	
4 PLACES ± 0.2		CHK'D: AIDA 2019/09/11		DOC TYPE	
3 PLACES ± 0.2		APPR: SAKIYAMA 2019/09/17		PSD	
2 PLACES ± 0.2		INITIAL REVISION:		DOC PART	
1 PLACE ± 0.2		DRWN: AISHIKAWA 2019/03/29		000	
0 PLACES ± 0.2		APPR: KOMURAKAMI 2019/04/03		B	
DRAFT WHERE APPLICABLE MUST REMAIN WITHIN DIMENSIONS		THIRD ANGLE PROJECTION	DRAWING	SERIES	MATERIAL NUMBER
			A3-SIZE	203565	SEE SHEET 5
				CUSTOMER	SHEET NUMBER
					1 OF 4

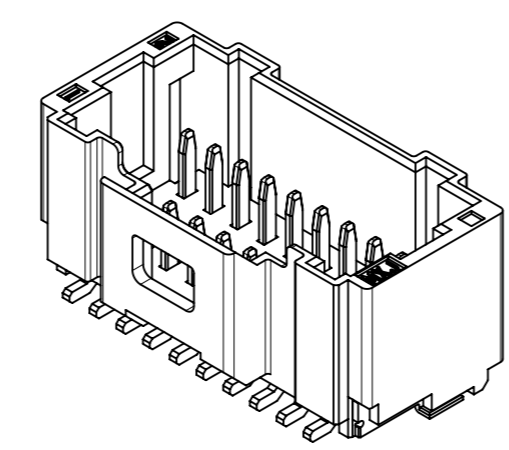
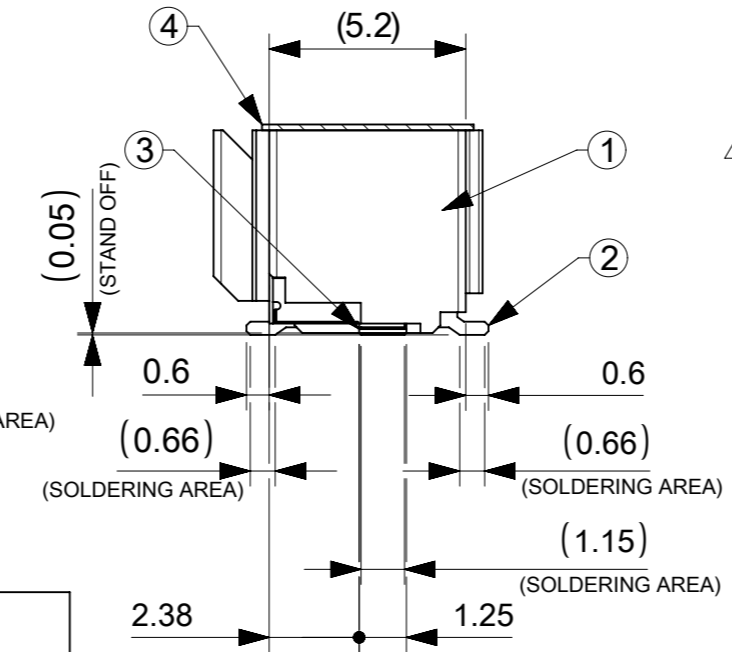
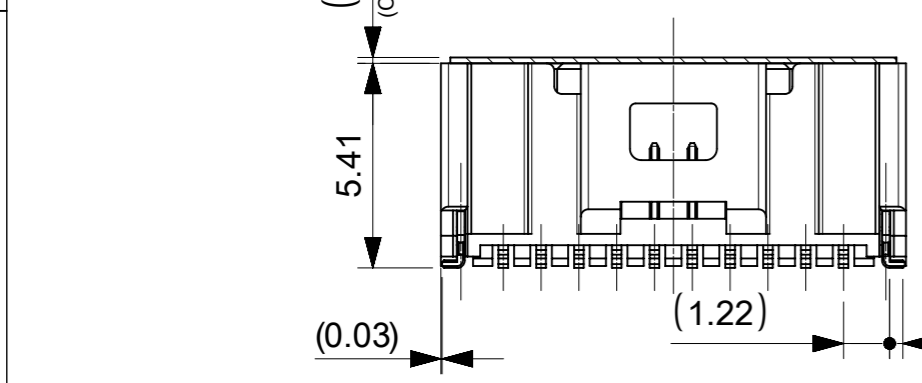
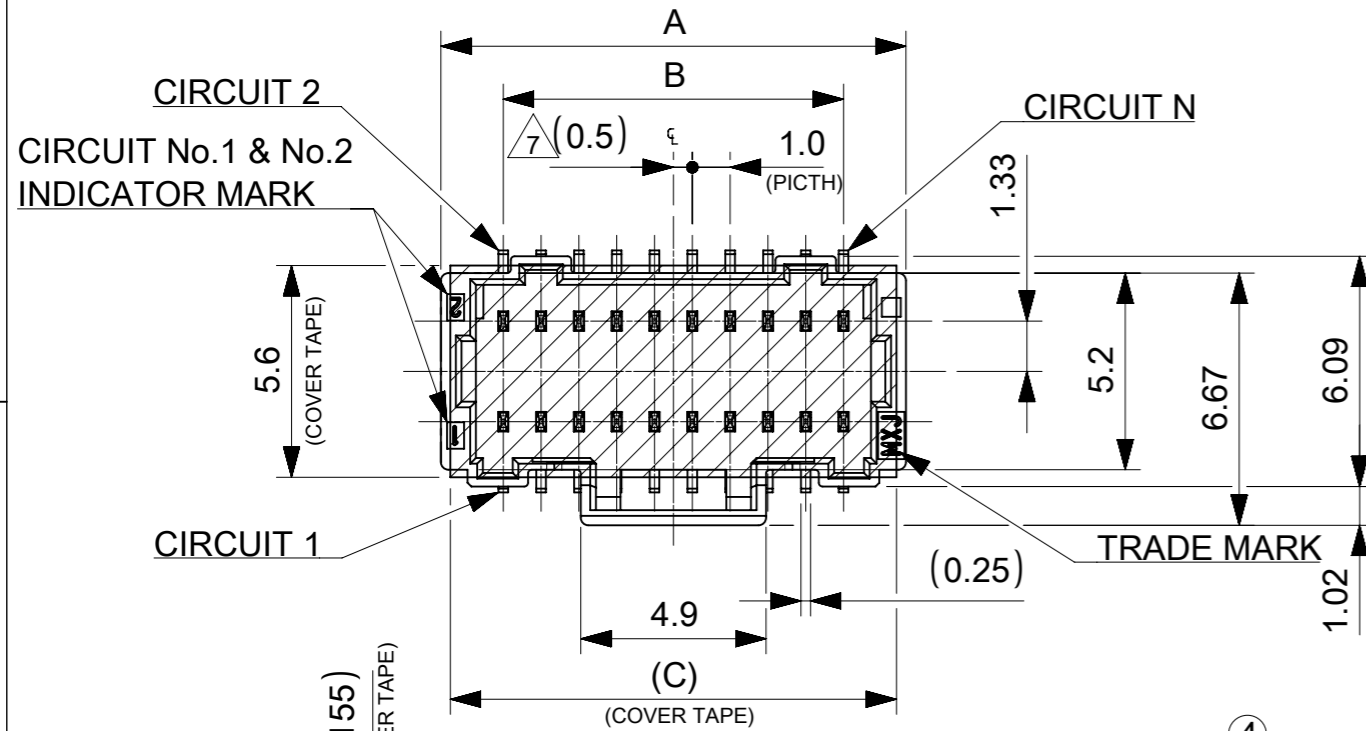
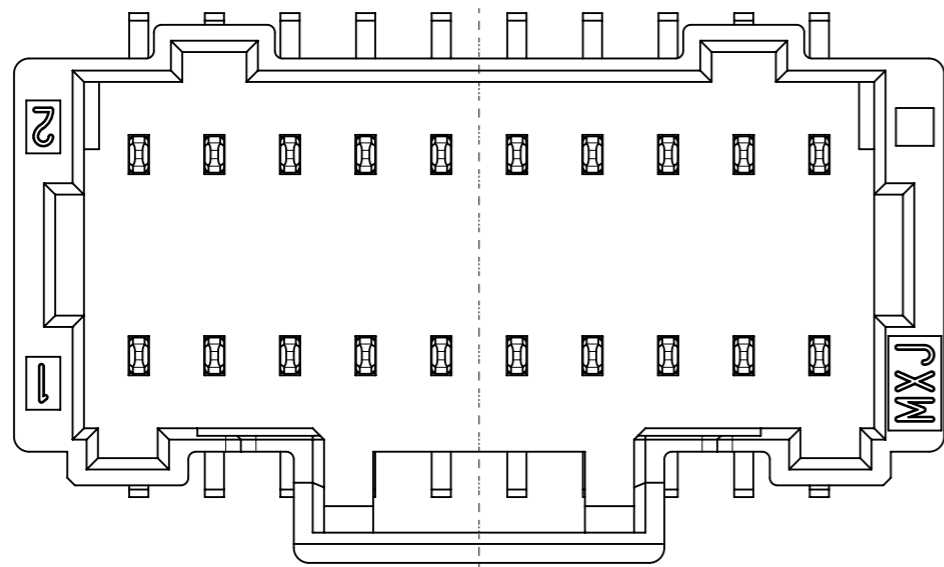
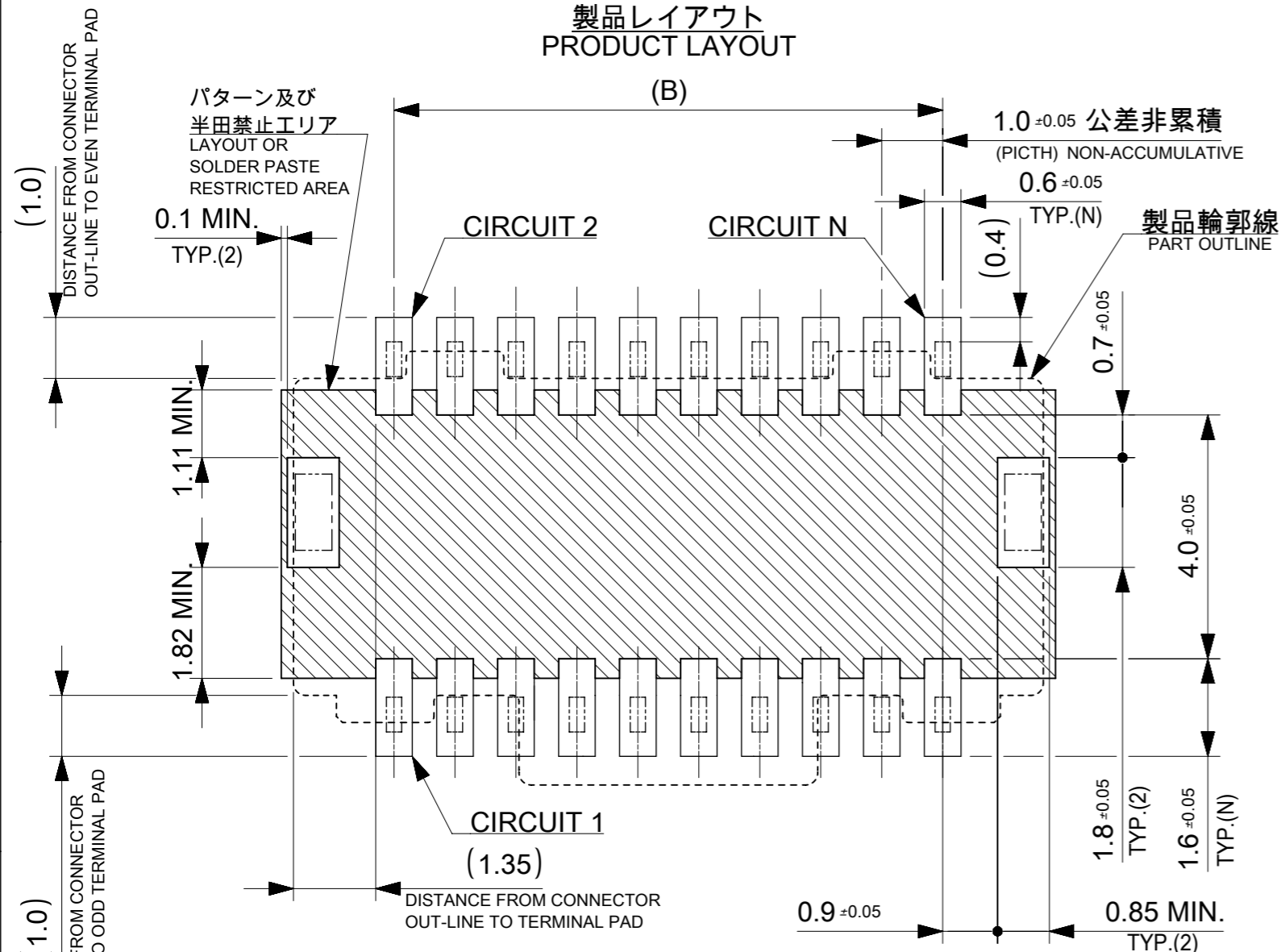


TABLE 1

番号 NO.	部品 PART	材質 MATERIAL	
1	ウエハー WAFER	ポリアミド(PA), UL94V-0, 色 : SEE SHEET 5 POLYAMIDE(PA), UL94V-0, COLOR : SEE SHEET 5	
2	ソルダーピン SOLDER PIN	リン青銅 PHOSPHOR BRONZE	
		接点部 CONTACT AREA	金めっき : 0.76 MICRO-METER MIN. GOLD PLATING
		テール部 TAIL AREA	金めっき GOLD PLATING
3	ネイル NAIL	下地めっき UNDER PLATING	ニッケルめっき : 1.27 MICRO-METER MIN. NICKEL
		リン青銅 PHOSPHOR BRONZE	
4	カバーテープ COVER TAPE	テール部 TAIL AREA	錫めっき : 1.0 MICRO-METER MIN. MATTE TIN PLATING
		下地めっき UNDER PLATING	ニッケルめっき : 1.0 MICRO-METER MIN. NICKEL
		ポリイミドテープ POLYIMIDE TAPE	




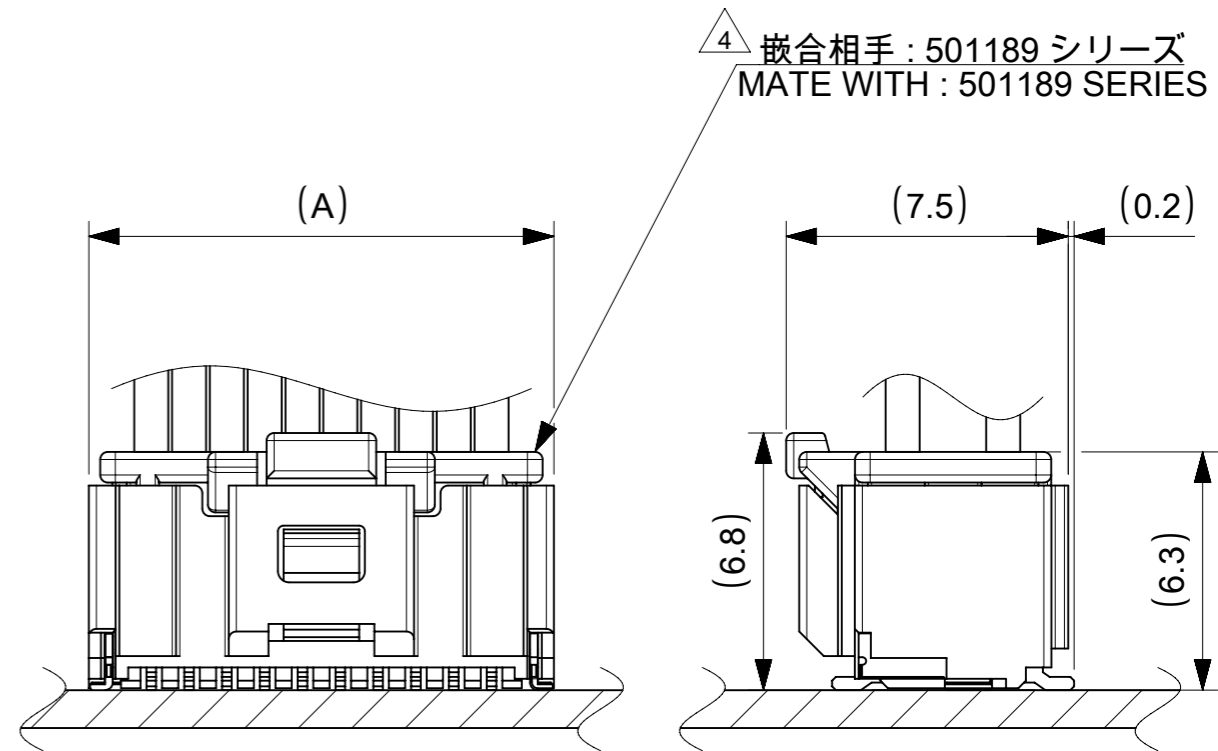
製品レイアウト
PRODUCT LAYOUT



推奨基板レイアウト(全極数適応) : 実装面側
(参考 : 基板厚 1.0mm, メタルマスク厚さ 0.12mm, マスク開口率100%)

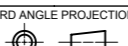
POLARIZED RECOMMENDED PCB LAYOUT(APPLY TO ALL CIRCUIT) : COMPONENT SIDE
(REFERENCE: PCB THICKNESS 1.0mm, STENCIL THICKNESS 0.12mm, APERTURE RATIO 100%)

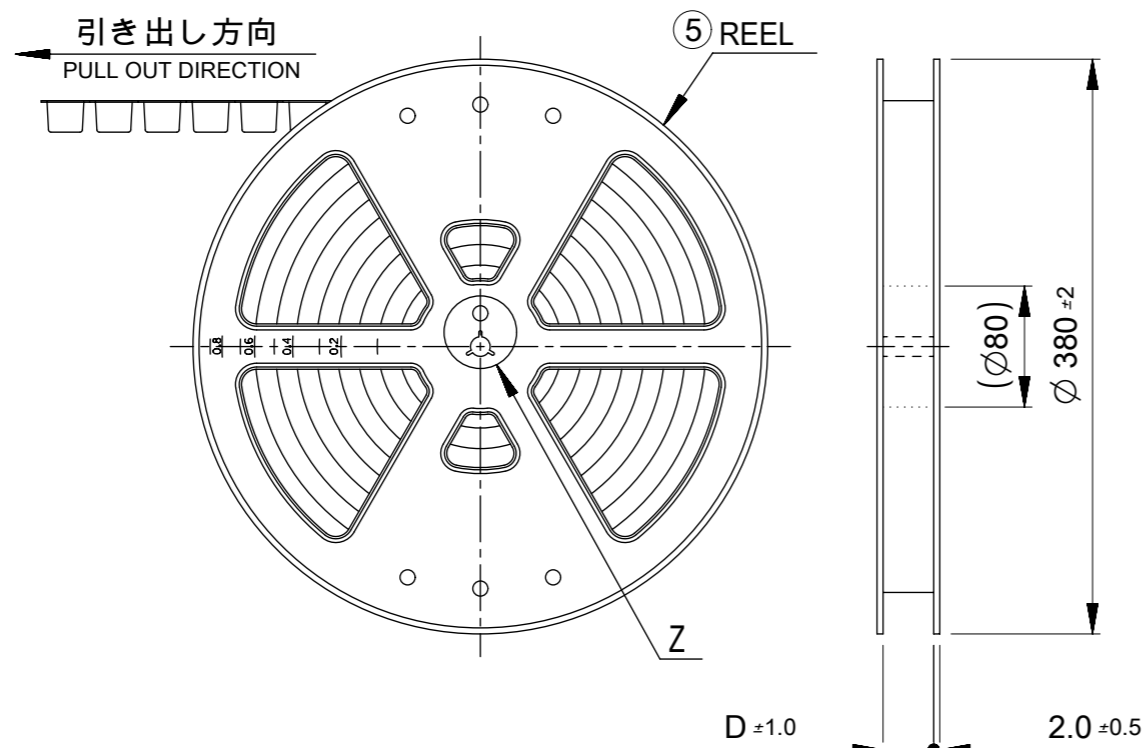
 :パターン禁止エリア
RESTRICTED AREA
NO PCB COMPONENTS ALLOWED



嵌合図
MATED CONNECTORS

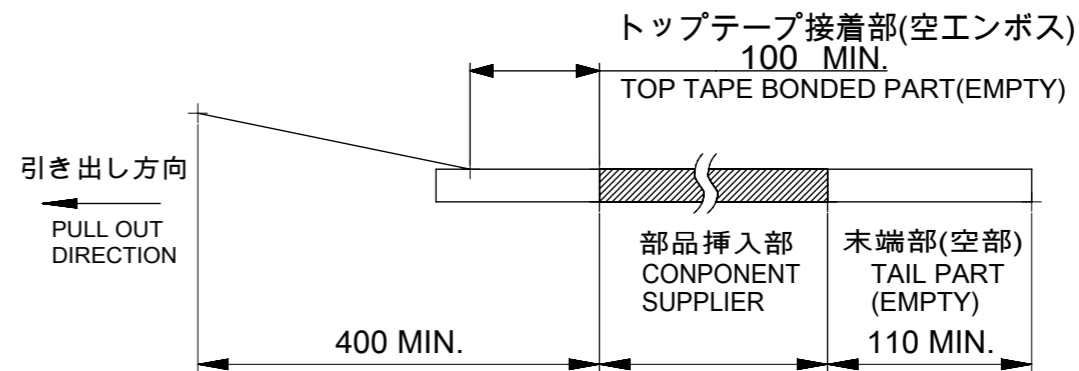
4 嵌合相手 : 501189 シリーズ
MATE WITH : 501189 SERIES

THIS DRAWING CONTAINS INFORMATION THAT IS PROPRIETARY TO MOLEX ELECTRONIC TECHNOLOGIES, LLC AND SHOULD NOT BE USED WITHOUT WRITTEN PERMISSION		CURRENT REV DESC:		molex	
DIMENSION UNITS	SCALE				
mm	NTS			PICO-CLASP 1.0 W/B DUAL ROW VT SMT GOLD PLATING 0.76 MICRO-METER	
GENERAL TOLERANCES (UNLESS SPECIFIED)		EC NO: 615136		DOCUMENT NUMBER	
ANGULAR TOL	± 3.0 °	DRWN: AISHIKAWA	2019/09/06	2035650000-SD	
4 PLACES	± 0.2	CHK'D: AIDA	2019/09/11	DOC TYPE	DOC PART
3 PLACES	± 0.2	APPR: SAKIYAMA	2019/09/17	PSD	000
2 PLACES	± 0.2	INITIAL REVISION:		REVISION	B
1 PLACE	± 0.2	DRWN: AISHIKAWA	2019/03/29		
0 PLACES	± 0.2	APPR: KOMURAKAMI	2019/04/03		
DRAFT WHERE APPLICABLE MUST REMAIN WITHIN DIMENSIONS	THIRD ANGLE PROJECTION	DRAWING	SERIES	MATERIAL NUMBER	CUSTOMER
		A3-SIZE	203565	SEE SHEET 5	

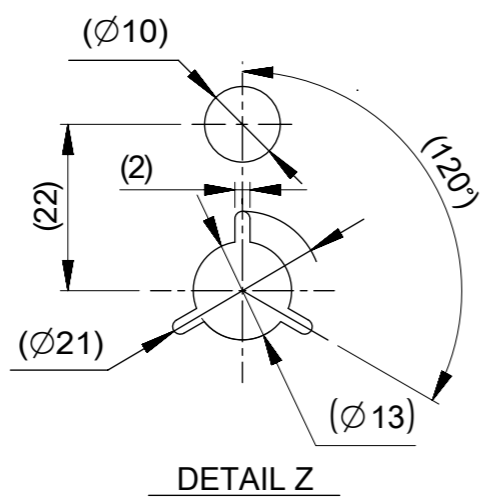


NOTES

- 10. 梱包数量:1100個/リール
NUMBER OF CONNECTORS : 1100 PIECES/REEL
- 11. リードテープ長さ
LEAD TAPE LENGTH



- 12. トップテープの剥離強度はIEC60286-3に準拠。
TOP TAPE PEELING FORCE IS DEFINED BY IEC60286-3.
- 13. 梱包仕様書 : 2035659200 PS 200
PACKAGE SPECIFICATION:



45.5	50
	40
33.5	30
25.5	20
D	極数 CIRCUIT SIZE

番号 NO.	部品 PART	材質 MATERIAL
⑤	リール REEL	ポリスチレン(PS) <リサイクル材を含む> POLYSTYRENE(PS) <RECYCLE MATERIAL CONTAINED>

DOCUMENT STATUS	P1	RELEASE DATE	2019/09/17	08:20:58
-----------------	----	--------------	------------	----------

THIS DRAWING CONTAINS INFORMATION THAT IS PROPRIETARY TO MOLEX ELECTRONIC TECHNOLOGIES, LLC AND SHOULD NOT BE USED WITHOUT WRITTEN PERMISSION		CURRENT REV DESC:		molex		
DIMENSION UNITS	SCALE					
mm	NTS			PICO-CLASP 1.0 W/B DUAL ROW VT SMT GOLD PLATING 0.76 MICRO-METER		
GENERAL TOLERANCES (UNLESS SPECIFIED)		EC NO: 615136		PRODUCT CUSTOMER DRAWING		
ANGULAR TOL	± 3.0 °	DRWN: AISHIKAWA	2019/09/06	DOCUMENT NUMBER		
4 PLACES	± 0.2	CHK'D: AIDA	2019/09/11	2035650000-SD		
3 PLACES	± 0.2	APPR: SAKIYAMA	2019/09/17	DOC TYPE	DOC PART	REVISION
2 PLACES	± 0.2	INITIAL REVISION:		PSD	000	B
1 PLACE	± 0.2	DRWN: AISHIKAWA	2019/03/29	MATERIAL NUMBER		
0 PLACES	± 0.2	APPR: KOMURAKAMI	2019/04/03	CUSTOMER		
DRAFT WHERE APPLICABLE MUST REMAIN WITHIN DIMENSIONS		THIRD ANGLE PROJECTION	DRAWING	SERIES	SHEET NUMBER	
			A3-SIZE	203565	SEE SHEET 5	3 OF 4

