

Driver LC 100W 24V 0-10V Ip SNC UNV

Constant voltage essence series

**Product description**

- _ Constant voltage LED Driver
- _ Universal input voltage range
- _ Class 2
- _ Type HL
- _ UL Listed Class P
- _ FCC Part 15
- _ Max. output power 99.6 W
- _ Nominal lifetime up to 50,000 h (at ta 113 °F)
- _ 5 years guarantee

Housing properties

- _ Casing: metal, white
- _ Dry and damp location

Interfaces

- _ Dimmable via 0 ... 10 V interface
- _ Single wires with tinned wire ends

Functions

- _ Overtemperature protection
- _ Overload protection
- _ Short-circuit protection
- _ No-load protection

Website

<http://www.tridonic.us/28002852>



Spotlights



Downlights



Linear



Area



Floor | Wall



Free-standing



Street

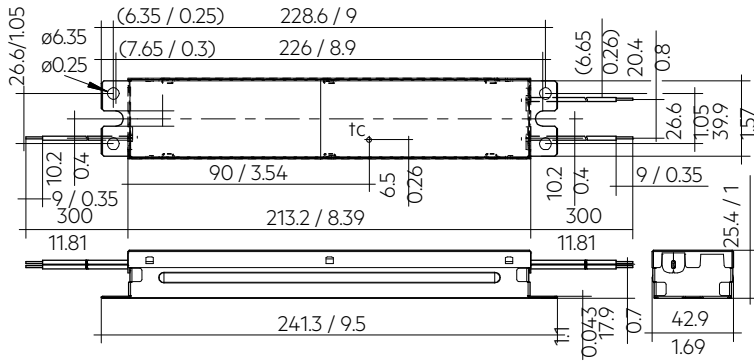


Decorative

Driver LC 100W 24V 0-10V Ip SNC UNV

Constant voltage essence series

The complete data sheet for this product is available in the Downloads section.



Dimensions in mm / inch

Ordering data

Type	Article number	Packaging, carton	Packaging, pallet	Weight per pc.
LC 100/24V 0-10V Ip SNC UNV	28002852	10 pc(s).	960 pc(s).	0.77 lbs

Technical data

Rated supply voltage	120 – 277 V
AC voltage range	108 – 305 V
Rated current (at 120 V, 60 Hz, full load)	0.95 A
Rated current (at 277 V, 60 Hz, full load)	0.45 A
Leakage current (at 120 V, 60 Hz, full load)	< 500 µA
Leakage current (at 230 V, 50 Hz, full load)	< 500 µA
Mains frequency	50 / 60 Hz
Efficiency (at 120 V 60 Hz, full load)	> 88 %
Efficiency (at 277 V 60 Hz, full load)	> 90 %
λ (at 120 V, 60 Hz, full load)	0.98
λ (at 277 V, 60 Hz, full load)	0.95
Typ. power consumption on stand-by (at 120 V, 60 Hz)	< 0.7 W
Typ. power consumption on stand-by (at 277 V, 60 Hz)	< 0.5 W
Typ. input current in no-load operation (at 120 V, 60 Hz)	50 mA
Typ. input current in no-load operation (at 277 V, 60 Hz)	37 mA
Typ. input power in no-load operation (at 120 V, 60 Hz)	0.75 W
Typ. input power in no-load operation (at 277 V, 60 Hz)	0.57 W
Output voltage tolerance	23.5 – 24.5 V
Max. output power	99.6 W
Output power range	0.1 – 99.6 W
Output LF current ripple (< 120 Hz, P-P)	< 1,000 mV
Starting time (output)	≤ 500 ms
Turn off time (output)	≤ 10 ms
Hold on time at power failure (output)	≤ 1 ms
THD (at 120 V, 60 Hz, full load) ①	< 10 %
THD (at 277 V, 60 Hz, full load) ①	< 20 %
Mains burst capability (between L - N)	1 kV
Mains surge capability (between L - N)	2 kV
Mains surge capability (between L/N - PE)	4 kV
Surge voltage at output side (against PE)	< 500 V
Ambient temperature ta	-40 ... +131 °F
Ambient temperature ta (at lifetime 50,000 h)	113 °F
Storage temperature ts	-40 ... +185 °F
Lifetime	up to 50,000 h
Guarantee	5 Year(s)
Dimensions L x W x H	9.5 x 1.69 x 1 inch
Hole spacing D	0.25 inch

Approval marks**Standards**

UL 8750, FCC PART 15

Specific technical data

Type	Max. casing temperature t _c	Output voltage	Max. input power (at 120 V, 60 Hz, full load)	Max. input power (at 277 V, 60 Hz, full load)	Output current range	Max. output voltage (U _{OUT})
LC 100/24V 0-10V Ip SNC UNV	194 °F	24 V	113 W	110 W	0 – 4.15 A	25.2 V

① Valid at 100 % dimming level.

② At failure mode.