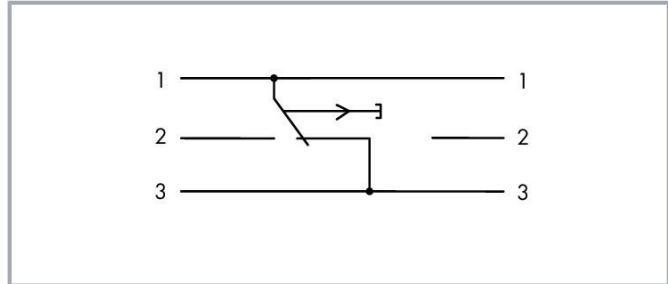


Data sheet | Item number: 286-896

Switching module; with momentary switch; Switching voltage: 250 VAC;

Switching current: 6 A; gray

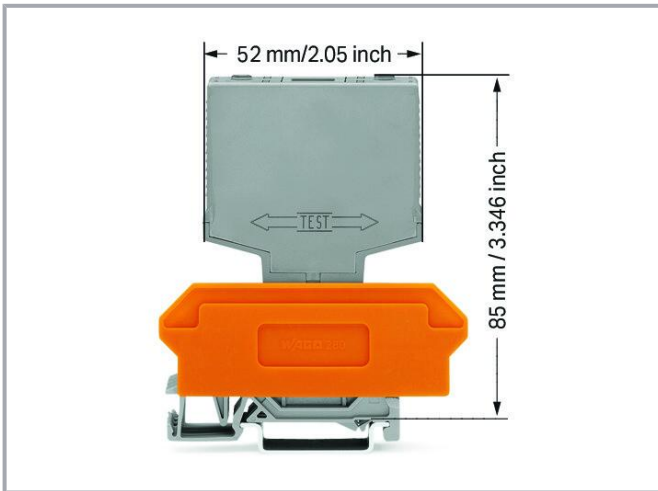
www.wago.com/286-896



Subject to changes. Please also observe the further product documentation!

WAGO GmbH & Co. KG
Hansastr. 27
32423 Minden
Phone: +49571 887-0 | Fax: +49571 887-169
Email: info.de@wago.com | Web: www.wago.com

Do you have any questions about our products?
We are always happy to take your call at +49 (571) 887-44222.



Data

Electrical data

Switching current (resistive) max.	6 A
Switching voltage (max.)	AC 250 V; DC 24 V
Electrical life (NO; resistive load; 23 °C)	50 x 10 ³ switching operations

Physical data

Width	15 mm / 0.591 inches
Height from upper-edge of DIN-rail	85 mm / 3.346 inches
Depth	52 mm / 2.047 inches

Mechanical Data

Mounting type	Pluggable module for receptacle terminal blocks
Housing design	Plug for carrier terminal blocks

Material Data

Color	gray
Fire load	4.167 MJ
Weight	19.5 g

Environmental requirements

Ambient temperature (operation)	-20 ... +40 °C
Relative humidity	5 ... 85 % (no condensation permissible)

Subject to changes. Please also observe the further product documentation!

Operating altitude (max.)	2000 m
---------------------------	--------

Commercial data


Product Group	6 (INTERFACE ELECTRONIC)
eCl@ss 10.0	27-37-16-01
eCl@ss 9.0	27-37-16-01
ETIM 8.0	EC001437
ETIM 7.0	EC001437
PU (SPU)	15 (1) pcs
Packaging type	box
Country of origin	DE
GTIN	4045454198190
Customs tariff number	85365080900

Environmental Product Compliance

RoHS Compliance Status	Compliant, No Exemption
------------------------	-------------------------

Approvals / Certificates

General approvals

Logo	Approval	Additional Approval Text	Certificate name
	EAC Brjansker Zertifizierungsstelle	TP TC 004/2011	EAC RU C-DE.AM02.B.00122/19

Optional accessories

Marking accessories

Marker



Item no.: 209-701
WSB marking card; as card; not stretchable; plain; snap-on type; white

www.wago.com/209-701

Terminal blocks

Terminal block for pluggable modules



Item no.: 280-619
Terminal block for pluggable modules; 6-pole; with 2-conductor terminal blocks; with orange separator; www.wago.com/280-619
for DIN-rail 35 x 15 and 35 x 7.5; 2.5 mm²; CAGE CLAMP®; 2,50 mm²; gray

Subject to changes. Please also observe the further product documentation!

WAGO GmbH & Co. KG
Hansastr. 27
32423 Minden
Phone: +49571 887-0 | Fax: +49571 887-169
Email: info.de@wago.com | Web: www.wago.com

Do you have any questions about our products?
We are always happy to take your call at +49 (571) 887-44222.



Item no.: 280-609

Terminal block for pluggable modules; 6-pole; with 4-conductor terminal blocks; with orange separator; for DIN-rail 35 x 15 and 35 x 7.5; 2.5 mm²; CAGE CLAMP®; 2,50 mm²; gray

www.wago.com/280-609



Item no.: 280-763

Terminal block for pluggable modules; 6-pole; with 4-conductor terminal blocks; with marker carrier; with orange separator; for DIN-rail 35 x 15 and 35 x 7.5; 2.5 mm²; CAGE CLAMP®; 2,50 mm²; gray

www.wago.com/280-763

Downloads

Documentation

Bid Text

286-896 X81 - Datei	2019 Feb 19	xml 3.1 kB	Download
------------------------	-------------	---------------	----------

286-896 doc - Datei	2015 Apr 1	doc 24.6 kB	Download
------------------------	------------	----------------	----------

Instruction Leaflet

		pdf 1.3 MB	Download
--	--	---------------	----------

Additional Information

Disposal and Recycling Electrical and electronic equipment, Batteries, Packaging	V 1.1.0 2022 Aug 18	pdf 2.2 MB	Download
---	------------------------	---------------	----------

CAD/CAE-Data

CAD data

2D/3D Models 286-896	URL	Download
----------------------	-----	----------

CAE data

WSCAD Universe 286-896	URL	Download
------------------------	-----	----------

ZUKEN Portal 286-896	URL	Download
----------------------	-----	----------

Environmental Product Compliance

Compliance Search

Environmental Product Compliance 286-896	URL	Download
--	-----	----------

Subject to changes. Please also observe the further product documentation!

Data sheet | Item number: 286-896

www.wago.com/286-896



Switching module; with momentary switch; Switching voltage: 250 VAC; Switching current: 6 A; gray

Installation Notes

Subject to changes. Please also observe the further product documentation!

WAGO GmbH & Co. KG
Hansastr. 27
32423 Minden
Phone: +49571 887-0 | Fax: +49571 887-169
Email: info.de@wago.com | Web: www.wago.com

Do you have any questions about our products?
We are always happy to take your call at +49 (571) 887-44222.