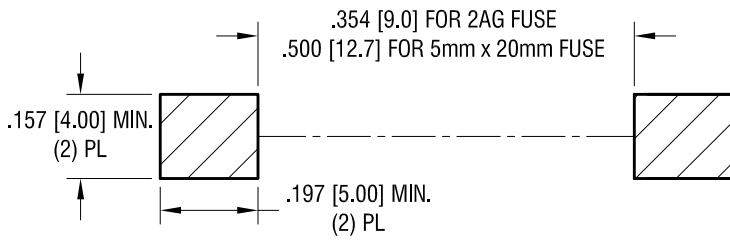
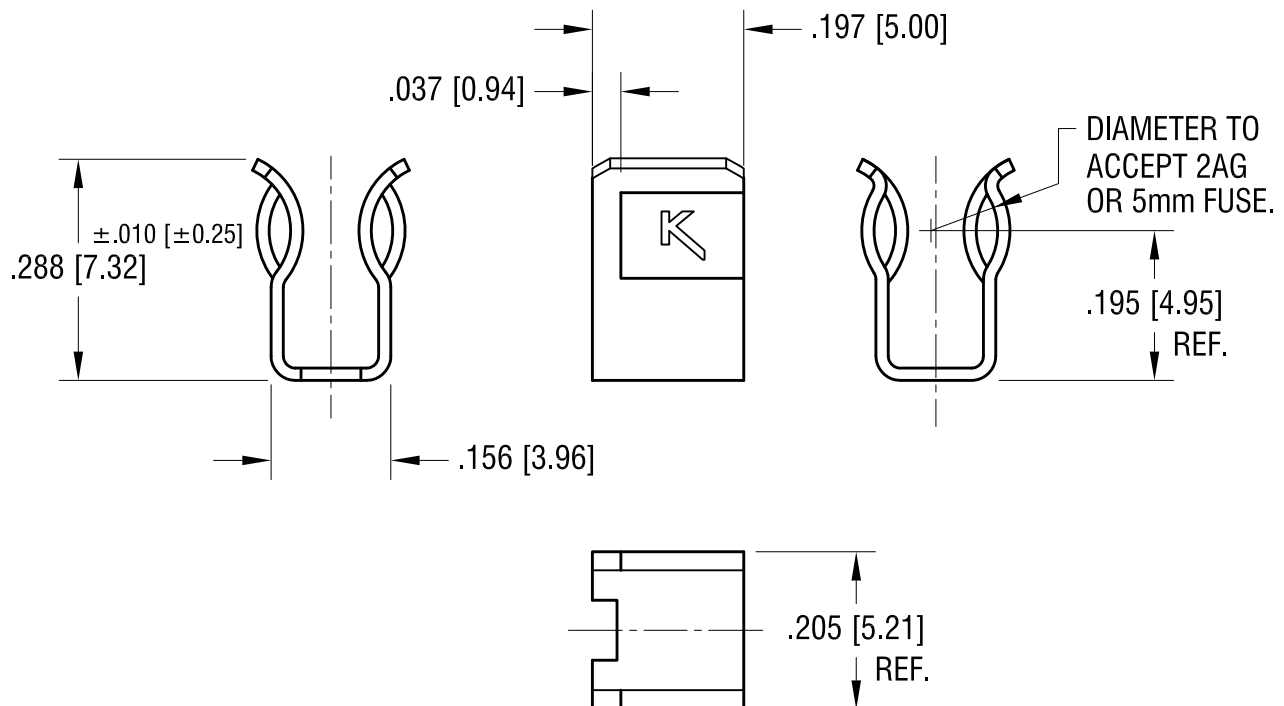


**PAD LAYOUT**



THIS DOCUMENT IS THE PROPERTY OF KEYSTONE ELECTRONICS CORP. AND SHALL NOT BE REPRODUCED, DISTRIBUTED OR USED AS A BASIS FOR MANUFACTURE WITHOUT PRIOR WRITTEN PERMISSION FROM KEYSTONE ELECTRONICS CORP.

**ACTUAL SIZE**



**KEY** FILE NUMBER: E354010

9.22.16	CHANGE AS PER ECN 16-087	E
9.12.12	CHANGE AS PER ECN 12-138	D
12.08.10	CHANGE AS PER ECN 10-08	C
6.08.09	CHANGE AS PER ECN 09-053	B
2.28.08	CHANGE AS PER ECN 08-091	A
DATE	DESCRIPTION	REV.

<b>KEYSTONE ELECTRONICS CORP.</b>			
www.keyelco.com • NEW HYDE PARK NY 11040 • Tel (516)328-7500			
PART NAME <b>2AG/5mm SURFACE MOUNT FUSE CLIP</b>			
MATERIAL <b>.016 [0.40] TH'K BRASS</b>			
FINISH <b>MATTE TIN PLATE</b>		DRN BY <b>BOONE</b>	DATE <b>4.02.98</b>
		APP'D <b>MR</b>	SCALE <b>4X</b>
TOLERANCES	INCH [MM]	CODE	DWG NO.
DECIMAL	<b>± .005 [± 0.13]</b>	<b>C</b>	<b>3561</b>
ANGULAR	<b>± 1°</b>		
UNLESS OTHERWISE SPECIFIED			