



molded case switch 3VA5 UL frame 250 max short-circuit curr. rating 65kA @ 480 V 3-pole MCS110, In=250A without overload protection SELF PROTECTION Ii=10 x In AI-lug, line side

Model	
product brand name	SENTRON
product designation	Molded-case circuit breaker
product designation / according to UL file	HFAS
Product version	Molded case switch
design of the load switch / according to UL 489 / Heating, Air Conditioning, and Refrigeration circuit breaker (HACR Type)	Yes
design of the load switch / according to UL 489 / High-Intensity-Discharge circuit breaker (HID Type)	No
design of the load switch / according to UL 489 / Switching Duty circuit breaker (SWD Type)	No
design of the overcurrent release	MCS110
protection function of the overcurrent release	I
number of poles	3
General technical data	
rated insulation voltage Ui	800 V
Max. rated operational voltage Ue with DC	750 V
operating voltage / at AC / rated value	690 V
power loss [W] / maximum	54.4 W
Active power loss / for rated value of the current / at AC / in hot operating state / per pole	18.13 W
mechanical service life (switching cycles) / typical	20 000
Electrical endurance (switching cycles) / at AC-1 / at 380/415 V 50/60 Hz	8 000
Electrical endurance (switching cycles) / at AC-1 / at 690 V 50/60 Hz	4 000
electrical endurance (switching cycles) / at 480 V	8 000
electrical endurance (switching cycles) / at 600 V	4 000
Neutral conductors / upgradeable/retrofitable	No
ground-fault monitoring version	without
product function	
• communication function	No
• other measurement function	No
Net Weight	2200 g
Current	
marking / according to UL 489 / 100%-rated breaker	No
operational current	
• at 40 °C	250 A
• at 45 °C	244 A
• at 50 °C	239 A

- at 55 °C
- at 60 °C
- at 65 °C
- at 70 °C

233 A
227 A
222 A
216 A

Switching capacity according to IEC 60947

design of short-circuit protection

For switching power values in DC networks, see the 3VA molded case circuit breaker device manual; link to be found under Service & Support in the last chapter

Adjustable parameters

Ground fault protection / tripping switchable / I2t=ON/OFF

No

Mechanical Design

height [in]

7.28 in

Height

185 mm

width [in]

4.13 in

Width

105 mm

depth [in]

3.27 in

depth

83 mm

Connections

arrangement of electrical connectors / for main current circuit

Front connection

type of electrical connection / for main current circuit

line-side circular conductor terminal

Type of connectable conductor cross-section, round conductor terminal, stranded

1 x (6 AWG - 350 kcmil)

design of the surface / of the connections / on the bottom of the switch (N, 2, 4, 6)

silver

Auxiliary circuit

product component

- undervoltage release
- voltage trigger
- trip indicator

No

No

No

number of CO contacts / for auxiliary contacts

0

Accessories

product extension / optional / motor drive

Yes

Environmental conditions

protection class IP / on the front

IP40

ambient temperature

- during operation / minimum
- during operation / maximum
- during storage / minimum
- during storage / maximum

-25 °C

70 °C

-40 °C

80 °C

Certificates

reference code / according to IEC 81346-2

Q

certificate of suitability / as approval for NAVAL (no combat vessels) / supplement SB

Yes

General Product Approval

EMC

Declaration of Conformity



[Confirmation](#)



Marine / Shipping

other



[Miscellaneous](#)

Further information

Information- and Downloadcenter (Catalogs, Brochures,...)

<http://www.siemens.com/lowvoltage/catalogs>

Industry Mall (Online ordering system)

<https://mall.industry.siemens.com/mall/en/en/Catalog/product?mlfb=3VA5225-0BB35-0AA0>

Service&Support (Manuals, Certificates, Characteristics, FAQs,...)

<https://support.industry.siemens.com/cs/ww/en/ps/3VA5225-0BB35-0AA0>

Image database (product images, 2D dimension drawings, 3D models, device circuit diagrams, ...)

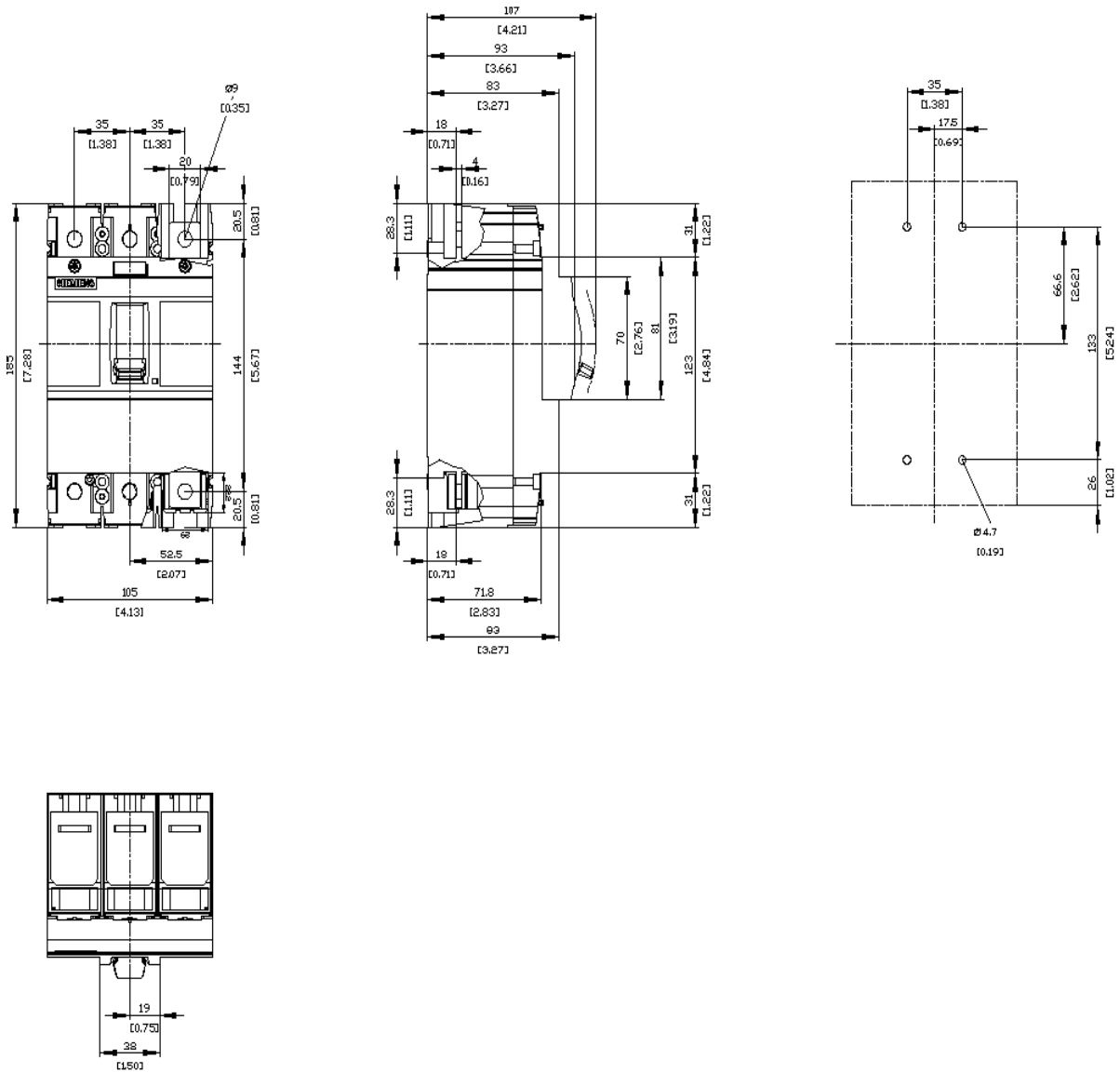
http://www.automation.siemens.com/bilddb/cax_en.aspx?mlfb=3VA5225-0BB35-0AA0

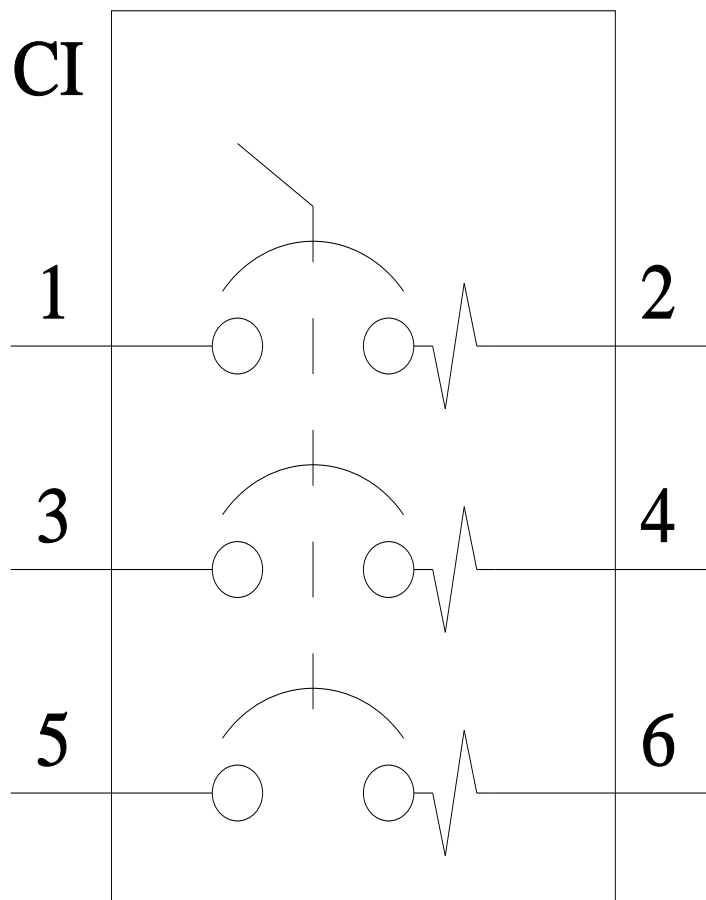
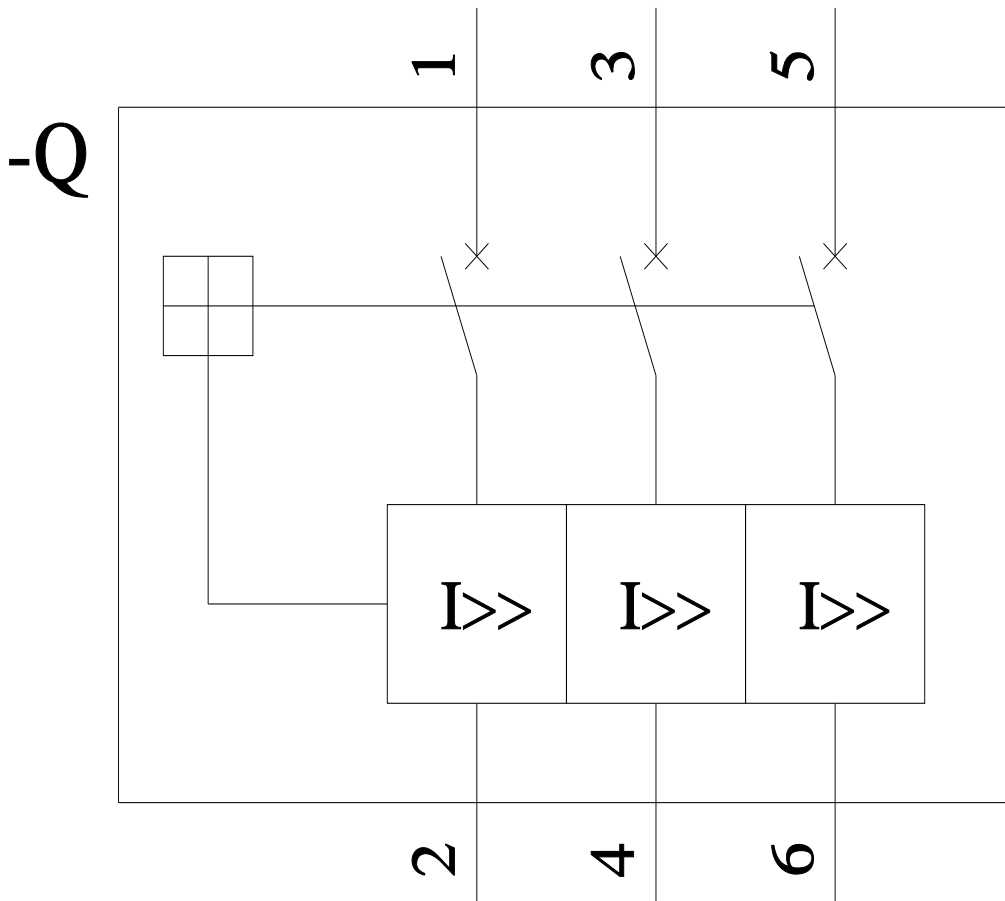
CAX-Online-Generator

<http://www.siemens.com/cax>

Tender specifications

<http://www.siemens.com/specifications>





last modified:

7/15/2022

