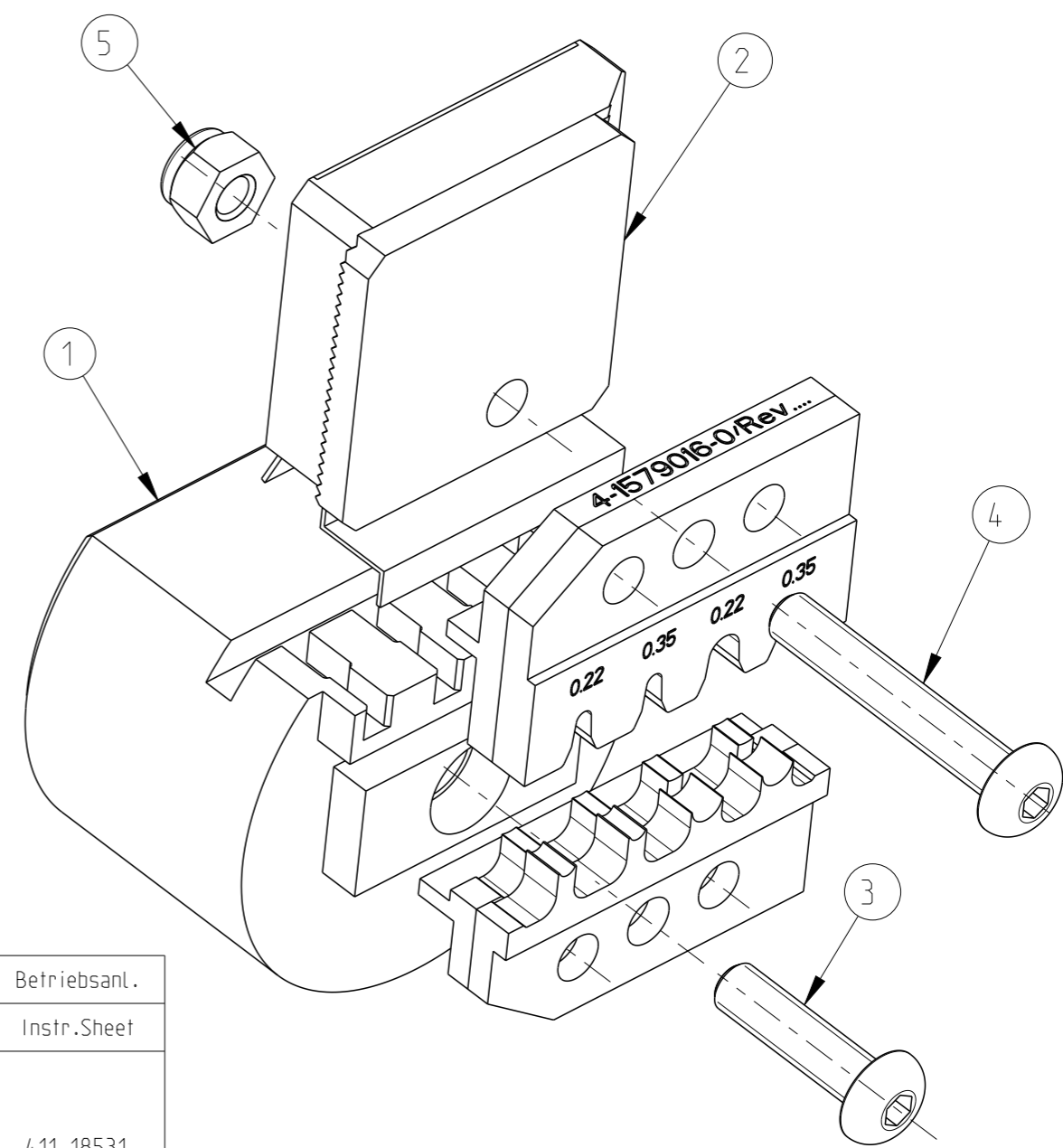


THIS DRAWING IS UNPUBLISHED. RELEASED FOR PUBLICATION 20
 © COPYRIGHT 20 BY - ALL RIGHTS RESERVED.


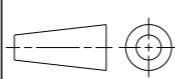
LOC	DIST	REVISIONS			
P	LTR	DESCRIPTION	DATE	DWN	APVD
A1	-	A	INITIAL RELEASE	22AUG2012	wi wi

Matrize in Kombination mit Ergocrimp Basishandzange PN 539635-1 verwenden
 Use die in combination with Ergocrimp basis hand tool PN 539635-1

4-1579016-0 im Lieferumfang	1	411-18531	Instruction Sheet	Bedienungsanleitung	6
	1	0-0519024-2	Nut M4 DIN 985	Mutter M4 DIN 985	5
	1	1-0519151-3	Screw M4x25	Schraube M4x25	4
	1	1-0519151-1	Screw M4x16	Schraube M4x16	3
	1	1-1579023-3	Locator Assembly	Drahtanschlag	2
	1	1-1579023-2	Contact Locator	Kontaktpositionierer	1
	QTY Stck	PN	Description	Benennung	Pos.



Kontakt	AWG (mm ²)	Drahtcrimp / Wire Crimp		Isolationscrimp/Insulationcrimp		Isol.Ø	Betriebsanl.
Contact	Wire Range	Hoehe/Height mm	Breite/Width mm	Hoehe/Height mm	Breite/Width mm	Ins.Range	Instr.Sheet
1564981	0.22	0.80 ±0.03	1.4 F	1.78 ±0.1	1.78 0	1.1-1.4	411-18531
	0.35	0.87 ±0.03		1.78 ±0.1			
1564325	0.22	0.80 ±0.03	1.4 F	3.18 ±0.1	3.18 0		
	0.35	0.87 ±0.03		3.18 ±0.1			

THIS DRAWING IS A CONTROLLED DOCUMENT.		DWN C.Witt	22AUG2012	 TE Connectivity
DIMENSIONS: mm		CHK C.Witt	22AUG2012	
		TOLERANCES UNLESS OTHERWISE SPECIFIED:		NAME ERGOCRIMP DIE SET MCP 1.5K ERGOCRIMP MATRIZE MCP 1.5K
MATERIAL -		FINISH -		APVD - PRODUCT SPEC - APPLICATION SPEC - WEIGHT 200 g
				SIZE A3 CAGE CODE 00779 DRAWING NO C-4-1579016-0 RESTRICTED TO -
				CUSTOMER DRAWING SCALE 2:1 SHEET 1 OF 1 REV A